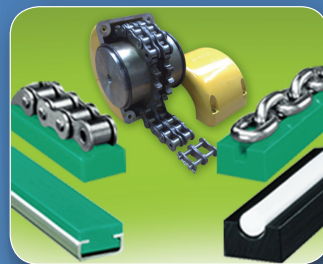
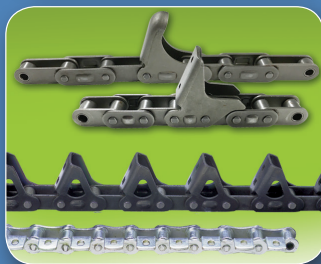
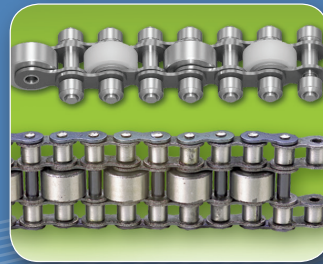




A - Transmission roller chains

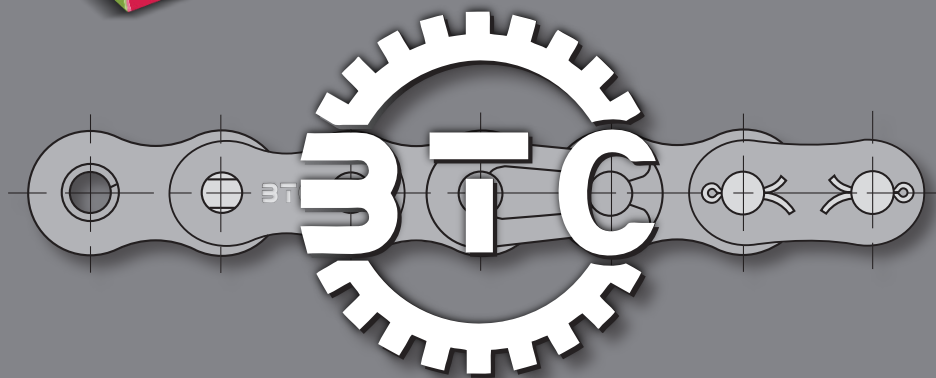


www.bogaert-transmission.com





QUALITY CHAIN





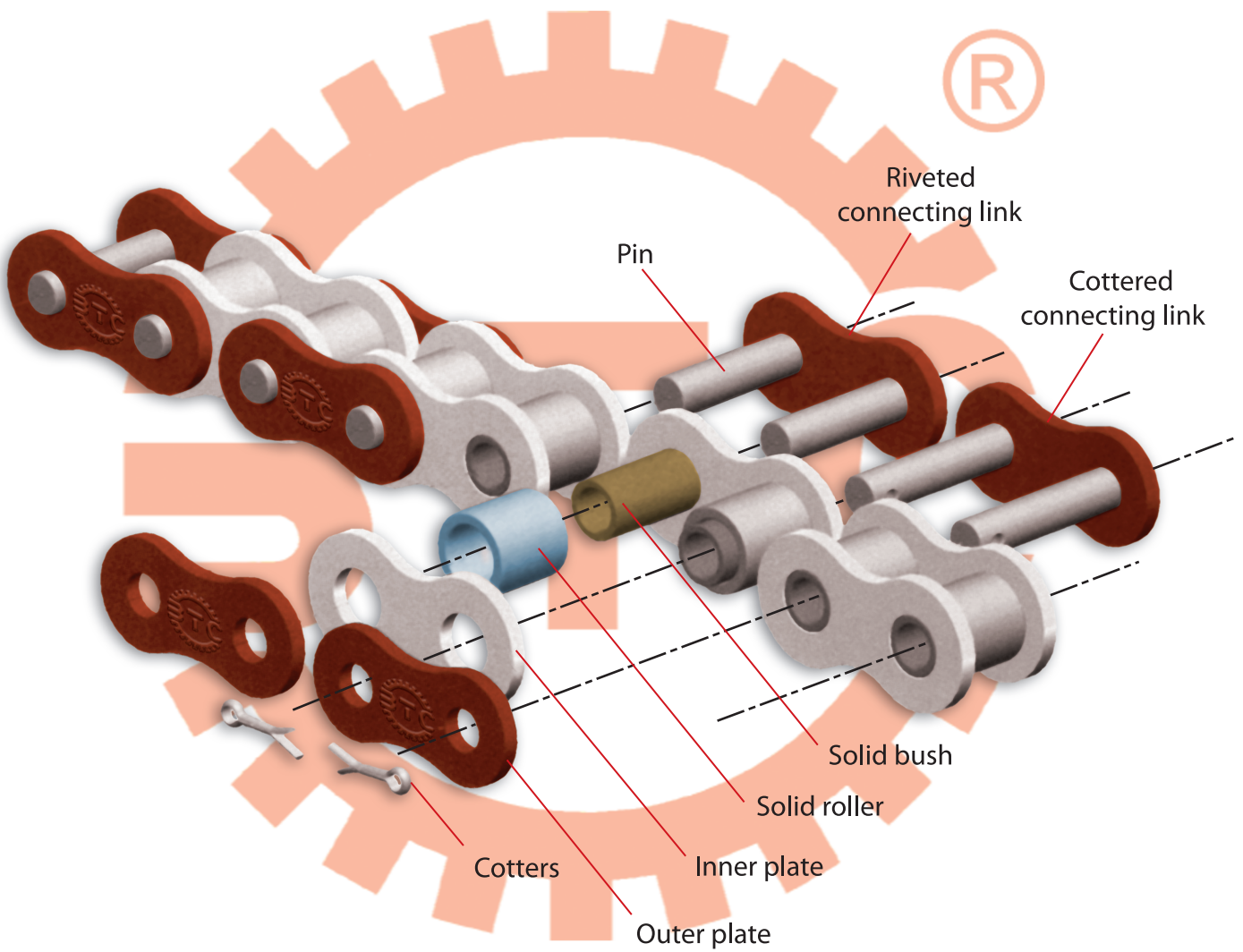
A - Transmission roller chains

· Chain parts & connecting parts	A2 - A3
· Roller chain European standard DIN 8187 - ISO606	A4 - A8
· Roller chain American standard DIN 8188 - ISO606	A9 - A14
· Super heavy duty roller chains DIN 8188 - HSP	A15
· Self-lubrication roller chains - DIN 8187 / 8188 - SLR	A16
· Zinc plated roller chains - ZP	A17
· Nickel plated roller chains - NP	A18
· Special corrosion coated roller chains - DR	A19
· Different types of slides and guides	A20
· Roller chains with special attachments	A21 - A29
· Roller chains with extended pins	A30
· Double pitch roller chains standard and with attachments	A31 - A37
· Stainless steel roller chains DIN 8187 / 8188 - ISO 606 - SS	A38 - A39
· Double pitch stainless steel chains - SS	A40 - A41
· Hollow pin bushing chains	A42 - A43
· Hollow pin roller chains	A44 - A45
· Hollow pin stainless steel chains	A46 - A47
· Vulcanised (elastomere) roller chains	A48 - A50
· Roller chains with U-type attachments	A51
· Side bow chains	A52
· Bushing chains DIN 8164	A53
· Lock chains (Gall type) DIN 8150 / 8151	A54 - A55
· Hoisting rollerless chain DIN 8188 - ISO 606	A56
· Accumulation roller chains	A57 - A58
· O-ring chains and P.I.V. chains	A59
· Rotary chains	A60 - A61
· Sharp top chains (European & American standard)	A62 - A65
· Leaf chain (DIN 8152)	A66 - A74
· Tightener bolts & blocks with roller chains	A75
· Agricultural chains type S - CA - 38.4	A76 - A86
· Chain couplings type RC40 - RC120	A87 - A88
· Torque limiter couplings type LC-1 / LC-2	A89 - A90
· Chain tools, lubrication, etc...	A91 - A92
· Technical information	A93 - A96
· Murtfeldt	A97 - A128





Roller chain structure



Better Technology Chains

Chain parts and connecting parts of roller chains



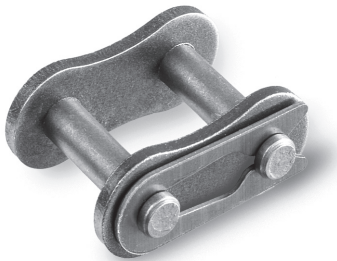
RL
Roller link or inner link



RCL
Pin link
Press-fit



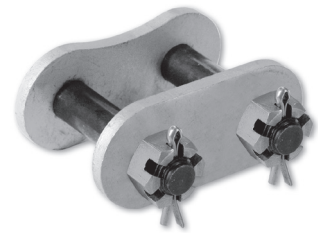
SP
Sideplate
Press-fit or slip-fit



SCL
Connecting link with spring clip.
Slip-fit



CCL
Connecting link with cotter.
Slip-fit



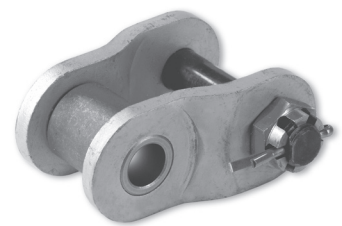
CCLM
Screwed connecting link



OL
One-pitch offset link with cotter



OLRL
Two-pitch offset link

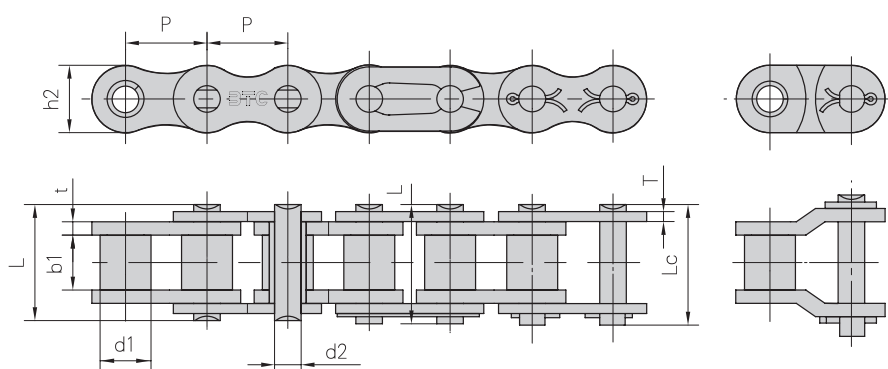


OLM
Screwed offset link

High precision roller chains DIN 8187

ISO 606 - European standard

Simplex



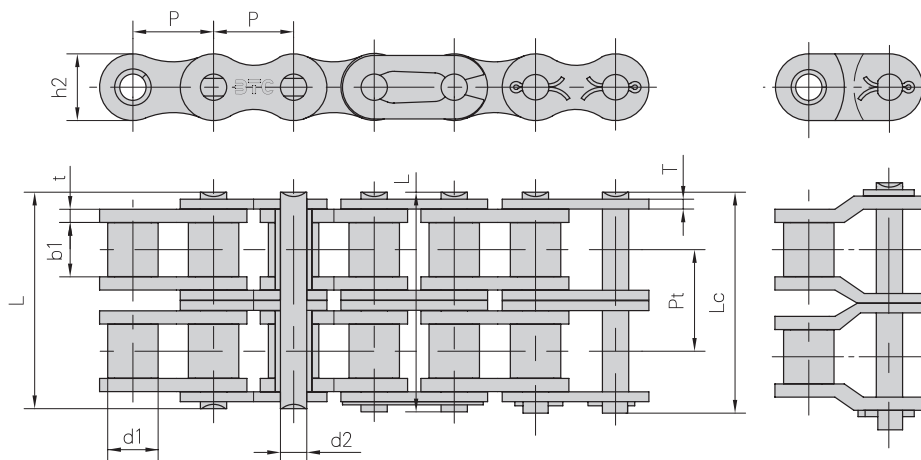
Ref.	Pitch	Roller diameter	Width between inner plates	Pin diameter	Pin length		Inner plate depth	Plate thickness	Ultimate tensile strength	Average tensile strength	Weight per meter
	P	d1 max	b1 min	d2 max	L max	Lc max	h2 max	t/T max	Q min	Q0	q
	mm	mm	mm	mm	mm	mm	mm	mm	kN/LB	kN	kg/m
04-1	6,00	4,00	2,80	1,85	6,80	7,8	5,00	0,60	3,0/682	3,2	0,11
05B-1	8,00	5,00	3,00	2,31	8,20	8,9	7,10	0,80	5,0/1136	5,9	0,20
*06B-1	9,525	6,35	5,72	3,28	13,15	14,1	8,20	1,30	9,0/2045	10,4	0,41
08B-1	12,70	8,51	7,75	4,45	16,70	18,2	11,80	1,60	18,0/4091	19,4	0,69
10B-1	15,875	10,16	9,65	5,08	19,50	20,9	14,70	1,70	22,4/5091	27,5	0,93
12B-1	19,05	12,07	11,68	5,72	22,50	24,2	16,00	1,85	29,0/6591	32,2	1,15
16B-1	25,40	15,88	17,02	8,28	36,10	37,4	21,00	4,15/3,1	60,0/13636	72,8	2,71
20B-1	31,75	19,05	19,56	10,19	41,30	45,0	26,40	4,5/3,5	95,0/21591	106,7	3,70
24B-1	38,10	25,40	25,40	14,63	53,40	57,8	33,20	6,0/4,8	160,0/36364	178,0	7,10
28B-1	44,45	27,94	30,99	15,90	65,10	69,5	36,70	7,5/6,0	200,0/45455	222,0	8,50
32B-1	50,80	29,21	30,99	17,81	66,00	71,0	42,00	7,0/6,0	250,0/56818	277,5	10,25
40B-1	63,50	39,37	38,10	22,89	82,20	89,2	52,96	8,5/8,0	355,0/80682	394,0	16,35
48B-1	76,20	48,26	45,72	29,24	99,10	107,0	63,80	12,0/10,0	560,0/127272	621,6	25,00
56B-1	88,90	53,98	53,34	34,32	114,6	123,0	77,80	13,5/12,0	850,0/193180	940,0	35,78
64B-1	101,60	63,50	60,96	39,40	130,0	138,5	90,17	15,0/13,0	112,0/254544	1240,0	46,00
72B-1	114,30	72,39	68,58	44,48	147,4	156,4	103,60	17,0/15,0	1400,0/318180	1550,0	60,80

* Straight side plates

High precision roller chains DIN 8187

ISO 606 - European standard

Duplex

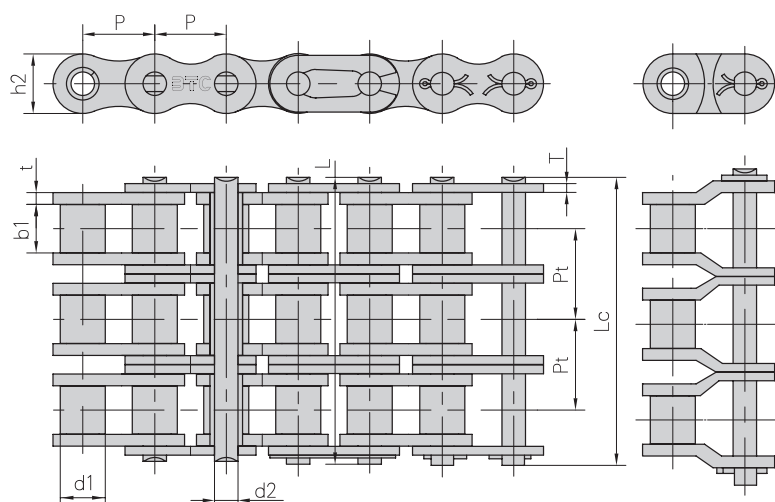


ISO Ref.	Pitch	Roller diameter	Width between inner plates	Pin diameter	Pin length		Inner plate depth	Plate thickness	Transverse pitch	Ultimate tensile strength	Average tensile strength	Weight per meter
	P	d1 max	b1 min	d2 max	L max	Lc max	h2 max	t/T max	Pt	Q min	Q0	q
	mm	mm	mm	mm	mm	mm	mm	mm	mm	kN/LB	kN	kg/m
05B-2	8,000	5,00	3,00	2,31	13,9	14,5	7,10	0,80	5,64	7,8/1773	10,2	0,33
*06B-2	9,525	6,35	5,72	3,28	23,4	24,4	8,20	1,30	10,24	16,9/3841	18,7	0,77
08B-2	12,700	8,51	7,75	4,45	31,2	32,2	11,80	1,60	13,92	32,0/7273	38,7	1,34
10B-2	15,875	10,16	9,65	5,08	36,1	37,5	14,70	1,70	16,59	44,5/10114	56,2	1,84
12B-2	19,050	12,07	11,68	5,72	42,0	43,6	16,00	1,85	19,46	57,8/13136	66,1	2,31
16B-2	25,400	15,88	17,02	8,28	68,0	69,3	21,00	4,15/3,1	31,88	106,0/24091	133,0	5,42
20B-2	31,750	19,05	19,56	10,19	77,8	81,5	26,40	4,5/3,5	36,45	170,0/38636	211,2	7,20
24B-2	38,100	25,40	25,40	14,63	101,7	106,2	33,20	6,0/4,8	48,36	280,0/63636	319,2	13,40
28B-2	44,450	27,94	30,99	15,90	124,6	129,1	36,70	7,5/6,0	59,56	360,0/81818	406,8	16,60
32B-2	50,800	29,21	30,99	17,81	124,6	129,6	42,00	7,0/6,0	58,55	450,0/102273	508,5	21,00
40B-2	63,500	39,37	38,10	22,89	154,5	161,5	52,96	8,5/8,0	72,29	630,0/143182	711,9	32,00
48B-2	76,200	48,26	45,72	29,24	190,4	198,2	63,80	12,0/10,0	91,21	1000,0/227272	1130,0	50,00
56B-2	88,900	53,98	53,34	34,32	221,2	229,6	77,80	13,5/12,0	106,60	1600,0/363635	1760,0	71,48
64B-2	101,600	63,50	60,96	39,40	249,9	258,4	90,17	15,0/13,0	119,89	2000,0/454544	2200,0	91,00
72B-2	114,300	72,39	68,58	44,48	283,7	292,7	103,60	17,0/15,0	136,27	2500,0/568180	2750,0	120,40

* Straight side plates

High precision roller chains DIN 8187 ISO 606 - European standard

Triplex

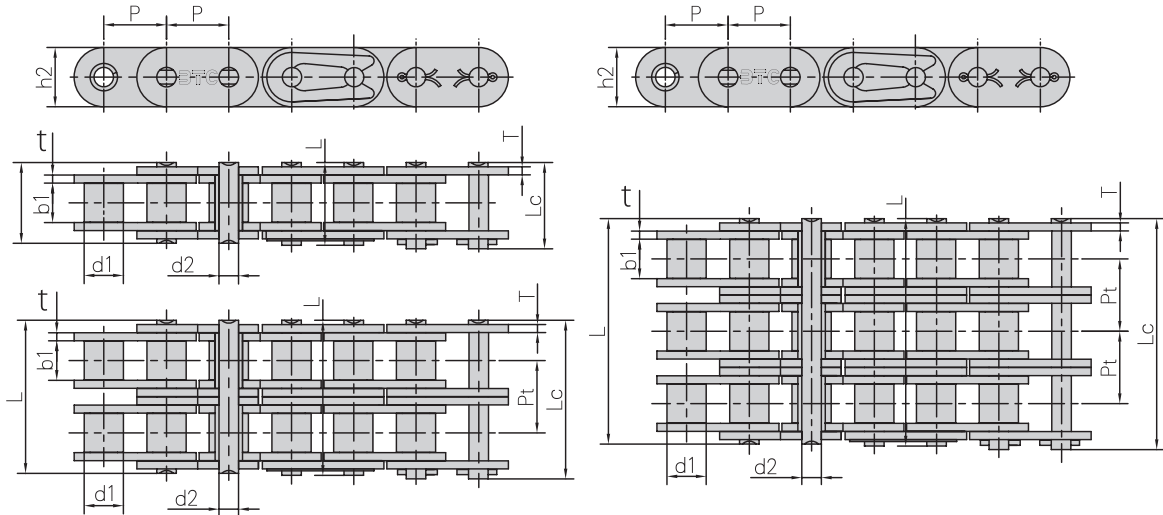


ISO Ref.	Pitch	Roller diameter	Width between inner plates	Pin diameter	Pin length		Inner plate depth	Plate thickness	Transverse pitch	Ultimate tensile strength	Average tensile strength	Weight per meter
	P	d1 max	b1 min	d2 max	L max	Lc max	h2 max	t/T max	Pt	Q min	Q0	q
	mm	mm	mm	mm	mm	mm	mm	mm	mm	kN/LB	kN	kg/m
05B-3	8,000	5,00	3,00	2,31	19,5	20,2	7,10	0,80	5,64	11,1/2523	13,8	0,48
*06B-3	9,525	6,35	5,72	3,28	33,5	34,6	8,20	1,30	10,24	24,9/5659	30,1	1,16
08B-3	12,700	8,51	7,75	4,45	45,1	46,1	11,80	1,60	13,92	47,5/10795	57,8	2,03
10B-3	15,875	10,16	9,65	5,08	52,7	54,1	14,70	1,70	16,59	66,7/15159	84,5	2,77
12B-3	19,050	12,07	11,68	5,72	61,5	63,1	16,00	1,85	19,46	86,7/19705	101,8	3,46
16B-3	25,400	15,88	17,02	8,28	99,8	101,2	21,00	4,15/3,1	31,88	160,0/36364	203,7	8,13
20B-3	31,750	19,05	19,56	10,19	114,2	117,9	26,40	4,5/3,5	36,45	250,0/56818	290,0	10,82
24B-3	38,100	25,40	25,40	14,63	150,1	154,6	33,20	6,0/4,8	48,36	425,0/96591	493,0	20,10
28B-3	44,450	27,94	30,99	15,90	184,2	188,7	36,70	7,5/6,0	59,56	530,0/120454	609,5	24,92
32B-3	50,800	29,21	30,99	17,81	183,2	188,2	42,00	7,0/6,0	58,55	670,0/152273	770,5	31,56
40B-3	63,500	39,37	38,10	22,89	226,8	233,8	52,96	8,5/8,0	72,29	950,0/215909	1092,5	48,10
48B-3	76,200	48,26	45,72	29,24	281,6	289,4	63,80	12,0/10,0	91,21	1500,0/340909	1710,0	75,00
56B-3	88,900	53,98	53,34	34,32	327,8	336,2	77,80	13,5/12,0	106,60	2240,0/545450	2240,0	107,18
64B-3	101,60	63,50	60,96	39,40	369,8	378,3	90,17	15,0/13,0	119,89	3000,0/681820	3300,0	136,00
72B-3	114,30	72,39	68,58	44,48	420,0	429,0	103,60	17,0/15,0	136,27	3750,0/852270	4125,0	180,00

* Straight side plates

Straight side plates roller chains DIN 8187 ISO 606 - European standard

Simplex, Duplex and Triplex

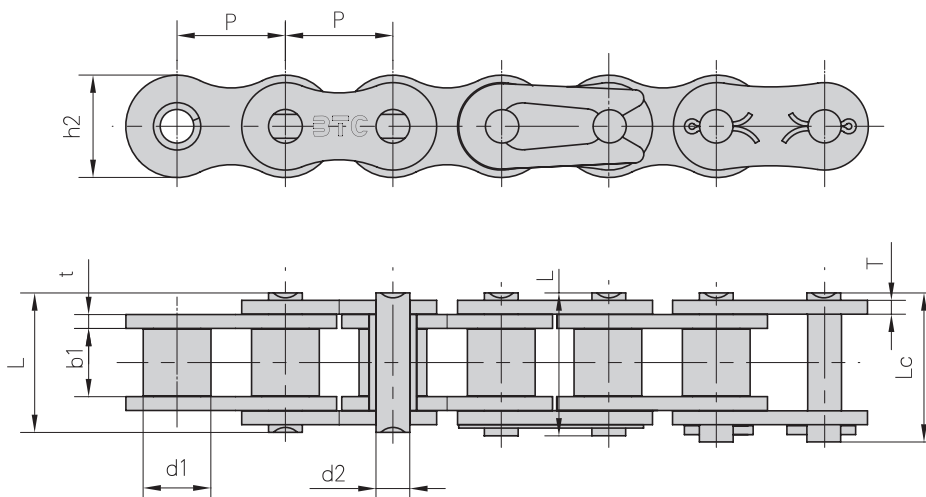



DIN Ref.	Pitch	Roller diameter	Width between inner plates	Pin diameter	Pin length		Inner plate height	Plate thickness	Transverse pitch	Ultimate tensile strength	Average tensile strength	Weight per meter
	P	d1 max	b1 min	d2 max	L max	Lc max	h2 max	t/T max	Pt	FB min.	FBA	q
	mm	mm	mm	mm	mm	mm	mm	mm	mm	kN/LB	kN	kg/m
GL08B-1	12,700	8,51	7,75	4,45	16,7	18,2	11,8	1,60		18,0/4091	19,5	0,80
GL10B-1	15,875	10,16	9,65	5,08	19,5	20,9	14,7	1,70		22,4/5091	27,9	1,06
GL12B-1	19,050	12,07	11,68	5,72	22,5	25,2	16,0	1,85		29,0/6591	32,2	1,32
GL16B-1	25,400	15,88	17,02	8,28	36,1	39,1	21,0/24,0	4,15/3,1		60,0/13636	72,8	3,08/3,49
GL20B-1	31,750	19,05	19,56	10,19	41,3	45,0	26,4	4,5/3,5		95,0/21591	106,7	4,16
GL24B-1	38,100	25,40	25,40	14,63	53,4	57,8	33,2	6,0/4,8		160,0/36364	178,0	7,47
GL28B-1	44,450	27,94	30,99	15,90	65,1	69,5	36,7	7,5/6,0		200,0/45455	222,0	9,90
GL32B-1	50,800	29,21	30,99	17,81	66,0	71,0	42,0	7,0/6,0		250,0/56818	277,5	10,45
GL08B-2	12,700	8,51	7,75	4,45	31,2	32,2	11,8	1,60	13,92	32,0/7273	38,7	1,45
GL10B-2	15,875	10,16	9,65	5,08	36,1	37,5	14,7	1,70	16,59	44,5/10114	57,8	2,00
GL12B-2	19,050	12,07	11,68	5,72	42,0	44,7	16,0	1,85	19,46	57,8/13136	66,1	2,62
GL16B-2	25,400	15,88	17,02	8,28	68,0	71,0	21,0/24,0	4,15/3,1	31,88	106,0/24091	133,0	6,10/6,92
GL20B-2	31,750	19,05	19,56	10,19	77,8	81,5	26,4	4,5/3,5	36,45	170,0/38636	211,2	8,23
GL24B-2	38,100	25,40	25,40	14,63	101,7	106,2	33,2	6,0/4,8	48,36	280,0/63636	319,2	14,77
GL28B-2	44,450	27,94	30,99	15,90	124,6	129,1	36,7	7,5/6,0	59,56	360,0/81818	406,8	19,82
GL32B-2	50,800	29,21	30,99	17,81	124,6	129,6	42,0	7,0/6,0	58,55	450,0/102273	508,5	20,94
GL08B-3	12,700	8,51	7,75	4,45	45,1	46,1	11,8	1,60	13,92	47,5/10795	57,8	2,10
GL10B-3	15,875	10,16	9,65	5,08	52,7	54,1	14,7	1,70	16,59	66,7/15159	84,5	2,87
GL12B-3	19,050	12,07	11,68	5,72	61,5	64,2	16,0	1,85	19,46	86,7/19705	101,8	3,89
GL16B-3	25,400	15,88	17,02	8,28	99,8	102,9	21,0/24,0	4,15/3,1	31,88	160,0/36364	203,7	9,12/10,34
GL20B-3	31,750	19,05	19,56	10,19	114,2	117,9	26,4	4,5/3,5	36,45	250,0/56818	290,0	11,34
GL24B-3	38,100	25,40	25,40	14,63	150,1	154,6	33,2	6,0/4,8	48,36	425,0/96591	493,0	22,10
GL28B-3	44,450	27,94	30,99	15,90	184,2	188,7	36,7	7,5/6,0	59,56	530,0/120454	609,5	29,64
GL32B-3	50,800	29,21	30,99	17,81	183,2	188,2	42,0	7,0/6,0	58,55	670,0/152273	770,5	31,27



High precision roller chains - DIN 8187 ISO 606 - European standard

Heavy duty



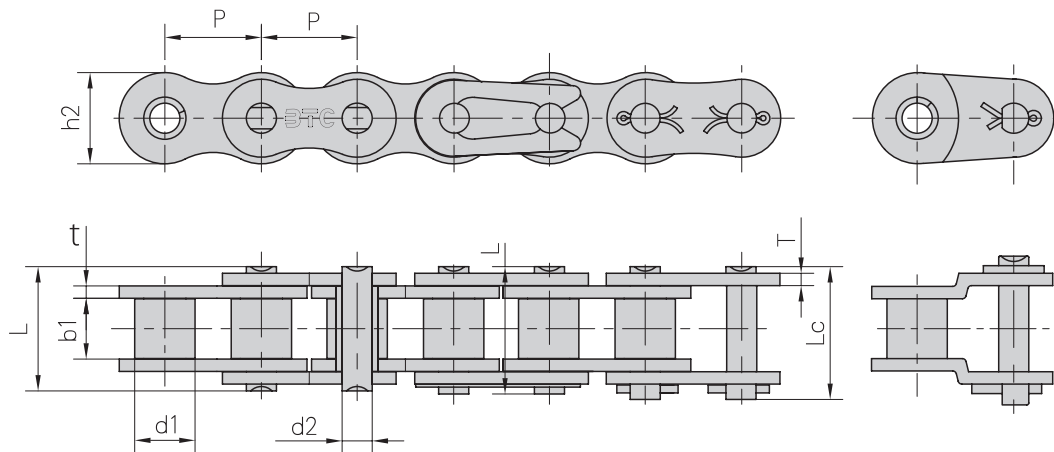
Chain Nr. 	Pitch	Roller diameter	Width between inner plates	Pin diam.	Pin length		Inner plate height	Plate Thickness	Ultimate tensile strength	Average tensile strength	Weight per meter
	P	d1 max	b1 max	d2 max	L max	Lc max	h2 max	t/T max	F_B min.	F_{BA}	q
	mm	mm	mm	mm	mm	mm	mm	mm	kN/LB	kN	kg/m
04BH	6,00	4,00	2,80	1,85	8,4	9,40	5,00	0,90	5,00/1136	5,3	0,14
453	9,525	6,00	3,30	2,78	9,6	12,70	9,00	1,08	7,2/1637	8,2	0,26
454	9,525	6,35	3,94	3,28	11,6	14,90	9,00	1,38	8,25/1875	9,4	0,36
081/331	12,70	7,75	3,30	3,66	10,2	11,70	9,90	1,25	8,00/1818	9,1	0,28
082/110	12,70	7,75	2,38	3,66	8,2	9,70	9,90	1,11	8,80/2000	10,0	0,26
083/415B	12,70	7,75	4,88	4,09	12,9	14,40	10,30	1,30	12,00/2727	14,2	0,45
084	12,70	7,75	4,88	4,09	14,8	16,30	11,10	1,95	10,55/2398	12,0	0,60
085/41	12,70	7,77	6,38	3,58	14,0	16,00	9,90	1,35	10,12/2300	11,5	0,38
5L/332	12,70	7,75	4,88	3,66	11,2	12,70	9,90	1,16	8,00/1818	9,1	0,33
428HSH	12,70	8,51	7,94	4,45	20,0	21,45	11,80	2,03	20,60/4682	23,4	0,79
RE217/423	12,70	8,51	6,40	4,45	15,4	18,90	11,60	1,70	19,60/4455	21,9	0,71
RE317/520F3	15,875	10,16	6,48	5,08	17,5	19,00	15,09	2,03	26,50/6022	29,7	0,89
RE425/515	19,05	12,07	13,50	5,72	28,6	31,30	16,20	3,00	33,50/7615	37,5	1,60
RE480/12BV	19,05	12,07	11,68	6,10	24,5	26,50	16,00	2,42	40,00/9090	44,8	1,45
RE487	20,00	12,00	16,00	6,00	32,1	35,90	19,00	3,25	35,50/8070	39,8	2,00
HE488	20,00	12,00	16,00	8,00	32,5	37,30	19,00	3,25	35,50/8070	39,8	2,00
RE514	25,40	14,00	12,70	7,00	27,3	33,10	19,70	3,20	45,00/10230	49,9	1,74
RE516/16BF5	25,40	15,88	12,70	8,28	30,8	32,10	20,00	3,5/3,0	50,00/11364	57,5	2,37
RE519/16BH	25,40	15,88	17,02	8,90	35,7	38,90	24,10	4,0/3,1	80,00/18182	94,2	3,11
* RZ519	25,40	15,88	17,02	8,90	67,8	72,00	24,10	4,0/3,1	160,00/36370	179,2	6,25
RE525	25,40	12,70	12,70	7,00	27,4	32,50	20,80	3,10	45,00/10230	49,7	1,59
RE626/552	30,00	15,88	17,02	8,28	35,5	41,90	20,50	4,10	63,00/14320	70,5	2,33
20BH	31,75	19,05	19,56	10,19	45,6	49,50	26,20	5,6/4,5	124,00/28185	138,8	4,55
R38SH/24BH	38,10	25,40	25,40	14,63	58,6	63,40	36,20	7,5/6,0	225,00/51136	250,3	9,00
R44SH	44,45	27,94	30,99	15,90	66,3	71,10	40,80	8,5/7,0	270,00/61370	299,7	9,80

* Duplex heavy duty chain

High precision roller chains - DIN 8188

ANSI - American standard

Simplex



DIN Ref.	ANSI Ref.	Pitch	Roller diameter	Width between inner plates	Pin diameter		Pin length		Inner plate height	Plate thickness	Ultimate tensile strength	Average tensile strength	Weight per meter
					d1	d2	L	Lc					
					max	max	max	max					
		P	d1	b1	d2	L	Lc	h2	T	F _B	F _{BA}	q	
		mm	mm	mm	mm	mm	mm	mm	mm	kN/LB	kN	kg/m	
*03C	*15	4,763	2,48	2,38	1,62	6,10	6,90	4,30	0,60	1,80/409	2,0	0,08	
*04C-1	*25	6,350	3,30	3,18	2,31	7,90	8,40	6,00	0,80	3,50/795	4,6	0,15	
*06C-1	*35	9,525	5,08	4,77	3,58	12,40	13,17	9,00	1,30	7,90/1795	10,8	0,33	
085-1	41	12,700	7,77	6,25	3,58	13,75	15,00	9,91	1,30	6,67/1516	12,6	0,41	
08A-1	40	12,700	7,95	7,85	3,96	16,60	17,80	12,00	1,50	14,10/3205	17,5	0,62	
10A-1	50	15,875	10,16	9,40	5,08	20,70	22,20	15,09	2,03	22,20/5045	29,4	1,02	
12A-1	60	19,050	11,91	12,57	5,94	25,90	27,70	18,00	2,42	31,80/7227	41,5	1,50	
16A-1	80	25,400	15,88	15,75	7,92	32,70	35,00	24,00	3,25	56,70/12886	69,4	2,60	
20A-1	100	31,750	19,05	18,90	9,53	40,40	44,70	30,00	4,00	88,50/20114	109,2	3,91	
24A-1	120	38,100	22,23	25,22	11,10	50,30	54,30	35,70	4,80	127,00/28864	156,3	5,62	
28A-1	140	44,450	25,40	25,22	12,70	54,40	59,00	41,00	5,60	172,40/39182	212,0	7,50	
32A-1	160	50,800	28,58	31,55	14,27	64,80	69,60	47,80	6,40	226,80/51545	278,9	10,10	
36A-1	180	57,150	35,71	35,48	17,46	72,80	78,60	53,60	7,20	280,20/63682	341,8	13,45	
40A-1	200	63,500	39,68	37,85	19,85	80,30	87,20	60,00	8,00	353,80/80409	431,6	16,15	
48A-1	240	76,200	47,63	47,35	23,81	95,50	103,00	72,39	9,50	510,30/115977	622,5	23,20	

*Bushing chain: d1 in the table indicate the external diameter of the bushing

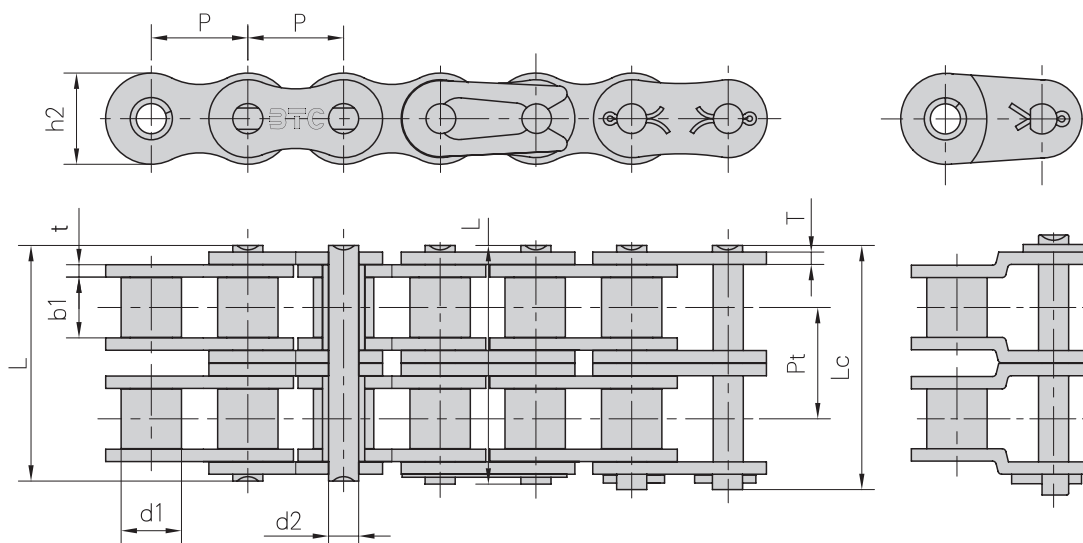
All these types are also available in cottered execution



High precision roller chains - DIN 8188

ANSI - American standard

Duplex



DIN Ref.	ANSI Ref.	Pitch	Roller diameter	Width between inner plates	Pin diameter		Pin length		Inner plate height	Plate thickness	Transverse pitch	Ultimate tensile strength	Average tensile strength	Weight per meter
					d1	d2	L	Lc						
					max	max	max	max						
		P	d1 min	b1 min	d2 max	L max	Lc max	h2 max	T max	Pt	F _B min.	F _{BA}	q	
		mm	mm	mm	mm	mm	mm	mm	mm	mm	kN/LB	kN	kg/m	
*04C-2	*25-2	6,350	3,30	3,18	2,31	14,5	15,0	6,00	0,80	6,40	7,00/1591	8,6	0,28	
*06C-2	*35-2	9,525	5,08	4,77	3,58	22,5	23,3	9,00	1,30	10,13	15,80/3591	19,7	0,63	
085-2	41-2	12,700	7,77	6,25	3,58	25,7	26,9	9,91	1,30	11,95	13,34/3032	16,9	0,81	
08A-2	40-2	12,700	7,95	7,85	3,96	31,0	32,2	12,00	1,50	14,38	28,20/6409	35,9	1,12	
10A-2	50-2	15,875	10,16	9,40	5,08	38,9	40,4	15,09	2,03	18,11	44,40/10091	58,1	2,00	
12A-2	60-2	19,050	11,91	12,57	5,94	48,8	50,5	18,00	2,42	22,78	63,60/14455	82,1	2,92	
16A-2	80-2	25,400	15,88	15,75	7,92	62,7	64,3	24,00	3,25	29,29	113,40/25773	141,8	5,15	
20A-2	100-2	31,750	19,05	18,90	9,53	76,4	80,5	30,00	4,00	35,76	177,00/40227	219,4	7,80	
24A-2	120-2	38,100	22,23	25,22	11,10	95,8	99,7	35,70	4,80	45,44	254,00/57727	314,9	11,70	
28A-2	140-2	44,450	25,40	25,22	12,70	103,3	107,9	41,00	5,60	48,87	344,80/78364	427,5	15,14	
32A-2	160-2	50,800	28,58	31,55	14,27	123,3	128,1	47,80	6,40	58,55	453,60/103091	562,4	20,14	
36A-2	180-2	57,150	35,71	35,48	17,46	138,6	144,4	53,60	7,20	65,84	560,50/127386	695,0	29,22	
40A-2	200-2	63,500	39,68	37,85	19,85	151,9	158,8	60,00	8,00	71,55	707,60/160818	877,4	32,24	
48A-2	240-2	76,200	47,63	47,35	23,81	183,4	190,8	72,39	9,50	87,83	1020,60/213955	1255,3	45,23	

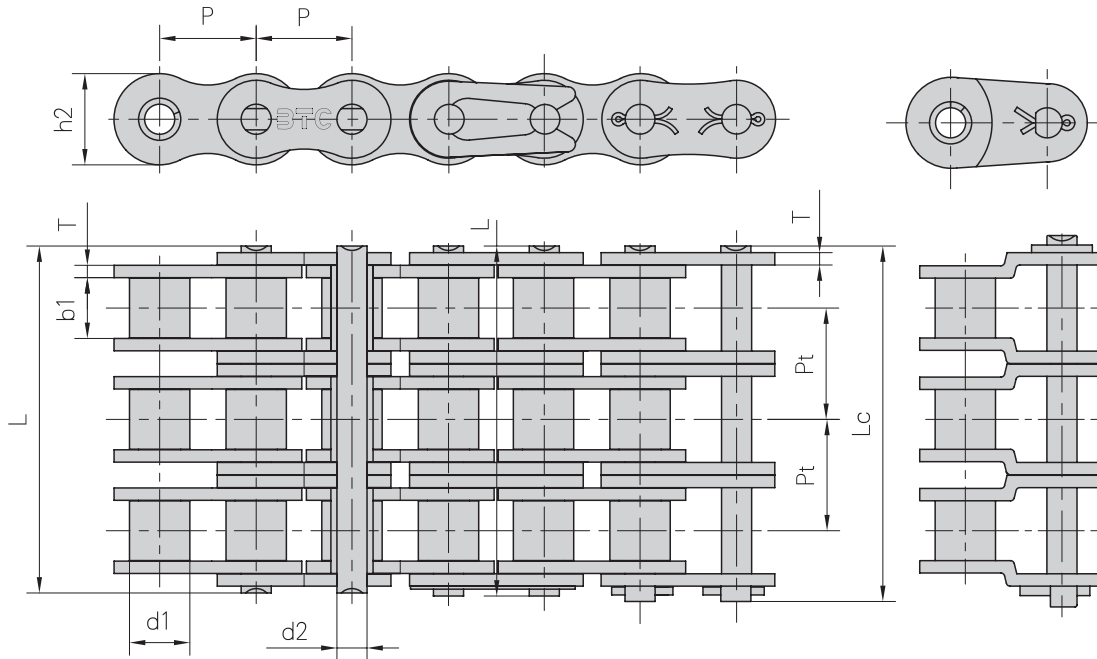
*Bushing chain: d1 in the table indicate the external diameter of the bushing

All these types are also available in cottered execution

High precision roller chains - DIN 8188

ANSI - American standard

Triplex



DIN Ref.	ANSI Ref.	Pitch	Roller diameter	Width between inner plates	Pin diameter	Pin length		Inner plate height	Plate thickness	Transverse pitch	Ultimate tensile strength	Average tensile strength	Weight per meter
						L	Lc						
						max	max						
		P	d1 max	b1 min	d2 max	L max	Lc max	h2 max	T max	Pt	F _B min.	F _{BA}	q
		mm	mm	mm	mm	mm	mm	mm	mm	mm	kN/LB	kN	kg/m
*04C-3	*25-3	6,350	3,30	3,18	2,31	21,0	21,5	6,00	0,80	6,40	10,5/2386	12,6	0,44
*06C-3	*35-3	9,525	5,08	4,77	3,58	32,7	33,5	9,00	1,30	10,13	23,7/5386	28,6	1,05
08A-3	40-3	12,700	7,95	7,85	3,96	45,4	46,6	12,00	1,50	14,38	42,3/9614	50,0	1,90
10A-3	50-3	15,875	10,16	9,40	5,08	57,0	58,5	15,09	2,03	18,11	66,6/15136	77,8	3,09
12A-3	60-3	19,050	11,91	12,57	5,94	71,5	73,3	18,00	2,42	22,78	95,4/21682	111,1	4,54
16A-3	80-3	25,400	15,88	15,75	7,92	91,7	93,6	24,00	3,25	29,29	170,1/38659	198,4	7,89
20A-3	100-3	31,750	19,05	18,90	9,53	112,2	116,3	30,00	4,00	35,76	265,5/60341	309,6	11,77
24A-3	120-3	38,100	22,23	25,22	11,10	141,4	145,2	35,70	4,80	45,44	381,0/86591	437,2	17,53
28A-3	140-3	44,450	25,40	25,22	12,70	152,2	156,8	41,00	5,60	48,87	517,2/117545	593,3	22,20
32A-3	160-3	50,800	28,58	31,55	14,27	181,8	186,6	47,80	6,40	58,55	680,4/154636	780,6	30,02
36A-3	180-3	57,150	35,71	35,48	17,46	204,4	210,2	53,60	7,20	65,84	840,7/191068	983,6	38,22
40A-3	200-3	63,500	39,68	37,85	19,85	223,5	230,4	60,00	8,00	71,55	1061,4/241227	1217,8	49,03
48A-3	240-3	76,200	47,63	47,35	23,81	271,3	278,6	72,39	9,50	87,83	1530,9/347932	1756,5	71,60

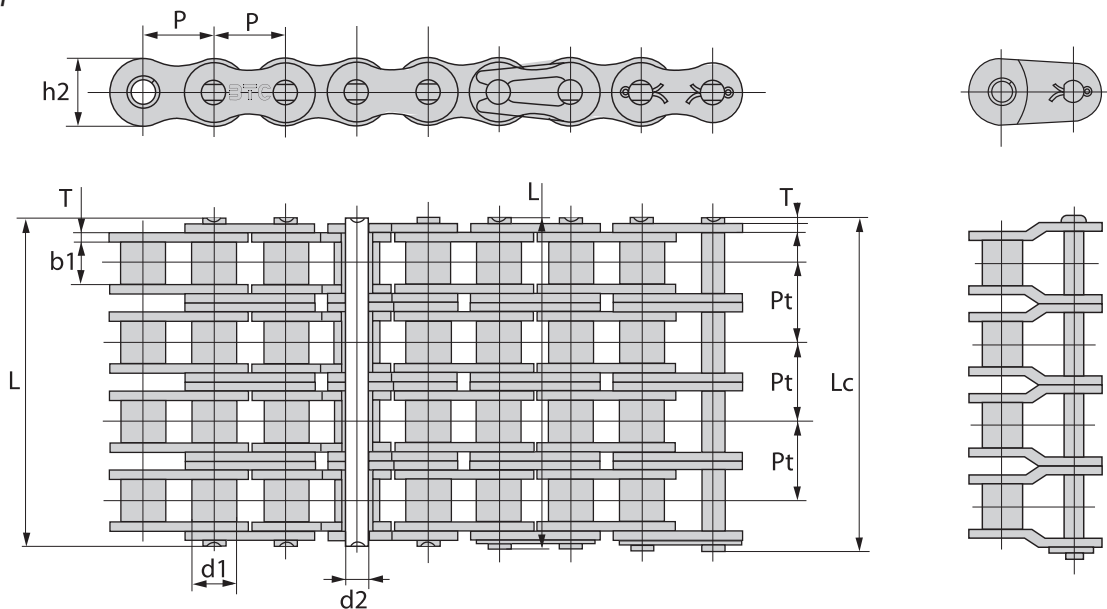
*Bushing chain: d1 in the table indicate the external diameter of the bushing

All these types are also available in cotted execution

High precision roller chains - DIN 8188

ANSI - American standard

Multiple



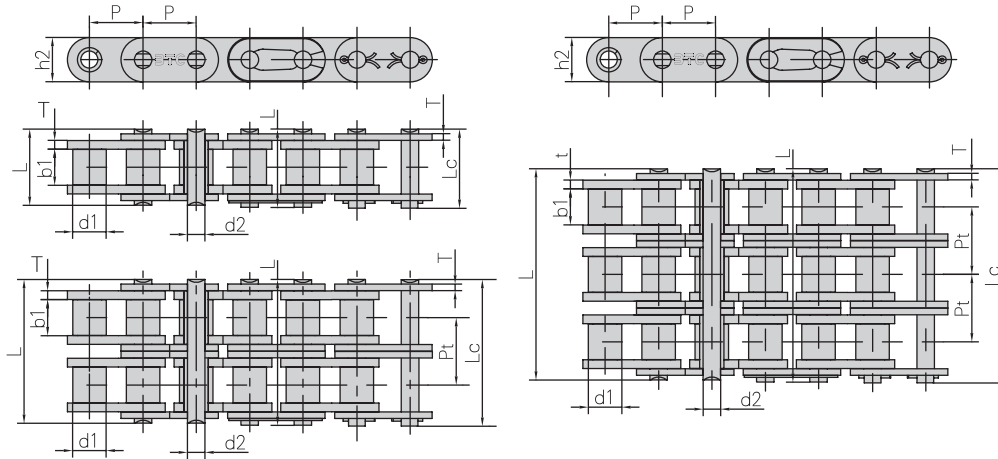
DIN Ref.	ANSI Ref.	Pitch	Roller diameter	Width between inner plates	Pin diameter	Pin length		Inner plate height	Plate thickness	Transverse pitch	Ultimate tensile strength	Average tensile strength	Weight per meter
		P	d_1 max	b_1 min	d_2 max	L max	L_c max	h_2 max	T max	P_t	F_B min.	F_{BA}	q
		mm	mm	mm	mm	mm	mm	mm	mm	mm	kN/LB	kN	kg/m
08A-4	40-4	12.700	7.95	7.85	3.96	59.8	61.0	12.00	1.50	14.38	56.4/12687	62.04	2.57
10A-4	50-4	15.875	10.16	9.40	5.08	75.1	76.6	15.09	2.03	18.11	88.8/19976	97.68	4.30
12A-4	60-4	19.050	11.91	12.57	5.94	94.4	96.1	18.00	2.42	22.78	127.2/28614	139.92	6.21
16A-4	80-4	25.400	15.88	15.75	7.92	121.0	124.4	24.00	3.25	29.29	226.8/51020	249.48	10.37
20A-4	100-4	31.750	19.05	18.90	9.63	147.8	152.1	30.00	4.00	35.76	354/79635	389.40	15.60
24A-4	120-4	38.100	22.23	25.22	11.1	187.0	190.8	36.70	4.80	45.44	508/114278	558.80	23.56
08A-5	40-5	12.700	7.95	7.85	3.96	74.2	75.4	12.00	1.50	14.38	70.5/15859	77.55	3.19
10A-5	50-5	15.875	10.16	9.40	5.08	93.2	94.7	15.09	2.03	18.11	111/24970	122.10	5.37
12A-5	60-5	19.050	11.91	12.57	5.94	117.0	118.8	18.00	2.42	22.78	159/35768	174.90	7.75
16A-5	80-5	25.400	15.88	15.75	7.92	149.9	153.7	24.00	3.25	29.29	283.5/63775	311.85	12.96
20A-5	100-5	31.750	19.05	18.90	9.63	183.6	187.9	30.00	4.00	35.76	442.5/99543	486.75	19.46
24A-5	120-5	38.100	22.23	25.22	11.1	232.3	236.1	35.70	4.80	45.44	635/142848	698.50	29.40
08A-6	40-6	12.700	7.95	7.85	3.96	88.5	89.8	12.00	1.50	14.38	84.6/19,31	93.06	3.83
10A-6	50-6	15.875	10.16	9.40	5.08	111.3	112.8	15.09	2.03	18.11	133.2/29964	146.52	6.43
12A-6	60-6	19.050	11.91	12.57	5.94	139.8	141.8	18.00	2.42	22.78	190.8/42921	209.80	9.31
16A-6	80-6	25.400	15.88	15.75	7.92	179.2	183.0	24.00	3.25	29.29	340.2/76530	374.22	15.50
20A-6	100-6	31.750	19.05	18.90	9.63	219.4	223.7	30.00	4.00	35.76	531/119452	584.10	23.36
24A-6	120-6	38.100	22.23	25.22	11.1	278.0	282.0	35.70	4.80	45.44	762/171417	838.20	35.30
08A-8	40-8	12.700	7.95	7.85	3.96	117.3	118.5	12.00	1.50	14.38	112.8/25375	124.08	5.11
10A-8	50-8	15.875	10.16	9.40	5.08	147.5	149.0	15.09	2.03	18.11	117.6/39952	195.36	8.59
12A-8	60-8	19.050	11.91	12.57	5.94	185.8	187.6	18.00	2.42	22.78	254.4/57229	279.84	12.37
16A-8	80-8	25.400	15.88	15.75	7.92	237.8	241.6	24.00	3.25	29.29	453.6/102040	498.96	20.67
20A-8	100-8	31.750	19.05	18.90	9.63	290.8	295.1	30.00	4.00	35.76	708/159270	778.80	31.14
24A-8	120-8	38.100	22.23	25.22	11.1	368.8	372.8	35.70	4.80	45.44	1016/228557	1176	47.07

All these types are also available in cottered execution

Straight side plates roller chains - DIN 8188

ANSI - American standard

Simplex, Duplex and Triplex

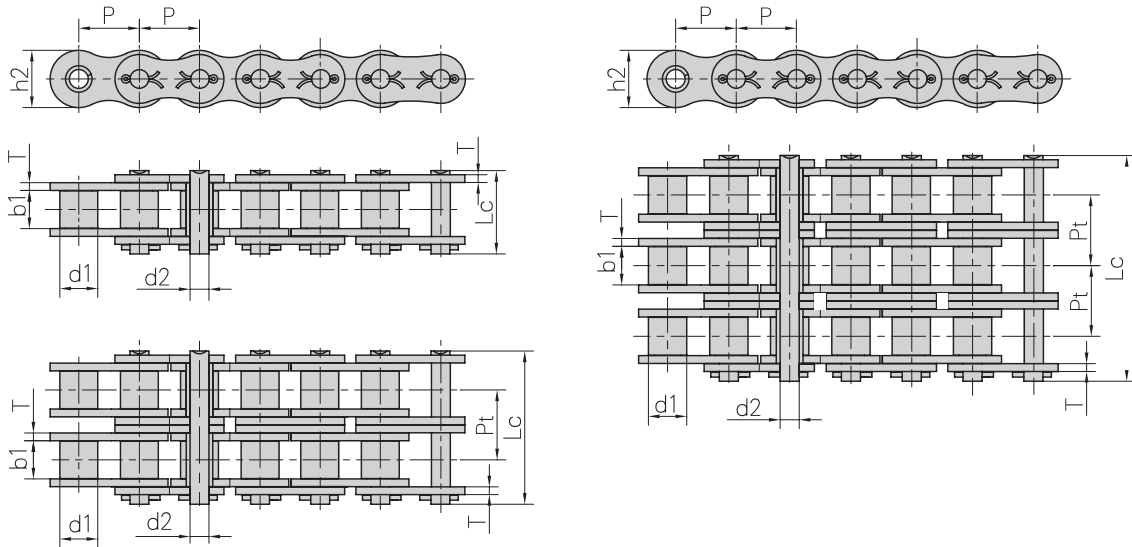



DIN Ref.	ANSI Ref.	Pitch	Roller diameter	Width between inner plates	Pin diameter		Pin length		Inner plate height	Plate thickness	Transverse pitch	Ultimate tensile strength	Average tensile strength	Weight per meter
		P	d1 max	b1 min	d2 max	L max	Lc max	h2 max	T max	Pt	F _B min.	F _{BA}		
		mm	mm	mm	mm	mm	mm	mm	mm	mm	mm	kN/LB	kN	
GL06A-1	*C35	9,525	5,08	4,77	3,58	13,3	14,3	9,00	1,30		7,9/1795	10,8	0,41	
GL08A-1	C40	12,700	7,95	7,85	3,96	16,6	18,8	12,00	1,50		14,1/3273	17,5	0,73	
GL10A-1	C50	15,875	10,16	9,40	5,08	20,7	23,3	15,09	2,03		22,2/5045	29,4	1,23	
GL12A-1	C60	19,050	11,91	12,57	5,94	25,9	28,3	18,0/18,2	2,42		31,8/7227	41,5	1,81/1,83	
GL16A-1	C80	25,400	15,88	15,75	7,92	32,7	36,5	24,00	3,25		56,7/12886	69,4	3,09	
GL20A-1	C100	31,750	19,05	18,90	9,53	40,4	44,7	30,00	4,00		88,5/20114	109,2	4,56	
GL24A-1	C120	38,100	22,23	25,22	11,10	50,3	54,3	35,70	4,80		127,0/28864	156,3	6,86	
GL28A-1	C140	44,450	25,40	25,22	12,70	54,4	59,0	41,00	5,60		172,4/39182	212,0	8,49	
GL32A-1	C160	50,800	28,58	31,55	14,27	64,8	69,6	47,80	6,40		226,8/51545	278,9	11,50	
GL08A-2	C40-2	12,700	7,95	7,85	3,96	31,0	33,2	12,00	1,50	14,38	28-2/6409	35,9	1,43	
GL10A-2	C50-2	15,875	10,16	9,40	5,08	38,9	41,4	15,09	2,03	18,11	44,4/10091	58,1	2,42	
GL12A-2	C60-2	19,050	11,91	12,57	5,94	48,8	51,1	18,0/18,2	2,42	22,78	63,6/14455	82,1	3,58/3,62	
GL16A-2	C80-2	25,400	15,88	15,75	7,92	62,7	65,8	24,00	3,25	29,29	113,4/25773	141,8	6,12	
GL20A-2	C100-2	31,750	19,05	18,90	9,53	76,4	80,5	30,00	4,00	35,76	177,0/40227	219,4	9,08	
GL24A-2	C120-2	38,100	22,23	25,22	11,10	95,8	99,7	35,70	4,80	45,44	254,0/57727	314,9	13,60	
GL28A-2	C140-2	44,450	25,40	25,22	12,70	103,3	107,9	41,00	5,60	48,87	344,8/78364	427,5	16,86	
GL32A-2	C160-2	50,800	28,58	31,55	14,27	123,3	128,1	47,80	6,40	58,55	453,6/103091	562,4	22,90	
GL08A-3	C40-3	12,700	7,95	7,85	3,96	45,4	47,6	12,00	1,50	14,38	42,3/9614	50,0	2,14	
GL10A-3	C50-3	15,875	10,16	9,40	5,08	57,0	59,5	15,09	2,03	18,11	66,6/15136	77,8	3,62	
GL12A-3	C60-3	19,050	11,91	12,57	5,94	71,5	73,9	18,0/18,2	2,42	22,78	95,4/21682	111,1	5,36/5,41	
GL16A-3	C80-3	25,400	15,88	15,75	7,92	91,7	95,1	24,00	3,25	29,29	170,1/38659	198,4	9,10	
GL20A-3	C100-3	31,750	19,05	18,90	9,53	112,2	116,3	30,00	4,00	35,76	265,5/60341	309,6	13,60	
GL24A-3	C120-3	38,100	22,23	25,22	11,10	141,4	145,2	35,70	4,80	45,44	381,0/86591	437,2	20,43	
GL28A-3	C140-3	44,450	25,40	25,22	12,70	152,2	156,8	41,00	5,60	48,87	517,2/117545	593,3	25,23	
GL32A-3	C160-3	50,800	28,58	31,55	14,27	181,8	186,6	47,80	6,40	58,55	680,4/154636	780,6	34,19	

*Bushing chain: d1 in the table indicate the external diameter of the bushing

Heavy duty roller chains - DIN 8188 ANSI - American standard - Cottered or riveted

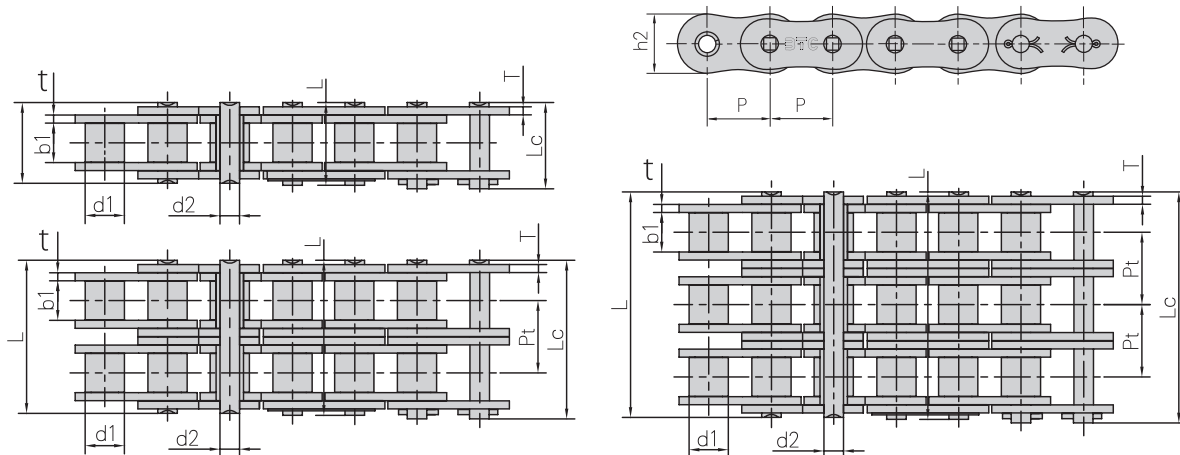
Simplex, Duplex and Triplex



DIN Ref.	ANSI Ref.	Pitch	Roller diameter	Width between inner plates	Pin diameter	Pin length	Inner plate height	Plate thickness	Transverse pitch	Ultimate tensile strength	Average tensile strength	Weight per meter
		P	d1 max	b1 min	d2 max	Lc max	h2 max	T max	Pt	FB min.	FBA	q
		mm	mm	mm	mm	mm	mm	mm	mm	kN/LB	kN	kg/m
	10AH-1	50H	15,875	10,16	9,40	5,08	24,4	15,09	2,42		22,2/5045	30,2
12AH-1	60H	19,050	11,91	12,57	5,94	31,6	18,00	3,25		31,8/7227	42,7	1,87
16AH-1	80H	25,400	15,88	15,75	7,92	39,4	24,00	4,00		56,7/12886	71,4	3,10
20AH-1	100H	31,750	19,05	18,90	9,53	46,9	30,00	4,80		88,5/20114	112,4	4,52
24AH-1	120H	38,100	22,23	25,22	11,10	57,5	35,70	5,60		127,0/28864	160,9	6,60
28AH-1	140H	44,450	25,40	25,22	12,70	62,2	41,00	6,40		172,4/39182	217,3	8,30
32AH-1	160H	50,800	28,58	31,55	14,27	73,0	47,80	7,20		226,8/51545	285,8	10,30
40AH-1	200H	63,500	39,68	37,85	19,85	93,5	60,00	9,50		353,8/80409	444,5	19,16
12AH-2	60H-2	19,050	11,91	12,57	5,94	57,7	18,00	3,25	26,11	63,6/14454	84,5	3,71
16AH-2	80H-2	25,400	15,88	15,75	7,92	72,0	24,00	4,00	32,59	113,4/25773	145,3	6,15
20AH-2	100H-2	31,750	19,05	18,90	9,53	86,0	30,00	4,80	39,09	177,0/40227	225,9	9,03
24AH-2	120H-2	38,100	22,23	25,22	11,10	106,4	35,70	5,60	48,87	254,0/57727	322,7	13,13
28AH-2	140H-2	44,450	25,40	25,22	12,70	114,4	41,00	6,40	52,20	344,8/78364	437,7	16,60
32AH-2	160H-2	50,800	28,58	31,55	14,27	134,9	47,80	7,20	61,90	453,6/103091	571,6	20,20
40AH-2	200H-2	63,500	39,68	37,85	19,85	171,8	60,00	9,50	78,31	707,6/160818	894,9	38,11
12AH-3	60H-3	19,050	11,91	12,57	5,94	83,8	18,00	3,25	26,11	95,4/21682	113,9	5,54
16AH-3	80H-3	25,400	15,88	15,75	7,92	104,6	24,00	4,00	32,59	170,1/38659	203,5	9,42
20AH-3	100H-3	31,750	19,05	18,90	9,53	125,1	30,00	4,80	39,09	265,5/60341	314,8	12,96
24AH-3	120H-3	38,100	22,23	25,22	11,10	155,2	35,70	5,60	48,87	381,0/86591	444,7	19,64
28AH-3	140H-3	44,450	25,40	25,22	12,70	166,6	41,00	6,40	52,20	517,2/117545	598,4	24,90
32AH-3	160H-3	50,800	28,58	31,55	14,27	196,8	47,80	7,20	61,90	680,4/154636	787,3	30,10
40AH-3	200H-3	63,500	39,68	37,85	19,85	250,1	60,00	9,50	78,31	1061,4/241227	1228,2	57,06

Super heavy duty roller chains DIN 8188 ANSI - American standard HSP

Simplex, Duplex and Triplex

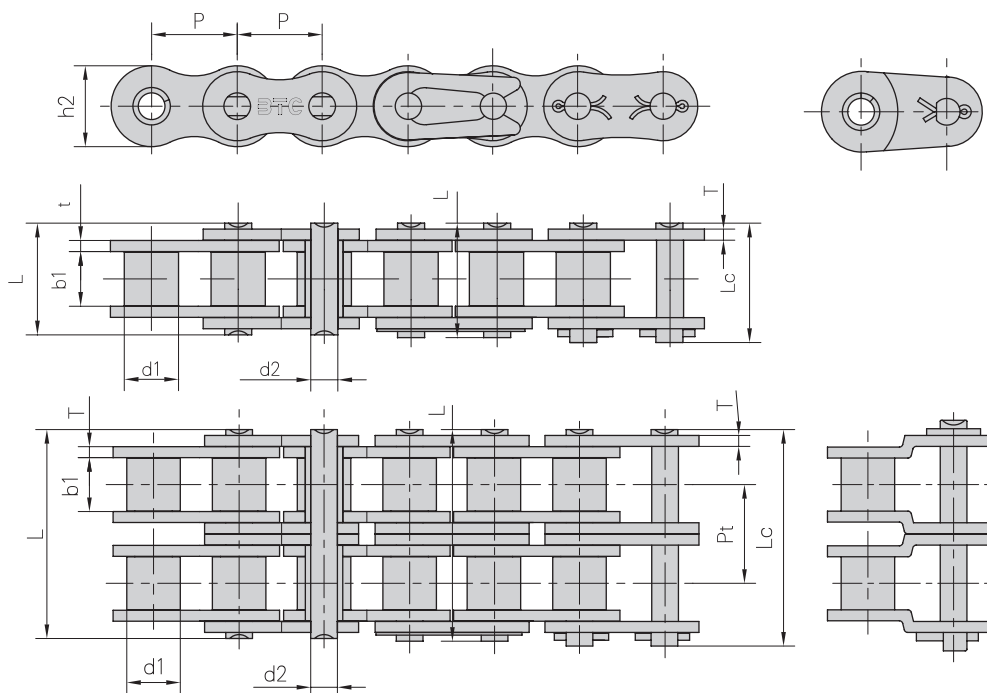


Chain Nr.	Pitch	Roller diameter	Width between inner plates	Pin diam.	Pin length		Inner plate height	Plate Thickness	Transverse pitch	Ultimate tensile strength	Average tensile strength	Weight per meter
	P	d1 max	b1 max	d2 max	L max	Lc max	h2 max	t/T max		F _B min.	F _{BA}	q
	mm	mm	mm	mm	mm	mm	mm	mm		kN	kN	kg/m
50HSP-1	15,875	10,16	9,40	5,08	22,5	24,4	15,1	2,4		31,3	34,7	1,27
60HSP-1	19,050	11,91	12,57	5,94	29,7	31,6	18,0	3,3		45,8	50,6	1,90
80HSP-1	25,400	15,88	15,75	7,94	36,2	38,7	24,0	4,0		89,2	98,1	3,36
100HSP-1	31,750	19,05	18,95	9,54	43,6	46,8	30,1	4,8		131,8	145,0	4,90
120HSP-1	38,100	22,23	25,22	11,11	53,5	56,8	36,1	5,6		176,0	196,0	7,12
140HSP-1	44,450	25,40	25,22	12,71	57,5	62,0	42,1	6,4		231,9	255,0	8,88
160HSP-1	50,800	28,58	31,55	14,29	68,2	71,5	48,1	7,2		294,5	324,0	11,72
200HSP-1	63,500	39,68	37,85	19,85	86,6	93,2	60,0	9,5		543,6	598,0	19,80
60HSP-2	19,050	11,91	12,57	5,94	29,7	31,6	18,0	3,3	26,11	93,9	103,3	3,80
80HSP-2	25,400	15,88	15,75	7,94	36,2	38,7	24,0	4,0	32,59	178,4	196,2	6,65
100HSP-2	31,750	19,05	18,95	9,54	43,6	46,8	30,1	4,8	39,09	263,6	290,0	9,71
120HSP-2	38,100	22,23	25,22	11,11	53,5	56,8	36,1	5,6	48,87	353,4	392,0	14,12
140HSP-2	44,450	25,40	25,22	12,71	57,5	62,0	42,1	6,4	52,20	463,6	510,0	17,38
160HSP-2	50,800	28,58	31,55	14,29	68,2	71,5	48,1	7,2	61,90	588,0	647,0	23,00
200HSP-2	63,500	39,68	37,85	19,85	86,6	93,2	60,0	9,5	78,31	1091,0	1200,0	38,50
60HSP-3	19,050	11,91	12,57	5,94	29,7	31,6	18,0	3,3	26,11	137,4	151,5	5,60
80HSP-3	25,400	15,88	15,75	7,94	36,2	38,7	24,0	4,0	32,59	267,6	294,3	9,95
100HSP-3	31,750	19,05	18,95	9,54	43,6	46,8	30,1	4,8	39,09	395,4	435,0	14,53
120HSP-3	38,100	22,23	25,22	11,11	53,5	56,8	36,1	5,6	48,87	534,5	588,0	21,12
140HSP-3	44,450	25,40	25,22	12,71	57,5	62,0	42,1	6,4	52,20	695,8	765,0	25,88
160HSP-3	50,800	28,58	31,55	14,29	68,2	71,5	48,1	7,2	61,90	882,7	971,0	34,22
200HSP-3	63,500	39,68	37,85	19,85	86,6	93,2	60,0	9,5	78,31	1627,3	1790,0	57,29

Self-lubrication roller chains - DIN 8187 / 8188

ISO 606 - European / ANSI - American standard - SLR

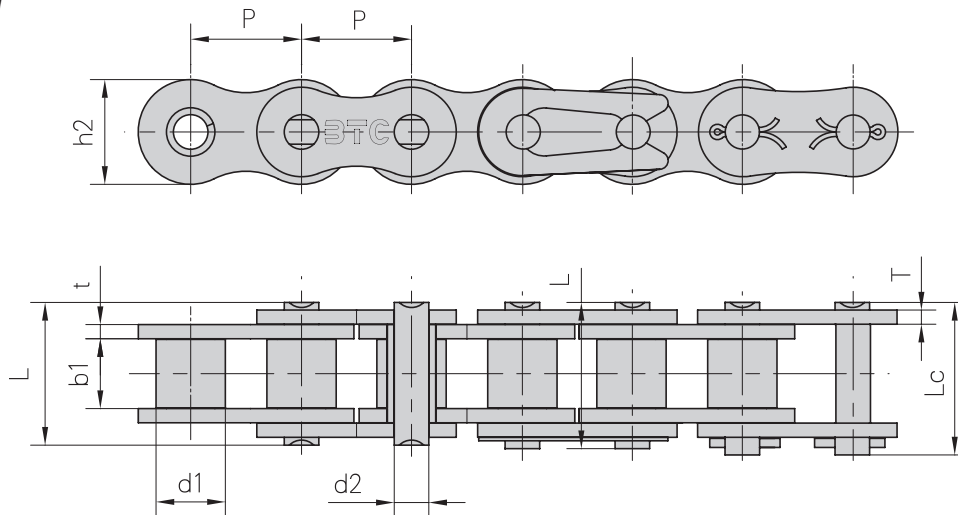
Simplex and duplex




DIN Ref.	Pitch	Roller diameter	Width between inner plates	Pin diameter	Pin length		Inner plate depth	Plate thickness	Transverse pitch	Ultimate tensile strength	Weight per meter
					L	Lc					
					mm	mm					
08BSLR	12,700	8,51	7,75	4,45	16,7	18,1	11,80	1,6		18,0	0,69
08BSLRF1	12,700	8,51	7,75	4,45	17,3	18,7	11,80	1,6		18,0	0,72
10BSLR	15,875	10,16	9,65	5,08	19,6	21,0	14,70	1,7		22,4	0,93
10BSLRF1	15,875	10,16	9,65	5,08	19,9	21,6	14,70	1,7		22,4	0,97
12BSLR	19,050	12,07	11,68	5,72	22,5	24,0	16,00	1,85		29,0	1,15
12BSLR1	19,050	12,07	11,68	5,72	22,9	24,7	16,00	1,85		29,0	1,19
16BSLR	25,400	15,88	17,02	8,28	35,6	37,2	21,00	4,15/3,1		60,0	2,71
16BSLR1	25,400	15,88	17,02	8,28	36,7	39,7	21,00	4,15/3,1		60,0	2,73
40SLR	12,700	7,95	7,85	3,96	16,3	17,8	12,00	1,5		14,1	0,63
50SLR	15,875	10,16	9,40	5,08	20,2	22,2	15,09	2,03		22,0	1,02
60SLR	19,050	11,91	12,57	5,94	25,9	27,5	18,00	2,42		34,2	1,59
80SLR	25,400	15,88	15,75	7,92	32,8	34,1	24,00	3,25		56,7	2,60
08BSLR-2	12,700	8,51	7,75	4,45	30,6	32,0	11,80	1,6	13,92	32,0	1,34
10BSLR-2	15,875	10,16	9,65	5,08	36,2	37,6	14,70	1,7	16,59	44,5	1,84
12BSLR-2	19,050	12,07	11,68	5,72	41,1	43,5	16,00	1,85	19,46	57,8	2,46
16BSLR-2	25,400	15,88	17,02	8,28	67,5	69,1	21,00	4,15/3,1	31,88	106,0	5,45
40SLR-2	12,700	7,95	7,85	3,96	31,0	32,2	12,00	1,5	14,38	28,2	1,12
50SLR-2	15,875	10,16	9,40	5,08	39,0	40,3	15,09	2,03	18,11	44,4	2,00
60SLR-2	19,050	11,91	12,57	5,94	48,8	50,3	18,00	2,042	22,78	68,4	3,14
80SLR-2	25,400	15,88	15,75	7,92	61,9	64,2	24,00	3,25	29,29	113,4	5,32

High precision roller chains - DIN 8187 / DIN 8188 ISO 606 - European / ANSI - American standard

Zinc plated



ANSI / DIN Ref.	Pitch	Roller diameter	Width between inner plates	Pin diameter	Pin length		Inner plate height	Plate thick- ness	Ultimate tensile strength	Weight per meter
					L	Lc				
					max	max				
	P	d1 max	b1 min	d2 max	L max	Lc max	h2 max	t/T max	F _B min.	q
	mm	mm	mm	mm	mm	mm	mm	mm	kN/LB	kg/m
*25ZP	6,350	3,30	3,18	2,31	7,90	8,40	6,00	0,80	3,50/795	0,15
*35ZP	9,525	5,08	4,77	3,58	12,40	13,17	9,00	1,30	7,90/1795	0,33
41ZP	12,700	7,77	6,25	3,58	13,75	15,00	9,91	1,30	6,67/1516	0,41
40ZP	12,700	7,95	7,85	3,96	16,60	17,80	12,00	1,50	14,10/3205	0,62
50ZP	15,875	10,16	9,40	5,08	20,70	22,20	15,09	2,03	22,20/5045	1,02
60ZP	19,050	11,91	12,57	5,94	25,90	27,70	18,00	2,42	31,80/7227	1,50
80ZP	25,400	15,88	15,75	7,92	32,70	35,00	24,00	3,25	56,70/12886	2,60
100ZP	31,750	19,05	18,90	9,53	40,40	44,70	30,00	4,00	88,50/20114	3,91
120ZP	38,100	22,23	25,22	11,10	50,30	54,30	35,70	4,80	127,00/28864	5,62
140ZP	44,450	25,40	25,22	12,70	54,40	59,00	41,00	5,60	172,40/39182	7,50
160ZP	50,800	28,58	31,55	14,27	64,80	69,60	47,80	6,40	226,80/51545	10,10
04BZP	6,000	4,00	2,80	1,85	6,80	7,80	5,00	0,60	3,00/682	0,11
05BZP	8,000	5,00	3,00	2,31	8,20	8,90	7,10	0,80	5,00/1136	0,20
#06BZP	9,525	6,35	5,72	3,28	13,15	14,10	8,20	1,30	9,00/2045	0,41
08BZP	12,700	8,51	7,75	4,45	16,70	18,20	11,80	1,60	18,00/4091	0,69
10BZP	15,875	10,16	9,65	5,08	19,50	20,90	14,70	1,70	22,40/5091	0,93
12BZP	19,050	12,07	11,68	5,72	22,50	24,20	16,00	1,85	60,00/13636	1,15
16BZP	25,400	15,88	17,02	8,28	36,10	37,40	21,00	4,15/3,1	95,00/21591	2,71
20BZP	31,750	19,05	19,56	10,19	41,30	45,00	26,40	4,5/3,5	95,00/21591	3,70
24BZP	38,100	25,40	25,40	14,63	53,40	57,80	33,20	6,0/4,8	160,0/36364	7,10
28BZP	44,450	27,94	30,99	15,90	65,10	69,50	36,70	7,5/6,0	200,0/45455	8,50
32BZP	50,800	29,21	30,99	17,81	66,00	71,00	42,00	7,0/6,0	250,0/56818	10,25

* Bushing chain: d1 in the table indicate the external diameter of the bushing

Straight side plates

Double strand zinc plated chains are available in all sizes

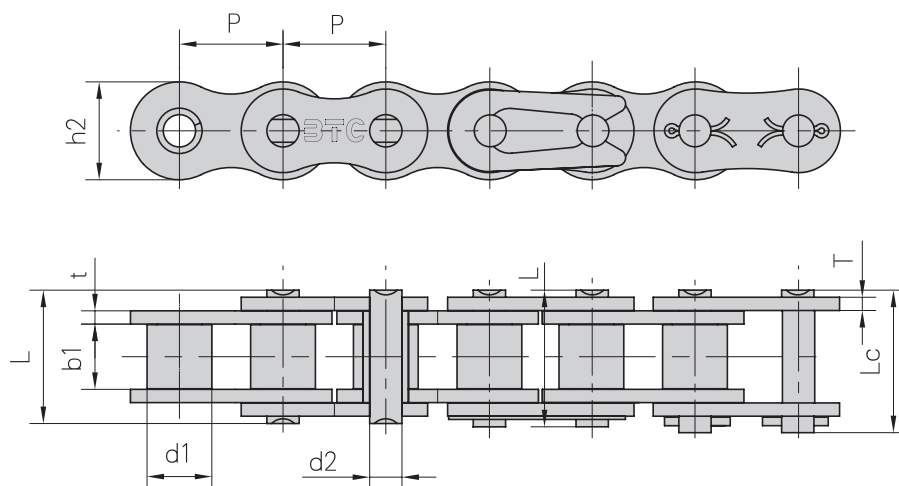
Double pitch zinc plated conveyor chains are available upon request



High precision roller chains - DIN 8187 / 8188 ISO 606 - European / ANSI - American standard

Nickel plated

ROLLER CHAINS



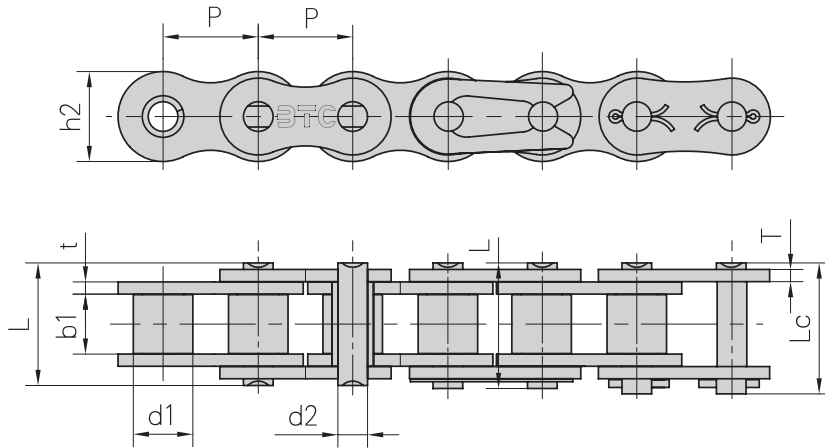
ANSI / DIN Ref.	Pitch	Roller diameter	Width between inner plates	Pin diameter	Pin length		Inner plate height	Plate thick- ness	Ultimate tensile strength	Weight per meter								
					P	d1 max					b1 min	d2 max	L max	Lc max	h2 max	t/T max	F _B min.	q
*25NP	6,350	3,30	3,18	2,31	7,90	8,40	6,00	0,80	3,50/795	0,15								
*35NP	9,525	5,08	4,77	3,58	12,40	13,17	9,00	1,30	7,90/1795	0,33								
41NP	12,700	7,77	6,25	3,58	13,75	15,00	9,91	1,30	6,67/1516	0,41								
40NP	12,700	7,95	7,85	3,96	16,60	17,80	12,00	1,50	14,10/3205	0,62								
50NP	15,875	10,16	9,40	5,08	20,70	22,20	15,09	2,03	22,20/5045	1,02								
60NP	19,050	11,91	12,57	5,94	25,90	27,70	18,00	2,42	31,80/7227	1,50								
80NP	25,400	15,88	15,75	7,92	32,70	35,00	24,00	3,25	56,70/12886	2,60								
100NP	31,750	19,05	18,90	9,53	40,40	44,70	30,00	4,00	88,50/20114	3,91								
120NP	38,100	22,23	25,22	11,10	50,30	54,30	35,70	4,80	127,00/28864	5,62								
140NP	44,450	25,40	25,22	12,70	54,40	59,00	41,00	5,60	172,40/39182	7,50								
160NP	50,800	28,58	31,55	14,27	64,80	69,60	47,80	6,40	226,80/51545	10,10								
04BNP	6,000	4,00	2,80	1,85	6,80	7,80	5,00	0,60	3,00/682	0,11								
05BNP	8,000	5,00	3,00	2,31	8,20	8,90	7,10	0,80	5,00/1136	0,20								
* 06BNP	9,525	6,35	5,72	3,28	13,15	14,10	8,20	1,30	9,00/2045	0,41								
08BNP	12,700	8,51	7,75	4,45	16,70	18,20	11,80	1,60	18,00/4091	0,69								
10BNP	15,875	10,16	9,65	5,08	19,50	20,90	14,70	1,70	22,40/5091	0,93								
12BNP	19,050	12,07	11,68	5,72	22,50	24,20	16,00	1,85	29,00/6591	1,15								
16BNP	25,400	15,88	17,02	8,28	36,10	37,40	21,00	4,15/3,1	60,00/13636	2,71								
20BNP	31,750	19,05	19,56	10,19	41,30	45,00	26,40	4,5/3,5	95,00/21591	3,70								
24BNP	38,100	25,40	25,40	14,63	53,40	57,80	33,20	6,0/4,8	160,00/36364	7,10								
28BNP	44,450	27,94	30,99	15,90	65,10	69,50	36,70	7,5/6,0	200,00/45455	8,50								
32BNP	50,800	29,21	30,99	17,81	66,00	71,00	42,00	7,0/6,0	250,00/56818	10,25								

* Straight side plates



"Coated" corrosion protected high precision roller chains DIN 8187 / 8188 - ISO 606 - European / ANSI - American standard

Simplex



ANSI / DIN Ref.	Pitch	Roller diameter	Width between inner plates	Pin diameter	Pin length		Inner plate height	Plate thickness	Breaking load	Weight per meter
					L max	Lc max				
					P	d1 max				
mm	mm	mm	mm	mm	mm	mm	mm	kN/LB	kg/m	
*25DR	6,350	3,30	3,18	2,31	7,90	8,40	6,00	0,80	3,50/795	0,15
*35DR	9,525	5,08	4,77	3,58	12,40	13,17	9,00	1,30	7,90/1795	0,33
41 DR	12,700	7,77	6,25	3,58	13,75	15,00	9,91	1,30	6,67/1516	0,41
40DR	12,700	7,95	7,85	3,96	16,60	17,80	12,00	1,50	14,10/3205	0,62
50DR	15,875	10,16	9,40	5,08	20,70	22,20	15,09	2,03	22,20/5045	1,02
60DR	19,050	11,91	12,57	5,94	25,90	27,70	18,00	2,42	31,80/7227	1,50
80DR	25,400	15,88	15,75	7,92	32,70	35,00	24,00	3,25	56,70/12886	2,60
100DR	31,750	19,05	18,90	9,53	40,40	44,70	30,00	4,00	88,50/20114	3,91
120DR	38,100	22,23	25,22	11,10	50,30	54,30	35,70	4,80	127,00/28864	5,62
140DR	44,450	25,40	25,22	12,70	54,40	59,00	41,00	5,60	172,40/39182	7,50
160DR	50,800	28,58	31,55	14,27	64,80	69,60	47,80	6,40	226,80/51545	10,10
04BDR	6,000	4,00	2,80	1,85	6,80	7,80	5,00	0,60	3,00/682	0,11
05BDR	8,000	5,00	3,00	2,31	8,20	8,90	7,10	0,80	5,00/1136	0,20
#06BDR	9,525	6,35	5,72	3,28	13,15	14,10	8,20	1,30	9,00/2045	0,41
08BDR	12,700	8,51	7,75	4,45	16,70	18,20	11,80	1,60	18,00/4091	0,69
10BDR	15,875	10,16	9,65	5,08	19,50	20,90	14,70	1,70	22,40/5091	0,93
12BDR	19,050	12,07	11,68	5,72	22,50	24,20	16,00	1,85	29,00/6591	1,15
16BDR	25,400	15,88	17,02	8,28	36,10	37,40	21,00	4,15/3,1	60,00/13636	2,71
20BDR	31,750	19,05	19,56	10,19	41,30	45,00	26,40	4,5/3,5	95,00/21591	3,70
24BDR	38,100	25,40	25,40	14,63	53,40	57,80	33,20	6,0/4,8	160,00/36364	7,10
28BDR	44,450	27,94	30,99	15,90	65,10	69,50	36,70	7,5/6,0	200,00/45455	8,50
32BDR	50,800	29,21	30,99	17,81	66,00	71,00	42,00	7,0/6,0	250,00/56818	10,25

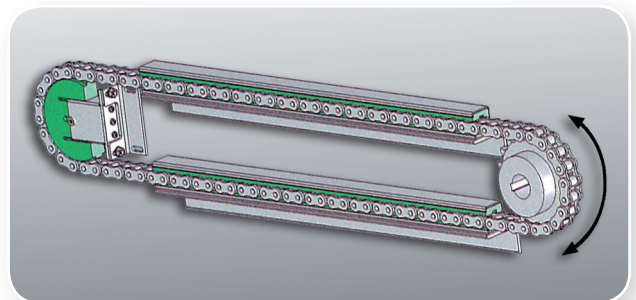
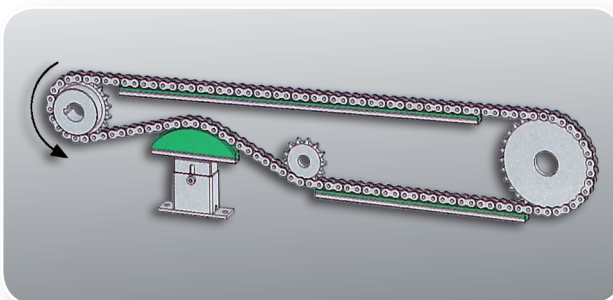
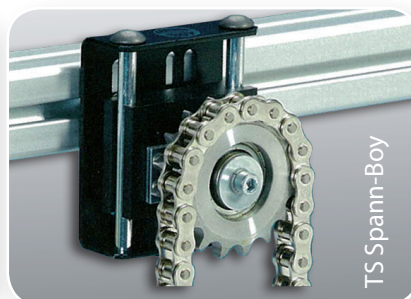
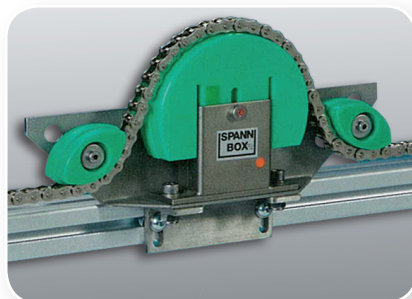
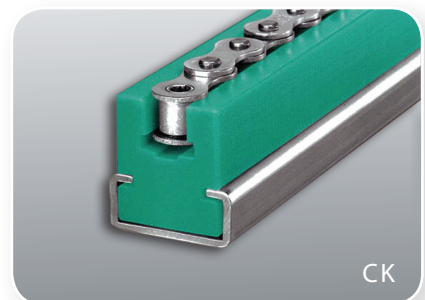
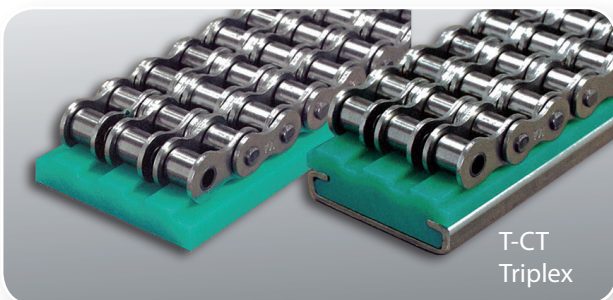
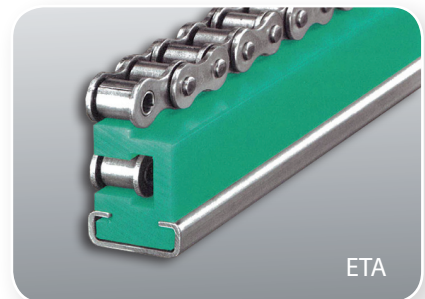
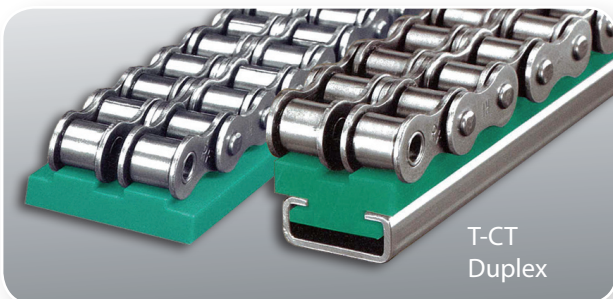
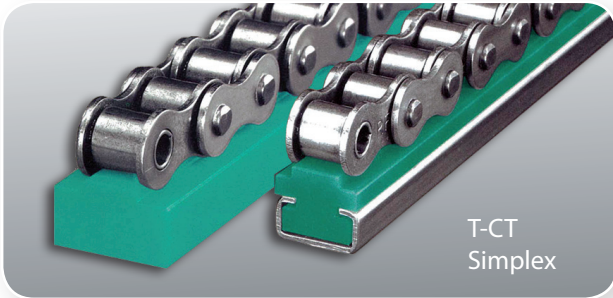
* Bushing chain: d1 in the table indicate the external diameter of the bushing
Straight side plates
Double strand "Dacromet" coated plated chains are available in all sizes
Double pitch zinc plated conveyor chains are available upon request

All chains are also available in "coated plus" (with chem. nickel plated pins)



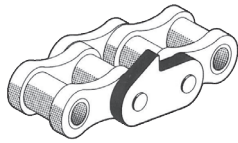
Different types of chain - guides

ROLLER CHAINS

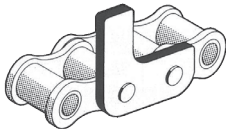


Available from stock

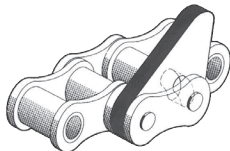
Roller chains with special attachments



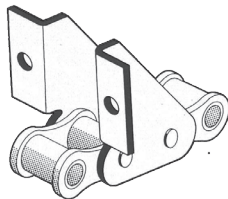
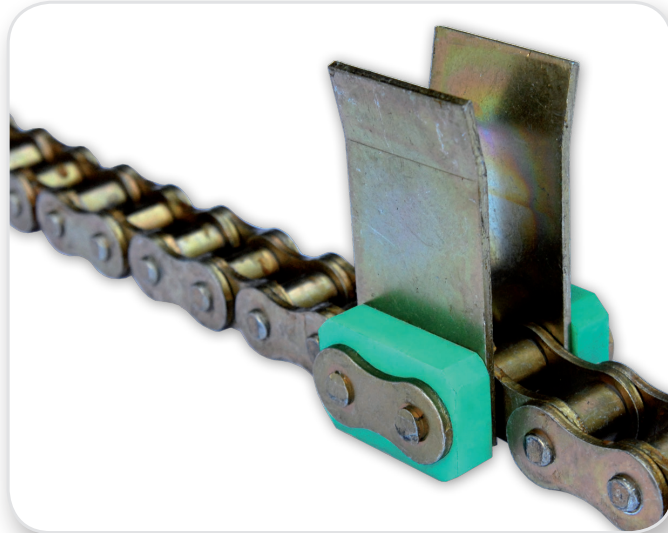
Type 1



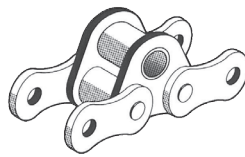
Type 2



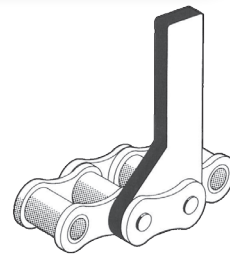
Type 3



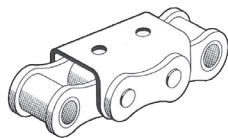
Type 4



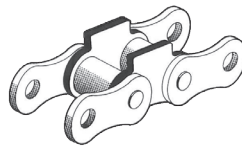
Type 5



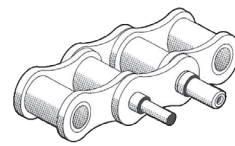
Type 6



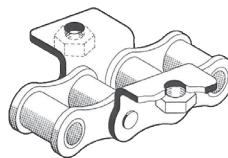
Type 7



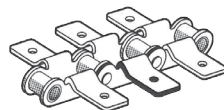
Type 8



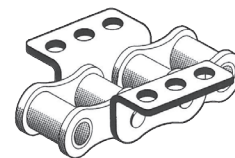
Type 9



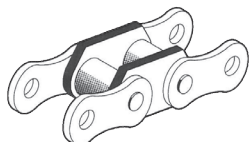
Type 10



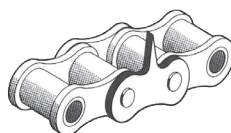
Type 11



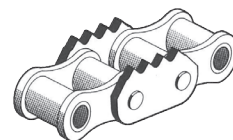
Type 12



Type 13



Type 14

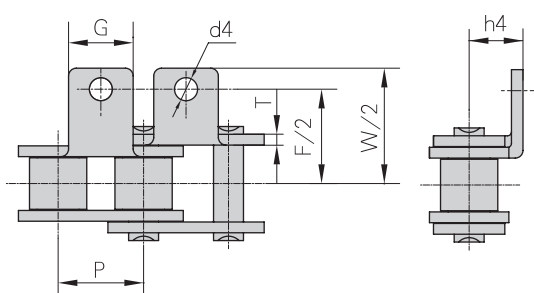


Type 15

European / American standard roller chains with standard attachments

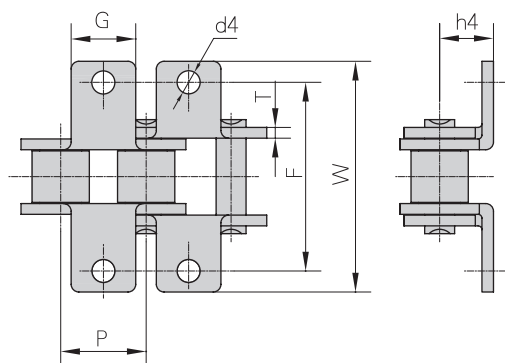
Bent, one hole

A1/1




Example every 4th pitch = A1/4

K1/1



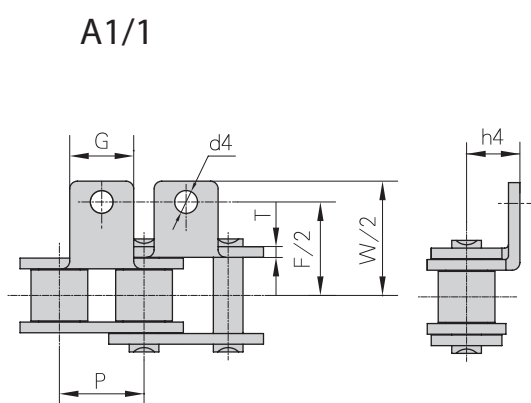
Example every 4th pitch = K1/4

DIN Ref. 	ANSI Ref.	P	G	F	W	T	h4	d4
		mm	mm	mm	mm	mm	mm	mm
*06C	35	9,525	7,9	19,00	28,60	1,30	6,35	3,4
08A	40	12,700	9,5	25,40	35,20	1,50	7,90	3,4
085	41	12,700	9,5	24,00	33,4	1,30	6,90	3,6
10A	50	15,875	12,7	31,75	46,2	2,03	10,30	5,5
12A	60	19,050	15,9	38,10	55,6	2,42	11,90	5,5
16A	80	25,400	19,1	50,80	64,8	3,25	15,90	6,8
20A	100	31,750	25,4	63,50	87,3	4,00	19,80	9,2
24A	120	38,100	28,6	76,20	108,5	4,80	23,00	9,8
28A	140	44,450	34,9	88,90	123,0	5,60	28,60	11,4
32A	160	50,800	38,1	101,60	142,8	6,40	31,75	13,1
40A	200	63,500	50,8	127,00	179,0	8,00	42,88	16,3
*06B		9,525	8,0	19,04	27,0	1,30	6,50	3,5
08B		12,700	9,5	25,40	36,4	1,60	8,90	4,5
10B		15,875	14,3	31,75	44,6	1,70	10,31	5,3
12B		19,050	16,0	38,10	52,4	1,85	13,46	6,4
16B		25,400	19,1	50,80	72,6	3,10	15,88	6,4
20B		31,750	35,0	63,50	100,5	3,50	19,80	9,0
24B		38,100	30,0	76,20	108,4	4,80	26,67	10,5
28B		44,450	35,0	88,90	123,0	6,00	28,58	13,1
32B		50,800	38,1	101,60	142,8	6,00	31,75	13,1

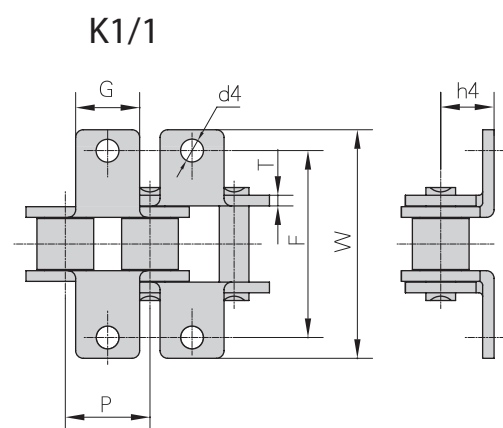
* Straight side plates

European standard roller chains with special attachments

Bent, one hole



Example every 4th pitch = A1/4



Example every 4th pitch = K1/4

DIN Ref.	P	G	F	W	T	h4	d4
	mm	mm	mm	mm	mm	mm	mm
08AA1F1	12,700	9,50	38,50	44,5	1,50	8,20	3,6
*C08AA1F1	12,700	10,00	25,40	33,4	1,50	9,10	3,4
08AA1F2	12,700	9,50	25,40	35,2	1,50	7,90	4,85
10AK1F3	15,875	14,29	31,75	46,2	2,03	10,30	5,5
10AK1F5	15,875	20,00	39,00	50,1	2,03	12,50	M5
10AHK1F1	15,875	12,70	34,00	48,4	2,42	10,30	M5
12AK1F1	19,050	15,90	40,00	55,6	2,42	11,90	6,2
12AK1F4	19,050	15,90	38,10	55,5	2,42	11,90	M5
28AA1F1	44,450	34,90	88,90	123,0	5,60	28,60	12,0
28AA1F2	44,450	44,45	88,90	124,0	5,60	28,60	12,0
08BA1F2	12,700	11,40	38,60	49,6	1,60	8,90	3,5
08BK1F5	12,700	9,50	29,00	38,7	1,60	7,10	4,5
08BA1F6	12,700	18,00	25,80	37,8	1,60	8,00	4,2
08BK1F7	12,700	9,50	29,00	39,0	1,60	7,00	4,5
08BF30	12,700	18,00	27,20	40,0	1,60	8,00	4,3
08BF33	12,700	9,50	27,74	38,8	1,60	8,50	3,1
12BA1F1	19,050	16,00	38,10	52,4	1,85	13,46	8,2
16BK1F3	25,400	19,10	50,80	72,6	3,10	15,88	8,2
16BK1F4	25,400	36,00	54,00	78,6	3,10	16,00	8,2
16BK1F5	25,400	25,00	57,80	83,6	3,10	19,00	9,0
16BF14	25,400	36,20	53,90	77,8	3,10	18,00	M6

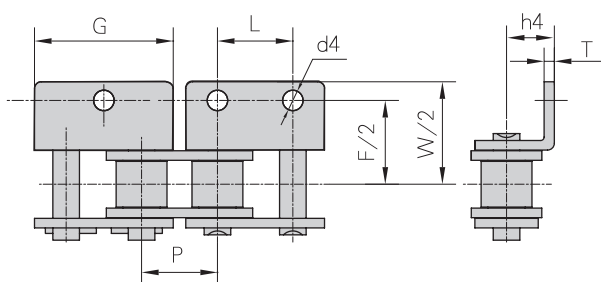
* Straight side plates

European / American standard roller chains with standard attachments

Bent, one or two holes

WA1

WA2

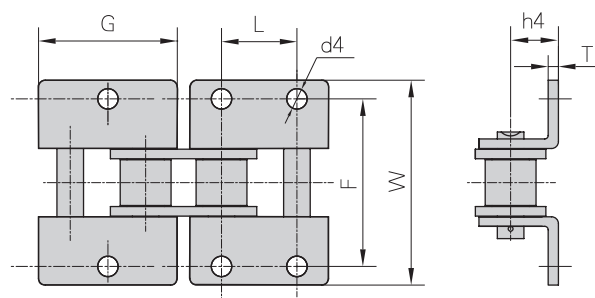


Example every
4th pitch = WA1/4

Example every
2nd pitch = WA2/2


WK1

WK2



Example every
4th pitch = WK1/4

Example every
2nd pitch = WK2/2

DIN Ref. 	ANSI Ref.	P	G	L	F	W	T	h4	d4
		mm	mm	mm	mm	mm	mm	mm	mm
06C	35	9,525	17,32	9,525	19,00	28,6	1,30	6,35	2,8
08A	40	12,700	23,00	12,700	25,40	35,6	1,50	7,90	3,4
085	41	12,700	22,30	12,700	24,00	35,0	1,30	7,20	4,85
10A	50	15,875	28,80	15,875	31,75	46,8	2,03	10,30	5,5
12A	60	19,050	34,65	19,050	38,10	56,4	2,42	11,90	5,5
16A	80	25,400	45,90	25,400	50,80	73,2	3,25	15,90	6,8
20A	100	31,750	57,65	31,750	63,50	89,8	4,00	19,80	9,2
24A	120	38,100	69,30	38,100	76,20	108,8	4,80	23,00	9,8
28A	140	44,450	80,45	44,450	88,90	123,0	5,60	28,60	11,4
32A	160	50,800	92,00	50,800	101,60	142,8	6,40	31,75	13,1
40A	200	63,500	115,50	63,500	127,00	179,0	8,00	42,88	16,3
08B		12,700	24,00	12,700	25,40	36,4	1,60	8,90	4,3
10B		15,875	29,58	15,875	31,80	44,6	1,70	10,31	5,3
12B		19,050	34,05	19,050	38,10	52,4	1,85	13,46	6,4
16B		25,400	46,40	25,400	50,80	72,6	3,10	15,88	6,4
20B		31,750	58,10	31,750	63,00	100,5	3,50	19,80	9,0
24B		38,100	71,30	38,100	76,20	108,4	4,80	26,67	10,5
28B		44,450	81,10	44,450	88,90	123,0	6,00	28,58	13,1
32B		50,800	92,80	50,800	101,60	142,8	6,00	31,75	13,1

European / American standard roller chains with special attachments

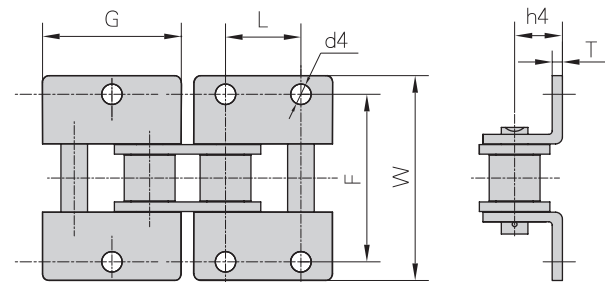
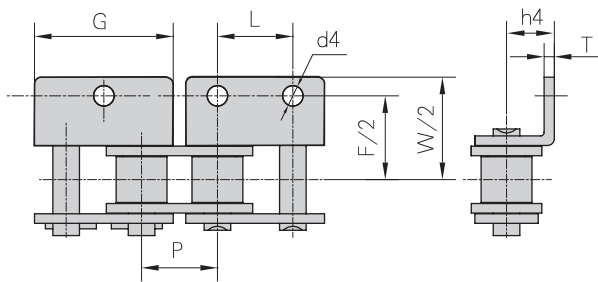
Bent, one or two holes

WA 1

WA 2

WK 1

WK 2




Example every
4th pitch = WA1/4

Example every
2nd pitch = WA2/2

Example every
4th pitch = WK1/4

Example every
2nd pitch = WK2/2

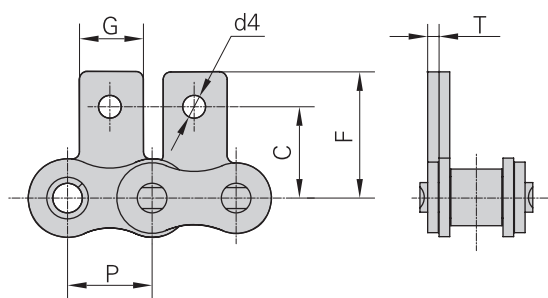
	DIN Ref.	P	G	L	F	W	T	h4	d4
		mm	mm	mm	mm	mm	mm	mm	mm
*06BWK2F1		9,525	12,70	9,525	19,05	28,50	1,30	6,70	4,10
08AWA2F2		12,700	23,00	12,70	25,40	35,60	1,50	7,90	3,60
08BWA2F4		12,700	24,00	12,70	25,40	36,40	1,60	8,90	4,30
08BWA1F1		12,700	23,30		27,40	38,80	1,60	8,00	4,30
08BWA1F6		12,700	24,00		25,40	38,80	1,60	8,90	6,60
08BWK2F2		12,700	23,20	12,70	28,40	42,60	3,00	8,50	5,40
08BWK2F3		12,700	23,20	12,70	32,00	43,60	1,60	10,00	4,50
10AWK1F1		15,875	28,80		31,75	46,00	2,03	1,30	8,20
10AWK1F2		15,875	30,00		31,75	46,00	2,03	10,30	5,20
10BWA2F2		15,875	28,36	15,76	30,40	39,80	1,60	10,50	5,20
10BWK2F2		15,875	28,36	15,76	30,40	39,80	1,60	40,50	5,20
10BWK2F3		15,875	29,90	15,88	31,59	45,59	1,60	10,50	5,30
12BWA1F2		19,050	34,05		38,10	26,20	1,85	13,46	5,50
12BWA2F2		19,050	34,90	19,00	35,00	50,60	1,85	12,00	6,20
12BWA2F5		19,050	30,00	20,00	39,60	55,30	1,85	14,00	M6
12BWK1F1		19,050	34,05		38,10	52,40	1,85	13,46	8,50
12BWK2F7		19,050	34,90	19,00	35,00	55,40	1,85	12,20	6,40
16AWK1F1		25,400	45,90		50,80	73,20	3,25	15,90	8,00
16AWK1F2		25,400	45,90		50,80	73,20	3,25	15,90	12,00
16BWK1F		25,400	46,00		57,20	78,50	3,10	15,90	8,10
16BWK2F1		25,400	48,00	25,40	58,00	75,90	3,10	18,00	9,00
16BWK2F3		25,400	46,40	25,40	58,08	72,60	3,10	15,88	8,20
20BWK2F1		31,750	58,10	31,75	67,94	100,54	3,50	19,80	9,00
28AWK2F1		44,450	82,00	42,00	69,50	99,00	5,60	25,10	10,50
32AWK2F3		50,800	100,00	70,00	100,00	140,00	6,40	31,75	18,00

* Straight side plates

European / American standard roller chains with special attachments

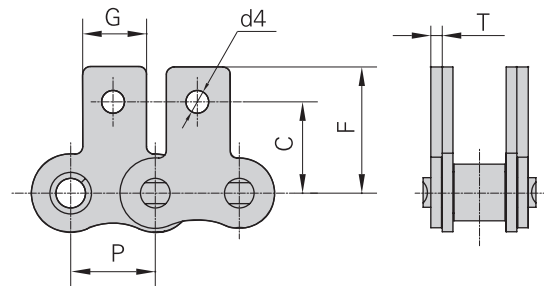
Straight, one hole

SA1 / 1



Example every 4th pitch = SA1/4

SK1 / 1



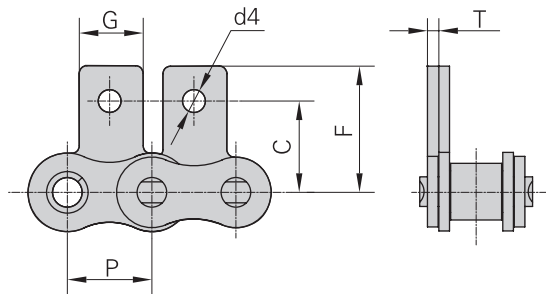
Example every 4th pitch = SK1/4

DIN Ref.	ANSI Ref.	P	G	C	F	T	d4
		mm	mm	mm	mm	mm	mm
06C	35	9,525	7,9	9,50	14,55	1,30	3,4
08A	40	12,700	9,5	12,70	19,05	1,50	3,4
085	41	12,700	9,5	11,85	16,55	1,30	3,6
10A	50	15,875	12,7	15,90	25,25	2,03	5,5
12A	60	19,050	15,9	18,30	29,33	2,42	5,5
16A	80	25,400	19,1	24,60	34,70	3,25	6,8
20A	100	31,750	25,4	31,80	43,30	4,00	9,2
24A	120	38,100	28,6	36,50	51,60	4,80	9,8
28A	140	44,450	34,9	44,50	62,00	5,60	11,4
32A	160	50,800	38,1	50,80	69,85	6,40	13,1
40A	200	63,500	50,8	63,50	88,90	8,00	16,3
*06B		9,525	8,0	9,52	13,50	1,30	3,5
08B		12,700	9,5	13,35	18,90	1,60	4,3
10B		15,875	14,3	16,50	22,95	1,70	5,3
12B		19,050	16,0	21,45	28,60	1,85	6,4
16B		25,400	19,1	23,15	34,00	3,10	6,4
20B		31,750	35,0	30,50	45,70	3,50	9,0

European / American standard roller chains with special attachments

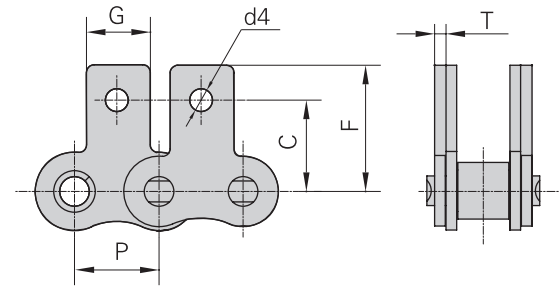
Straight, one hole

SA1 / 1




Example every 4th pitch = SA1/4

SK1 / 1



Example every 4th pitch = SK1/4

 DIN Ref.	P	G	C	F	T	d4
	mm	mm	mm	mm	mm	mm
*06BSK1F2	9.525	8.00	9.50	13.50	1.15	3.50
08ASA1F1	12.700	9.50	8.73	17.50	1.50	3.60
08ASA1F3	12.700	9.60	12.70	17.30	1.50	3.60
08BSA1F1	12.700	18.00	15.00	21.50	1.60	6.30
08BSA1F8	12.700	12.50	14.70	20.30	1.60	4.50
08BSA1F9	12.700	12.50	14.70	18.90	1.60	4.50
08BSK1F2	12.700	11.00	13.40	19.50	1.60	4.30
08BSK1F3	12.700	11.00	14.10	18.90	1.55	4.30
08BSK1F4	12.700	11.00	13.35	18.90	1.60	6.50
08BSK1F5	12.700	9.50	13.35	19.30	1.60	6.30
08BSK1F6	12.700	11.00	14.30	20.80	1.60	4.30
08BSK1F7	12.700	11.00	13.00	93.00	1.60	4.45
10ASA0F2	15.875	28.50		23.60	2.03	
10ASK1F1	15.875	20.00	15.68	22.88	2.03	8.50
10ASK1F3	15.875	12.70	15.25	23.60	2.03	5.30
10BSA1F3	15.875	24.00	16.00	24.20	1.70	5.10
12ASA1F4	19.050	15.90	18.30	29.33	2.42	8.50
12ASK1F1	19.050	15.90	18.30	29.33	2.42	6.10
12BSK1F1	19.050	18.00	18.20	28.10	1.80	6.40
16ASAF1	25.400	19.10		34.70	3.25	
16ASAF2	25.400	19.10		34.70	3.25	
16BSK1F2	25.400	24.00	25.40	37.40	3.00	8.20
16BSK1F3	25.400	19.10	23.15	34.00	3.10	9.00
16AWSK1F3	25.400	45.90	16.00	34.40	3.25	14.52
24BSK1F1	38.100	30.00	42.65	61.70	4.80	10.50

* Straight side plates

European / American standard roller chains with special attachments

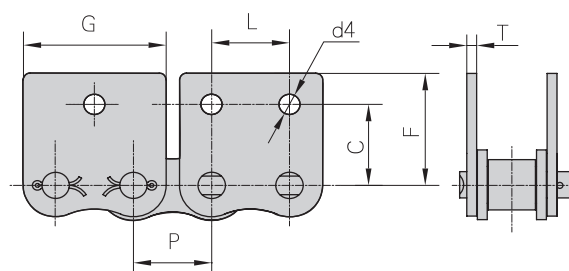
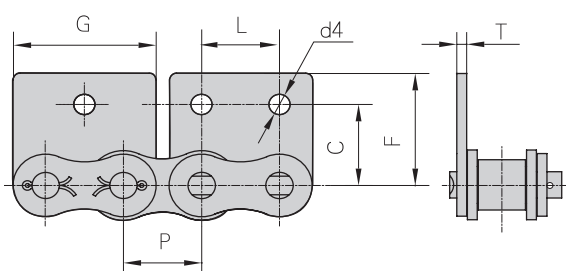
Straight, one or two holes

WSA1

WSA2

WSK1

WSK2




Example every
4th pitch = WSA / 4

Example every
2nd pitch = WSA2 / 2

Example every
4th pitch = WSK1 / 4

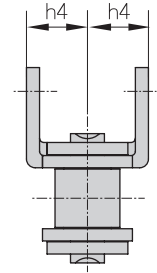
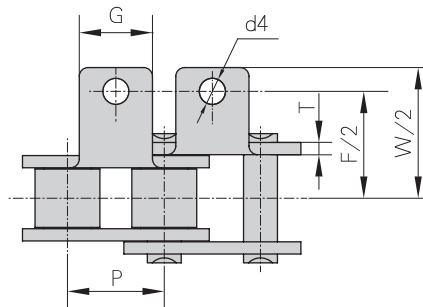
Example every
2nd pitch = WSK2 / 2

DIN Ref. 	ANSI Ref.	P	G	L	C	F	T	d4
		mm	mm	mm	mm	mm	mm	mm
06C	35	9,525	17,32	9,525	9,50	14,55	1,30	2,8
08A	40	12,700	23,00	12,700	12,70	17,40	1,50	3,4
085	41	12,700	21,20	12,700	11,85	16,55	1,30	3,6
10A	50	15,875	28,80	15,875	15,90	23,05	2,03	5,5
12A	60	19,050	34,65	19,050	18,30	26,86	2,42	5,5
16A	80	25,400	45,90	25,400	24,60	35,45	3,25	6,8
20A	100	31,750	57,65	31,750	31,80	44,00	4,00	9,2
24A	120	38,100	69,30	38,100	36,50	51,60	4,80	9,8
28A	140	44,450	80,45	44,450	44,50	62,00	5,60	11,4
32A	160	50,800	92,00	50,800	50,80	69,85	6,40	13,1
40A	200	63,500	115,50	63,500	63,50	88,90	8,00	16,3
08B		12,700	23,30	12,700	13,35	18,90	1,60	4,3
10B		15,875	29,58	15,875	16,50	22,95	1,70	5,3
12B		19,050	34,05	19,050	21,45	28,60	1,85	6,4
16B		25,400	46,40	25,400	23,15	34,00	3,10	6,4
20B		31,750	58,10	31,750	30,50	45,70	3,50	9,0

Bent European / American roller chains with special attachments

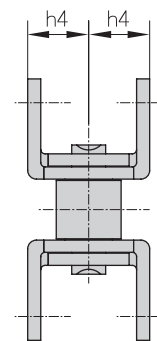
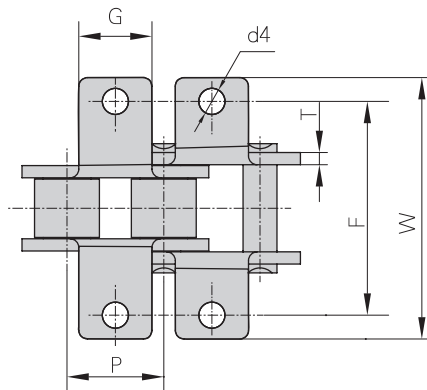
U-type, one hole

UA1/1




Example every
4th pitch =UA1/4

UK1/1



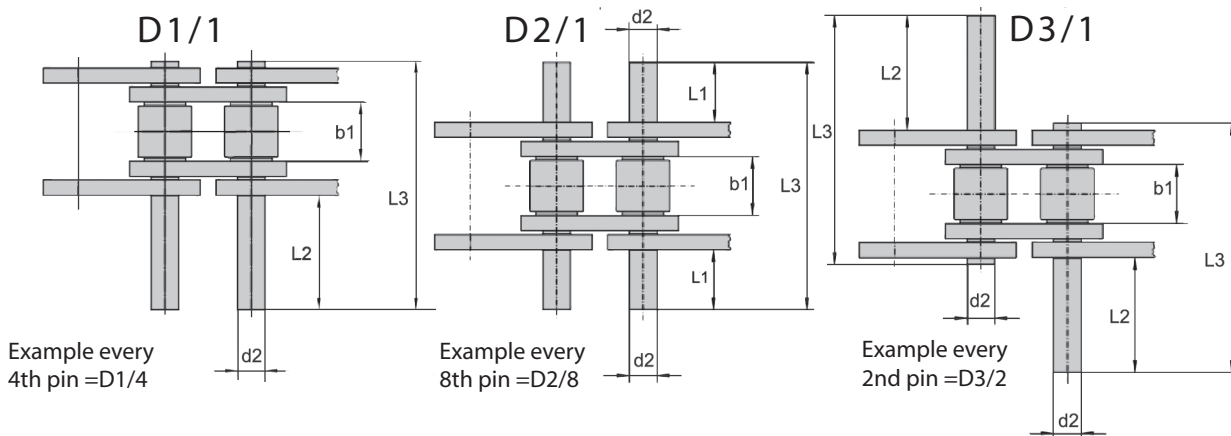
Example every
4th pitch =UK1/4


DIN Ref. 	ANSI Ref.	P	G	F	W	T	h4	d4
		mm	mm	mm	mm	mm	mm	mm
08A	40	12,700	9,5	25,40	35,2	1,50	7,90	3,4
10A	50	15,875	12,7	31,75	46,2	2,03	10,30	5,5
12A	60	19,050	15,9	38,10	55,6	2,42	11,90	5,5
16A	80	25,400	19,1	50,80	64,8	3,25	15,90	6,8
20A	100	31,750	25,4	63,50	87,3	4,00	19,80	9,2
*06B		9,525	8,0	19,04	27,0	1,30	6,50	3,5
08B		12,700	9,5	25,40	36,4	1,60	8,90	4,5
10B		15,875	14,3	31,75	44,6	1,70	10,31	5,3
12B		19,050	16,0	38,10	52,4	1,85	13,46	6,4
16B		25,400	19,1	50,80	72,6	3,10	15,88	6,4
20B		31,750	35,0	63,50	100,5	3,50	19,80	9,0

* Straight side plates

Roller chains with extended pins - DIN 8187 / 8188 ISO 606 - European / American standard

One or both sides

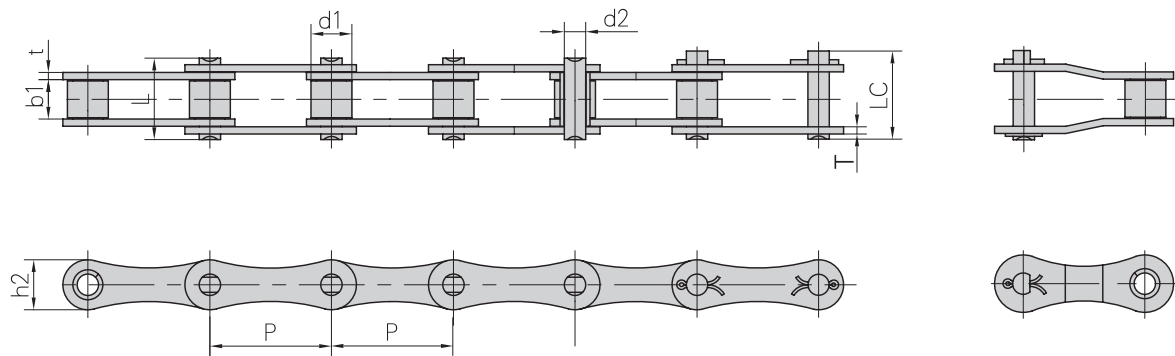


	DIN Ref.	ANSI Ref.	P	b1	d2	L1 max	L2 max	L3 max
			mm	mm	mm	mm	mm	mm
08A -(2)	40	40	12,700	7,85	3,96	8,8	16,5	32,3
08A -(3)	40	40	12,700	7,85	3,96	16,0	30,0	46,7
10A -(2)	50	50	15,875	9,40	5,08	10,8	20,6	39,9
10A -(3)	50	50	15,875	9,40	5,08	19,8	39,2	57,9
12A -(2)	60	60	19,050	12,57	5,94	13,5	25,7	49,8
12A -(3)	60	60	19,050	12,57	5,94	24,9	48,5	72,6
16A -(2)	80	80	25,400	15,75	7,92	16,9	32,2	62,7
16A -(3)	80	80	25,400	15,75	7,92	31,4	61,2	91,7
20A -(2)	100	100	31,750	18,90	9,53	20,4	39,1	77,0
20A -(3)	100	100	31,750	18,90	9,53	38,4	75,1	113,0
24A -(2)	120	120	38,100	25,22	11,10	25,4	48,9	96,3
24A -(3)	120	120	38,100	25,22	11,10	47,7	93,6	141,0
05 B -(2)	-	-	8,000	3,00	2,31	3,9	7,1	14,3
05 B -(3)	-	-	8,000	3,00	2,31	6,7	12,7	19,9
06 B -(2)	-	-	9,525	5,72	3,28	6,6	12,2	23,8
06 B -(3)	-	-	9,525	5,72	3,28	11,7	22,4	34,0
08 B -(2)	-	-	12,700	7,75	4,45	8,2	15,5	31,0
08 B -(3)	-	-	12,700	7,75	4,45	15,2	29,4	44,9
10 B -(2)	-	-	15,875	9,65	5,08	9,8	18,5	36,2
10 B -(3)	-	-	15,875	9,65	5,08	18,1	35,1	52,8
12 B -(2)	-	-	19,050	11,68	5,72	11,4	21,5	42,2
12 B -(3)	-	-	19,050	11,68	5,72	21,1	41,0	61,7
16 B -(2)	-	-	25,400	17,02	8,28	18,0	34,5	68,0
16 B -(3)	-	-	25,400	17,02	8,28	34,0	66,4	99,9
20 B -(2)	-	-	31,750	19,56	10,19	20,6	39,4	79,0
20 B -(3)	-	-	31,750	19,56	10,19	39,1	76,4	116,0
24 B -(2)	-	-	38,100	25,40	14,63	26,2	50,4	101,0
24 B -(3)	-	-	38,100	25,40	14,63	50,7	99,4	150,0

(2) pins from duplex chain (3) pins from triplex chain or on request other lengths

Double pitch conveyor chains - DIN 8187 / 8188 ISO 606 - European / ANSI - American standard

Simplex

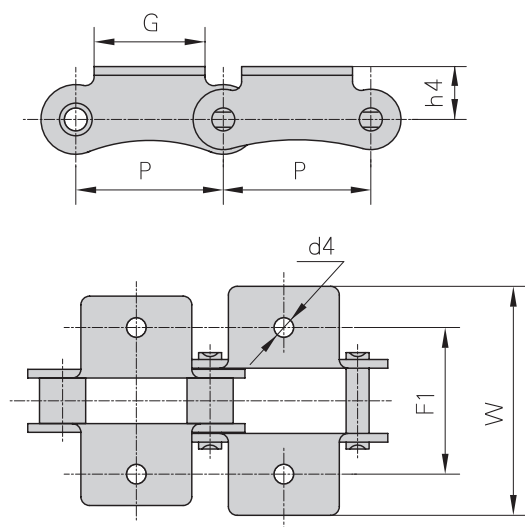


DIN Ref.	ANSI Ref.	Pitch	Roller diameter	Width between inner plates		Pin length		Inner plate height	Plate thickness	Ultimate tensile strength	Average tensile strength	Weight per meter
				b1	d2	L	Lc					
				min	max	max	max					
		mm	mm	mm	mm	mm	mm	mm	mm	kN/LB	kN	kg/m
208A	2040	25,40	7,95	7,85	3,96	16,6	17,8	12,0	1,50	14,1/3205	16,7	0,42
208B		25,40	8,51	7,75	4,45	16,7	18,2	11,8	1,60	18,0/4091	19,4	0,45
210A	2050	31,75	10,16	9,40	5,08	20,7	22,2	15,0	2,03	22,2/5045	28,1	0,73
210B		31,75	10,16	9,65	5,08	19,5	20,9	14,7	1,70	22,4/5091	27,5	0,65
212A	2060	38,10	11,91	12,57	5,94	25,9	27,7	18,0	2,42	31,8/7227	36,8	1,02
212B		38,10	12,07	11,68	5,72	22,5	25,2	16,0	1,85	29,0/6591	32,2	0,76
216A	2080	50,80	15,88	15,75	7,92	32,7	36,5	24,0	3,25	56,7/12886	65,7	1,70
216AH	2080H	50,80	15,88	15,75	7,92	36,2	39,4	24,0	4,00	56,7/12886	70,0	2,17
216B		50,80	15,88	17,02	8,28	36,1	39,1	21,0	4,15/3,1	60,0/13636	72,8	1,75
220A	2100	63,50	19,05	18,90	9,53	40,4	44,7	30,0	4,00	88,5/20114	102,6	2,55
220B		63,50	19,05	19,56	10,19	41,3	45,0	26,4	4,5/3,5	95,0/14773	106,7	2,62
224A	2120	76,20	22,23	25,22	11,10	50,3	54,3	35,7	4,80	127,0/28864	147,3	4,06
224B		76,20	25,40	25,40	14,63	53,4	57,8	33,2	6,0/4,8	160,0/36364	178,0	4,70
228B		88,90	27,94	30,99	15,90	65,1	69,5	36,7	7,5/6,0	200,0/45455	222,0	6,23
232B		101,60	29,21	30,99	17,81	66,0	71,0	42,0	7,0/6,0	250,0/56818	277,5	6,72

Double pitch conveyor chains with attachments

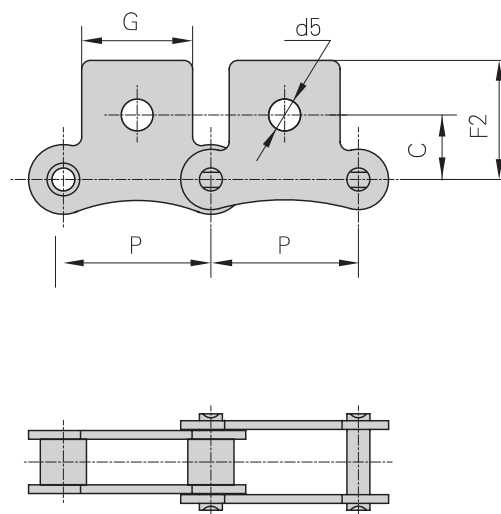
Bent & straight

K1/1




Example every 4th pitch = K1/4

SK1/1



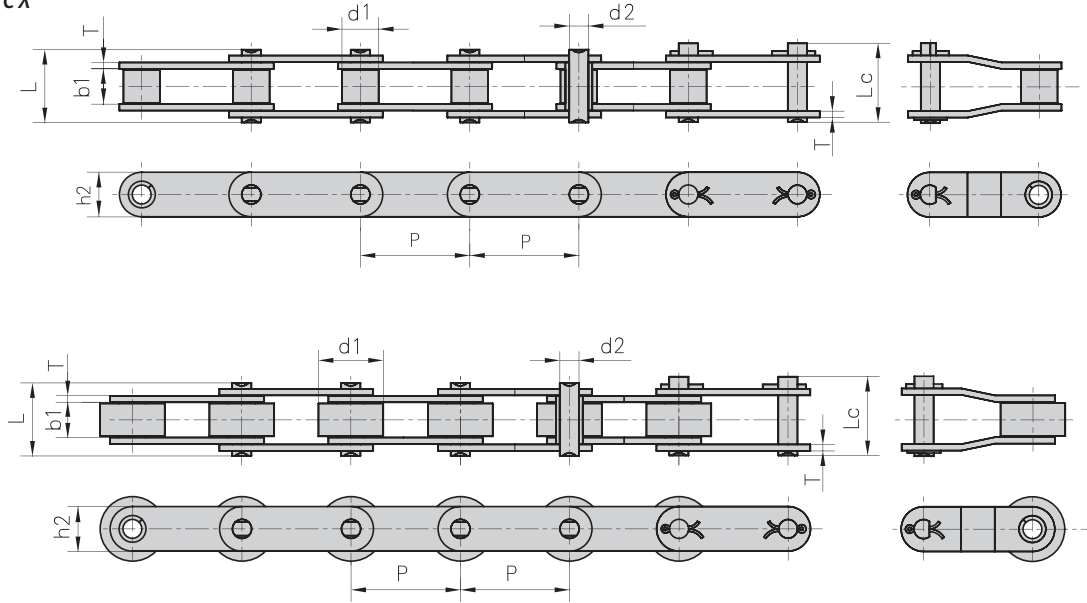
Example every 4th pitch = SK1/4

DIN Ref.	ANSI Ref.	P	G	F1	W	h4	d4	C	F2	d5
		mm	mm	mm	mm	mm	mm	mm	mm	mm
208A	2040	25,40	19,1	25,4	39,6	9,1	3,4	11,1	20,5	5,5
210A	2050	31,75	23,8	31,8	49,0	11,1	5,5	14,3	25,0	6,6
212A	2060	38,10	28,6	42,9	67,8	14,7	5,5	17,5	32,9	9,2
216A	2080	50,80	38,1	55,6	87,8	19,1	6,8	22,2	43,5	11,0
220A	2100	63,50	47,6	66,6	107,5	23,4	9,2	28,6	50,4	13,0
224A	2120	76,20	57,2	79,3	121,4	27,8	10,5	33,3	55,5	15,0
208B		25,40	23,2	25,4	39,6	9,1	4,5	11,1	20,5	5,5
210B		31,75	23,8	31,8	49,0	11,1	5,5			
212B		38,10	35,0	38,1	57,0	14,7	6,6			
216B		50,80	44,0	50,8	84,0	19,1	6,6			
220B		63,50	52,0	63,5	104,0	23,4	8,4			
224B		76,20	60,0	76,2	120,0	27,8	10,5			

Double pitch straight side plates conveyor chains

DIN 8187/8188 - ISO 606 - European / ANSI - American standard

Simplex



DIN Ref.	ANSI Ref.	Pitch	Roller diameter	Width between inner plates	Pin length		Inner plate height	Plate thickness	Ultimate tensile strength	Average tensile strength	Weight per meter								
					P	d_1 max						d_2 max	L max	L_c max	h_2 max	T max	F_B min.	F_{BA}	q
					mm	mm						mm	mm	mm	mm	mm	kN/LB	kN	kg/m
C208A C208AL	C2040 C2042 *	25,40	7,95 15,88	7,85	3,96	16,6	17,8	12,0	1,50	14,1/3205	16,7	0,50 0,84							
C208AH	C2040H	25,40	7,95	7,85	3,96	18,8	19,9	12,0	2,03	14,1/3205	17,2	0,65							
C208B C208BL		25,40	8,51 15,88	7,75	4,45	16,7	18,2	11,8	1,60	18,0/4091	19,4	0,55 0,89							
C210A C210AL	C2050 C2052 *	31,75	10,16 19,05	9,40	5,08	20,7	22,2	15,0	2,03	22,2/5045	28,1	1,78 1,27							
C212A C212AL	C2060 C2062 *	38,10	11,91 22,23	12,57	5,94	25,9	27,7	18,0	2,42	31,8/7227	36,8	1,12 1,61							
C212AH C212AHL	C2060H C2062H *	38,10	11,91 22,23	12,57	5,94	29,2	31,6	18,0	3,25	31,8/7227	41,6	1,44 2,07							
C216A C216AL	C2080 C2082 *	50,80	15,88 28,58	15,75	7,92	32,7	36,5	24,0	3,25	56,7/12886	65,7	2,08 3,12							
C216AH C216AHL	C2080H C2082H *	50,80	15,88 28,58	15,75	7,92	36,2	39,4	24,0	4,00	56,7/12886	70,0	2,54 3,58							
C220A C220AL	C2100 C2102 *	63,50	19,05 39,67	18,90	9,53	40,4	44,7	30,0	4,00	88,5/20114	102,6	3,01 4,83							
C220AH C220AHL	C2100H C2102H *	63,50	19,05 39,67	18,90	9,53	43,6	46,9	30,0	4,80	88,5/20114	112,4	3,56 5,38							
C224A C224AL	C2120 C2122 *	76,20	22,23 44,45	25,22	11,10	50,3	54,3	35,7	4,80	127,0/28864	147,3	4,66 7,66							
C224AH C224AHL	C2120H C2122H *	76,20	22,23 44,45	25,22	11,10	53,5	57,5	35,7	5,60	127,0/28864	160,9	5,26 8,26							
C232A C232AL	C2160 C2162 *	101,60	28,58 57,15	31,75	14,27	64,8	69,6	47,8	6,40	226,8/51545	278,9	8,15 13,00							
C232AH C232AHL	C2160H C2162H *	101,60	28,58 57,15	31,75	14,27	68,2	73,0	47,8	7,20	226,8/51545	285,8	9,06 12,77							

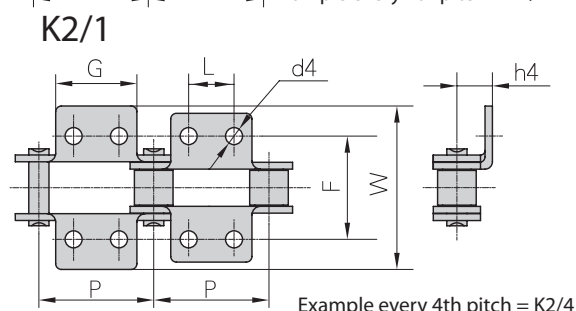
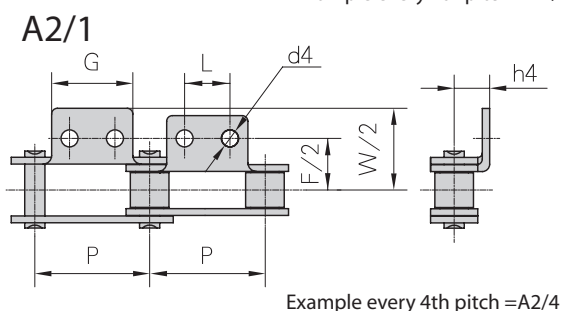
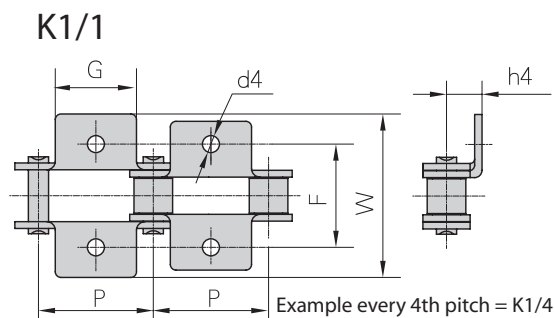
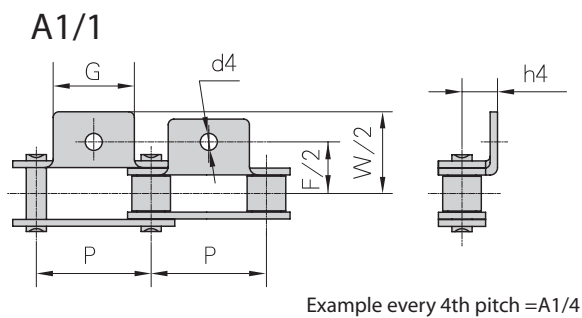
* Type with large rollers

Double pitch straight side plates conveyor chains

DIN 8187 / 8188 with attachments

ISO 606 - European / ANSI - American standard

Bent, one or two holes



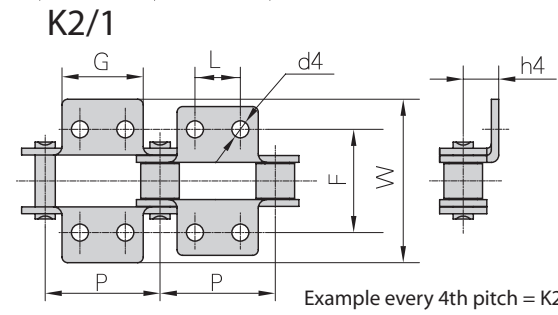
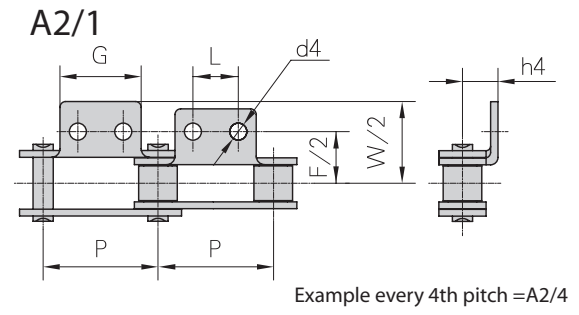
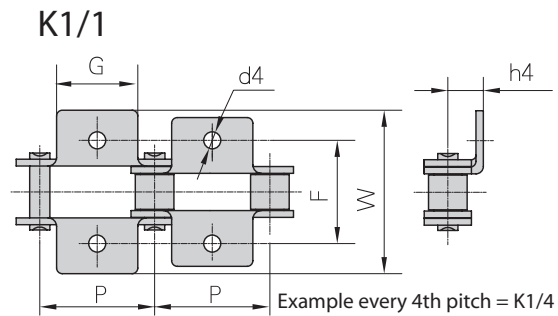
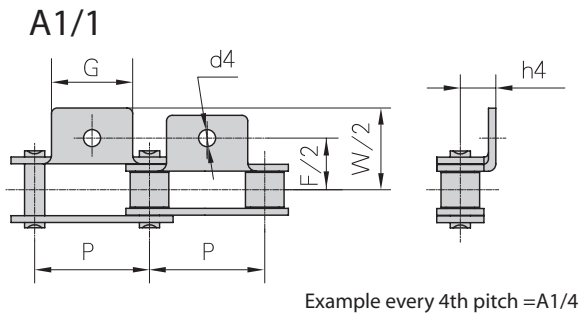
DIN Ref.	ANSI Ref.	P	G	L	F	W	h4	d4
		mm	mm	mm	mm	mm	mm	mm
C208A C208AL	C2040 C2042 *	25,4	19,1	9,5	25,4	39,6	9,1	3,4
C208B C208BL		25,4	23,2	12,7	25,4	39,6	9,1	4,5
C210A C210AL	C2050 C2052 *	31,75	23,8	11,9	31,8	49	11,1	5,5
C212A C212AL	C2060 C2062 *	38,1	28,6	14,3	42,9	67,8	14,7	5,5
C212AH C212AHL	C2060H C2062H *	38,1	28,6	14,3	42,9	67,8	14,7	5,5
C216A C216AL	C2080 C2082 *	50,8	38,1	19,1	55,6	87,8	19,1	6,8
C216AH C216AHL	C2080H C2082H *	50,8	38,1	19,1	55,6	87,8	19,1	6,8
C220A C220AL	C2100 C2102 *	63,5	47,6	23,8	66,6	107,5	23,4	9,2
C220AH C220AHL	C2102H C2102H *	63,5	47,6	23,8	66,6	107,5	23,4	9,2
C224A C224AL	C2120 C2122 *	76,2	57,2	28,6	79,3	121,4	27,8	11,0
C224AH C224AHL	C2120H C2122H *	76,2	57,2	28,6	79,3	121,4	27,8	11,0
C232A C232AL	C2160 C2162 *	101,6	76,2	38,1	104,7	151,6	36,5	13,1
C232AH C232AHL	C2160H C2162H *	101,6	76,2	38,1	104,7	151,6	36,5	13,1

* Type with large rollers see page A-33

Double pitch straight side plates conveyor chains

DIN 8187 / 8188 with attachments

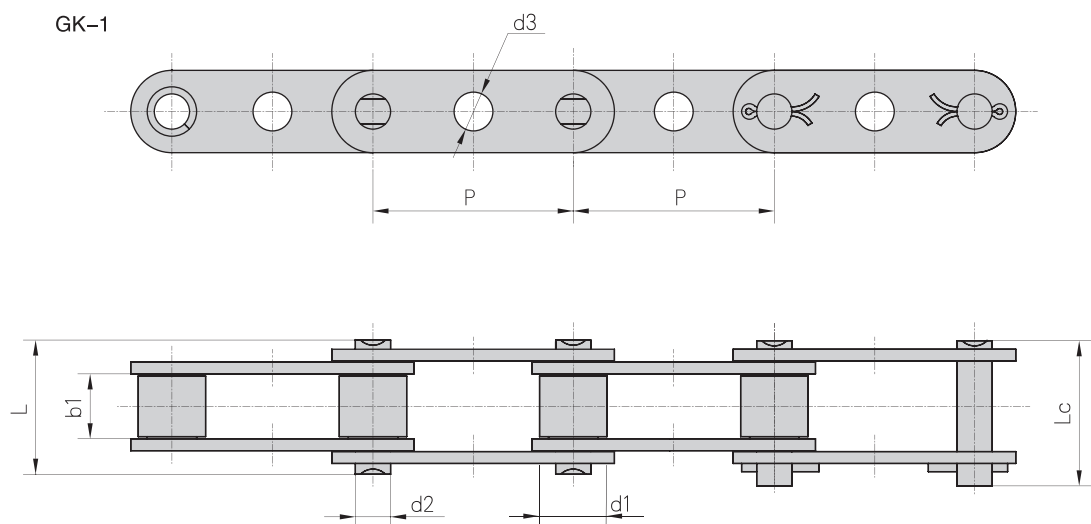
Bent, one or two holes




BTC DIN / ANSI Ref.	P	G	L	F	W	h4	d4
	mm	mm	mm	mm	mm	mm	mm
C208AF1	25.40	19.0		25.7	38.3	8.8	4.1
C2042F1	25.40	19.0		25.4	40.0	9.0	5.2
C2040A1F3	25.40	19.0		25.4	38.2	19.8	5.3
C2042A1F4	25.40	19.0		25.4	39.6	9.1	5.0
C2040A2F1	25.40	19.0	9.00	25.4	38.4	9.0	5.2
C2042HK1F1	25.40	19.0		47.0	60.0	9.1	7.0
C2050A1F6	31.75	23.8		31.8	49.0	11.4	6.3
C2052A2F1	31.75	19.0	11.90	31.8	49.0	11.1	6.0
C2052A2F2	31.75	19.0	15.88	31.8	49.0	11.1	5.5
C2052A2F3	31.75	25.8	12.70	31.8	49.2	11.1	4.8
C2060K1F1	38.10	28.6		42.9	68.0	14.7	8.5
C2062HK1F5	38.10	28.6		42.9	67.8	14.7	7.9
C2062A1F13	38.10	30.0		70.2	98.0	14.7	8.5
C2062A2F6	38.10	28.6	14.30	42.9	67.8	14.7	6.0
C2062K2F7	38.10	28.6	14.30	42.9	67.8	14.7	6.5
C2060HF3A2	38.10	28.6	14.30	42.9	67.8	14.7	5.2
C2062HF15	38.10	28.6	14.30	42.9	67.8	14.7	M5
C2060HK1F	38.10	28.6		42.9	67.8	14.7	8.0
C2062HA1F4	38.10	20.0		45.8	65.8	9.0	6.8
C2062HK1F5	38.10	28.6		42.9	67.8	14.7	7.9
C2062HA1F7	38.10	28.6		42.9	67.8	14.7	5.2
C2060HA1F12	38.10	28.0		43.4	61.8	13.9	6.6
C2060HK2F3	38.10	28.6	14.30	42.9	64.8	14.7	5.0
C2062HK2F4	38.10	28.6	14.30	42.9	56.4	14.7	5.2
C2062HK2F5	38.10	28.6	14.30	55.6	76.0	11.1	5.5
C216AF3	50.8	39.0	19.10	59.0	78.5	23.0	7.0
C2082A2F1	50.8	39.0	19.10	58.0	82.0	21.5	7.0
C2082A2F2	50.8	39.0	19.10	58.0	82.0	21.5	10.0
C2082K2F5	50.8	38.1	19.10	120.0	140.0	19.1	6.8
C2080HF	50.8	38.1	19.10	55.6	75.2	17.8	10.0

Special double straight side plates conveyor chains - DIN 8187 / 8188

Central holes



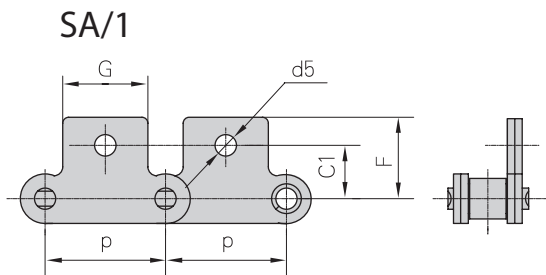
DIN Ref. 	ANSI Ref.	P	b1	d1	d2	d3	L	Lc
		mm	mm	mm	mm	mm	mm	mm
C208A C208AL	C2040 C2042 *	25,40	7,85	7,95 15,88	3,96	4,1	16,6	18,8
C210A C210AL	C2050 C2052 *	31,75	9,40	10,16 19,05	5,08	5,1	20,7	23,3
C212A C212AL	C2060 C2062 *	38,10	12,57	11,91 22,23	5,94	6,1	25,9	28,3
C212AH C212AHL	C2060H C2062H *	38,10	12,57	11,91 22,23	5,94	6,1	29,2	31,6
C216A C216AL	C2080 C2082 *	50,80	15,75	15,88 28,56	7,92	8,1	32,7	36,5
C216AH C216AHL	C2080H C2082H *	50,80	15,75	15,88 28,56	7,92	8,1	36,2	39,4
C220A C220AL	C2100 C2102 *	63,50	18,90	19,05 39,67	9,53	10,1	40,4	44,7
C220AH C220AHL	C2100H C2102H *	63,50	18,90	19,05 39,67	9,53	10,1	43,6	46,9

* Type with large rollers see page A-33

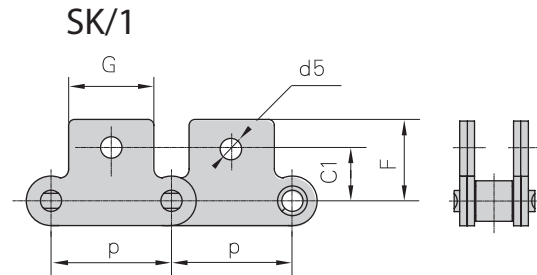
Double pitch conveyor chains - DIN 8187 / 8188 with attachments

ISO 606 - European / ANSI - American standard

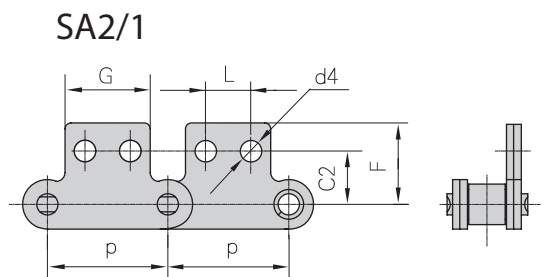
Straight, one or two holes



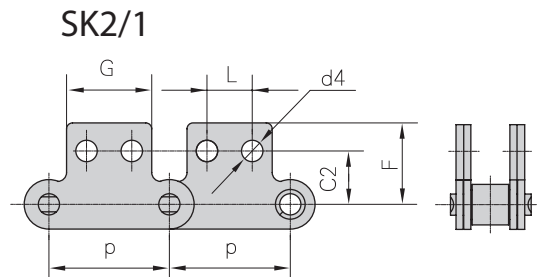
Example every 4th pitch =SA1/4



Example every 4th pitch =SK1/4



Example every 4th pitch =SA2/4



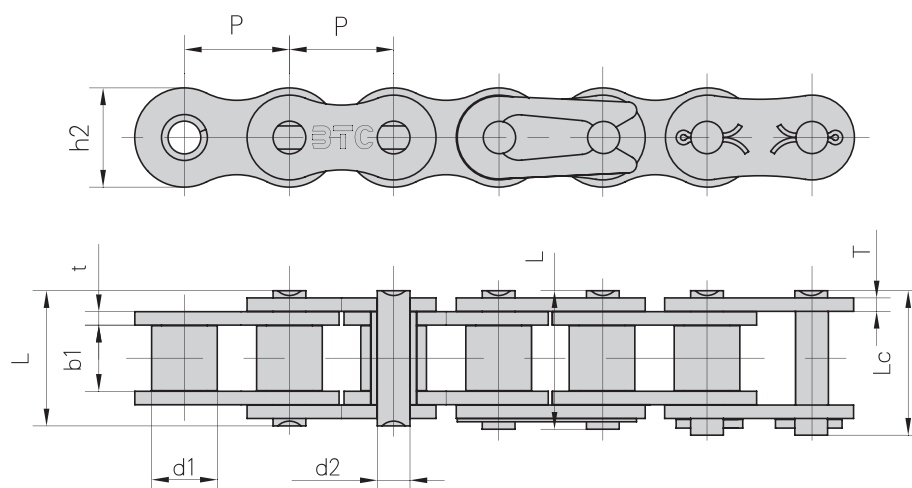
Example every 4th pitch =SK2/4

DIN Ref. 	ANSI Ref.	P	G	L	C1	C2	F	d4	d5
		mm	mm	mm	mm	mm	mm	mm	mm
C208A C208AL	C2040 C2042 *	25,40	19,10	9,50	11,10	13,50	20,50	3,40	5,50
C208B C208BL		25,40	23,20	12,70	11,10	13,50	20,50	4,50	5,50
C210A C210AL	C2050 C2052*	31,75	23,80	11,90	14,30	15,90	25,00	5,50	6,60
C212A C212AL	C2060 C2062 *	38,10	28,60	14,30	17,50	19,10	32,90	5,50	9,20
C212AH C212AHL	C2060H C2062H *	38,10	28,60	14,30	17,50	19,10	32,90	5,50	9,20
C216A C216AL	C2080 C2082 *	50,80	38,10	19,10	22,20	25,40	43,50	6,60	11,00
C216AH C216AHL	C2080H C2082H*	50,80	38,10	19,10	22,20	25,40	43,50	6,60	11,00
C220A C220AL	C2100 C2102 *	63,50	47,60	23,80	28,60	31,80	50,40	8,40	13,00
C220AH C220AHL	C2100H C2102H *	63,50	47,60	23,80	28,60	31,80	50,40	8,40	13,00

* Type with large rollers see page A-33

Stainless steel roller chains - DIN 8187 / 8188 ISO 606 - European / ANSI - American standard

Simplex



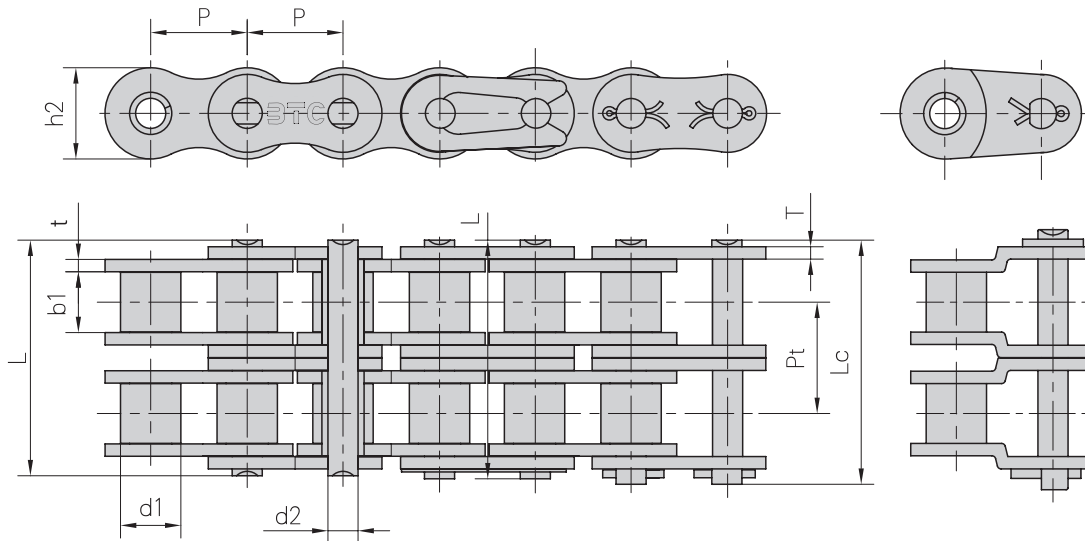
DIN / ANSI Ref. 	Pitch	Roller diameter	Width between inner plates	Pin diameter	Pin length		Inner plate height	Plate thick- ness	Ultimate tensile strength	Weight per meter
	P	d1 max	b1 min	d2 max	L max	Lc max	h2 max	t/T max	F _B min.	q
	mm	mm	mm	mm	mm	mm	mm	mm	kN	kg/m
*25SS	6,350	3,30	3,18	2,31	7,9	8,4	6,00	0,8	2,5/568	0,15
*35SS	9,525	5,08	4,77	3,58	12,4	13,2	9,00	1,30	5,5/1250	0,33
40SS	12,700	7,95	7,85	3,96	16,6	17,8	12,00	1,50	9,6/2182	0,63
41SS	12,700	7,77	6,25	3,58	13,8	15,0	9,91	1,30	6,0/1360	0,46
50SS	15,875	10,16	9,40	5,08	20,7	22,2	15,09	2,03	15,2/3455	1,03
60SS	19,050	11,91	12,57	5,94	25,9	27,7	18,00	2,42	21,7/4932	1,51
80SS	25,400	15,88	15,75	7,92	32,7	35,0	24,00	3,25	38,9/8841	2,62
100SS	31,750	19,05	18,90	9,53	40,4	44,7	30,00	4,00	60,0/13636	3,94
120SS	38,100	22,23	25,22	11,10	50,3	54,3	35,70	4,80	72,5/16477	5,72
140SS	44,450	25,40	25,22	12,70	54,4	59,0	41,00	5,60	94,0/21363	7,70
04SS	6,000	4,00	2,80	1,85	6,8	7,8	5,00	0,60	2,0/455	0,11
05BSS	8,000	5,00	3,00	2,31	8,2	8,9	7,10	0,80	3,5/795	0,20
#06BSS	9,525	6,35	5,72	3,28	13,2	14,1	8,20	1,30	6,2/1409	0,41
08BSS	12,700	8,51	7,75	4,45	16,7	18,2	11,80	1,60	12,0/2727	0,70
10BSS	15,875	10,16	9,65	5,08	19,5	20,9	14,70	1,70	14,5/3295	0,94
12BSS	19,050	12,07	11,68	5,72	22,5	24,2	16,00	1,85	18,5/4205	1,16
16BSS	25,400	15,88	17,02	8,28	36,1	37,4	21,00	4,15/3,1	40,0/9091	2,73
20BSS	31,750	19,05	19,56	10,19	41,3	45,0	26,40	4,5/3,5	59,0/13409	3,73
24BSS	38,100	25,40	25,40	14,63	53,4	57,8	33,20	6,0/4,8	104,0/25454	7,20
32BSS	50,800	29,21	30,99	17,81	66,0	71,0	42,00	7,0/6,0	150,0/34090	10,22


* Bushing chains: d1 in the table indicate the external diameter of the bushing
Straight side plates

Stainless steel roller chains - DIN 8187 / 8188


ISO 606 - European / ANSI - American standard

Duplex



DIN Ref. 	Pitch	Roller diameter	Width between inner plates	Pin diameter	Pin length		Inner plate depth	Plate thickness	Transverse pitch	Ultimate tensile strength	Weight per meter
	P	d1 max	b1 min	d2 max	L max	Lc max	h2 max	t/T max	Pt	F _B min	q
	mm	mm	mm	mm	mm	mm	mm	mm	mm	kN/LB	kg/m
05B-2SS	8,00	5,00	3,00	2,31	13,9	14,5	7,10	0,80	5,64	6,2/1409	0,36
*06B-2SS	9,52	6,35	5,72	3,28	23,4	24,4	8,20	1,30	10,24	11,9/2704	0,78
08B-2SS	12,70	8,51	7,75	4,45	31,2	32,2	11,80	1,60	13,92	20,8/4265	1,36
10B-2SS	15,87	10,16	9,65	5,08	36,1	37,5	14,70	1,70	16,59	26,3/5976	1,92
12B-2SS	19,05	12,07	11,68	5,72	42,0	43,6	16,00	1,85	19,46	35,4/8044	2,44
16B-2SS	25,40	15,88	17,02	8,28	68,0	69,3	21,00	4,15/3,1	31,88	68,0/15452	5,58
20B-2SS	31,75	19,05	19,56	10,19	77,8	81,5	26,40	4,5/3,5	36,45	110,6/24996	7,77
24B-2SS	38,10	25,40	25,40	14,63	101,7	106,2	33,20	6,0/4,8	48,36	182/41403	14,48

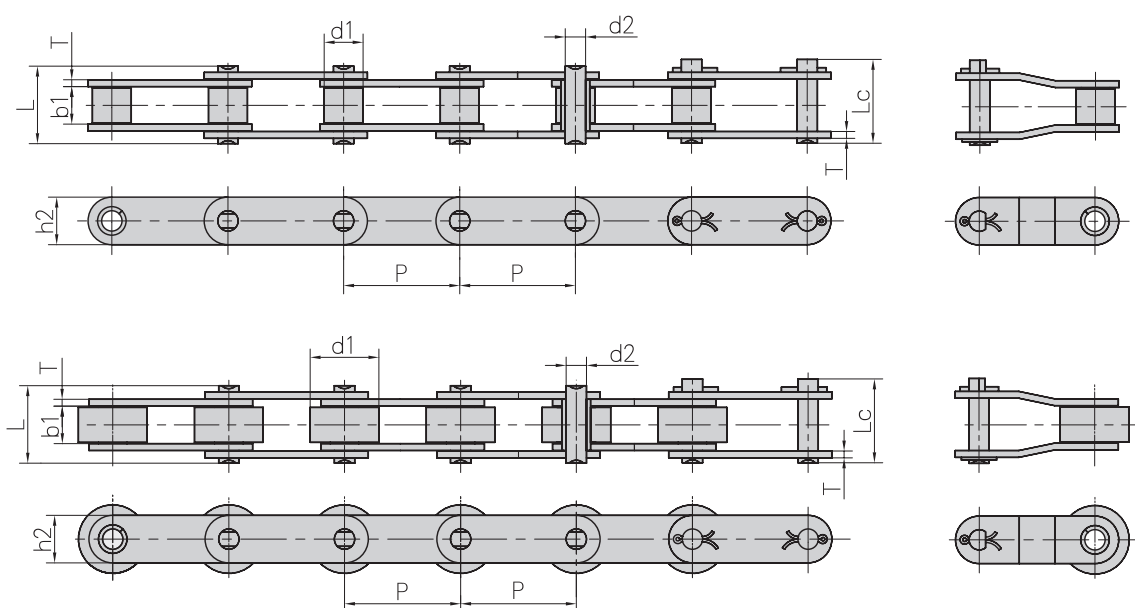
* Straight side plates

DIN Ref. 	Pitch	Roller diameter	Width between inner plates	Pin diameter	Pin length		Inner plate depth	Plate thickness	Transverse pitch	Ultimate tensile strength	Weight per meter
	P	d1 max	b1 min	d2 max	L max	Lc max	h2 max	t/T max	Pt	F _B min	q
	mm	mm	mm	mm	mm	mm	mm	mm	mm	kN/LB	kg/m
*35-2SS	9,52	5,08	4,77	3,58	22,5	23,3	9,00	1,30	10,13	10,8/4045	0,70
40-2SS	12,70	7,95	7,85	3,96	31,0	32,2	12,00	1,50	14,38	17,9/4068	1,30
50-2SS	15,87	10,16	9,40	5,08	38,9	40,4	15,09	2,03	18,11	28,9/6567	2,10
60-2SS	19,05	11,91	12,57	5,94	48,8	50,5	18,00	2,42	22,78	36,5/8294	3,09
80-2SS	25,40	15,88	15,75	7,92	62,7	64,3	24,00	3,25	29,29	67,2/15270	5,20
100-2SS	31,75	19,05	18,90	9,53	76,4	80,5	30,00	4,00	35,76	109,1/24791	8,01
120-2SS	38,10	22,23	25,22	11,10	95,8	99,7	35,70	4,80	45,44	165,1/37517	11,84

* Straight side plates

Double pitch stainless steel conveyor chains

Simplex

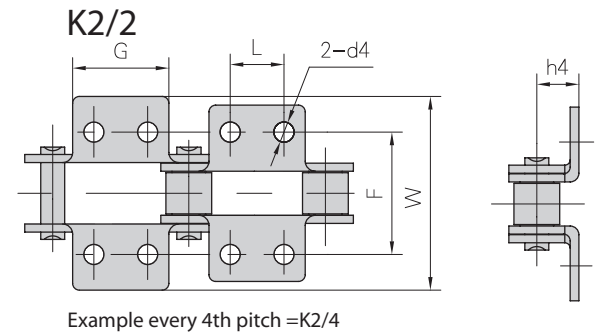
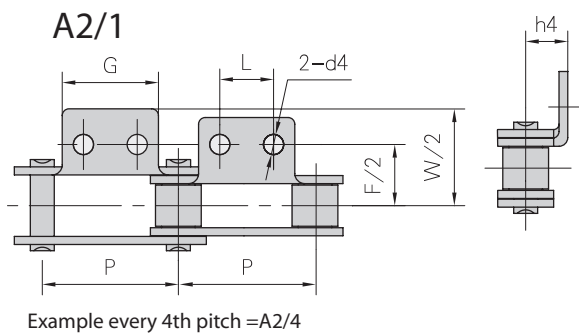
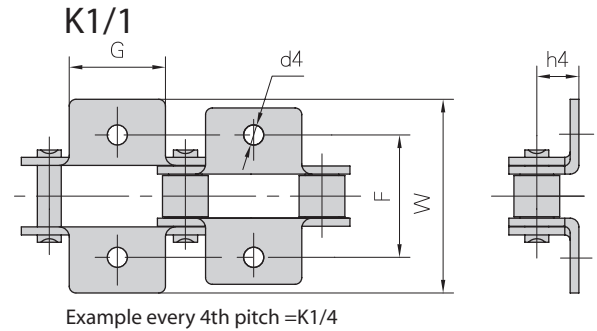
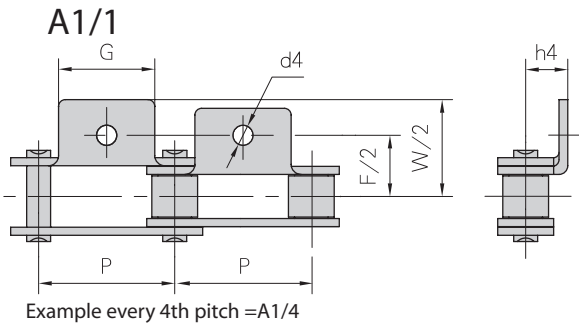



ANSI DIN Ref.	Pitch	Roller diameter	Width between inner plates	Pin diameter	Pin length		Inner plate height	Plate thick- ness	Ultimate tensile strength	Weight per meter
	P	d1 max	b1 min	d2 max	L max	Lc max	h2 max	T max	F _B min.	q
	mm	mm	mm	mm	mm	mm	mm	mm	kN/LB	kg/m
C2040SS C2042SS *	25,40	7,95 15,88	7,85	4,0	16,6	17,8	12,0	1,50	9,6/2182	0,51 0,85
C2040HSS	25,40	7,95	7,85	4,0	18,8	19,9	12,0	2,03	9,6/2182	0,66
C208BSS C208BLSS *	25,40	8,51 15,88	7,75	4,5	16,7	18,2	11,8	1,60	12,0/2727	0,56 0,90
C2050SS C2052SS *	31,75	10,16 19,05	9,40	5,1	20,7	22,2	15,0	2,03	15,2/3455	0,79 1,29
C2060SS C2062SS *	38,10	11,91 22,23	12,57	5,9	25,9	27,7	18,0	2,42	21,7/4932	1,13 1,63
C2060HSS C2062HSS *	38,10	11,91 22,23	12,57	5,9	29,2	31,6	18,0	3,25	21,7/4932	1,46 2,10
C2080SS C2082SS *	50,80	15,88 28,58	15,75	7,9	32,7	36,5	24,0	3,25	38,9/8841	2,11 3,16
C2080HSS C2082HSS *	50,80	15,88 28,58	15,75	7,9	36,2	39,4	24,0	4,00	38,9/8841	2,57 3,63
C2100SS C2102SS *	63,50	19,05 39,67	18,90	9,5	40,4	44,7	30,0	4,00	60,0/13636	3,05 4,89
C2100HSS C2102HSS *	63,50	19,05 39,67	18,90	9,5	43,6	46,9	30,0	4,80	60,0/13636	3,61 5,45

* Type with large rollers see page A-31

Double pitch stainless steel conveyor chains with attachments

Bent, one or two holes

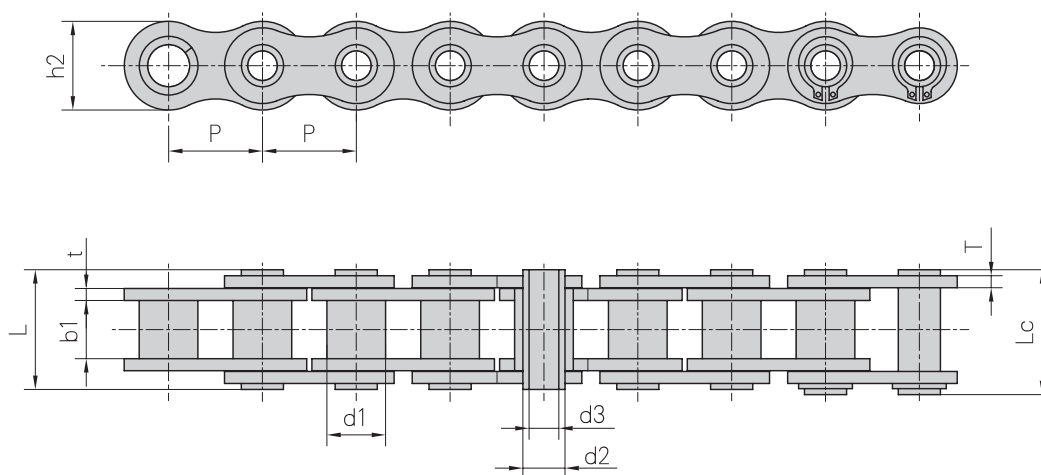


 ANSI DIN Ref.	P	G	L	F	W	h4	d4
	mm	mm	mm	mm	mm	mm	mm
C2040SS C2042SS *	25,4	19,1	9,5	25,4	39,6	9,1	3,4
C208BSS C208BLSS *	25,4	23,2	12,7	25,4	39,6	9,1	4,5
C2050SS C2052SS *	31,75	23,8	11,9	31,8	49	11,1	5,5
C2060SS C2062SS *	38,1	28,6	14,3	42,9	67,8	14,7	5,5
C2060HSS C2062HSS *	38,1	28,6	14,3	42,9	67,8	14,7	5,5
C2080SS C2082SS *	50,8	38,1	19,1	55,6	87,8	19,1	6,8
C2080HSS C2082HSS *	50,8	38,1	19,1	55,6	87,8	19,1	6,8
C2100SS C2102SS *	63,5	47,6	23,8	66,6	107,5	23,4	9,2
C2100HSS C2102HSS *	63,5	47,6	23,8	66,6	107,5	23,4	9,2

* Type with large rollers

Hollow pin bushing chains (without roller)

Simplex



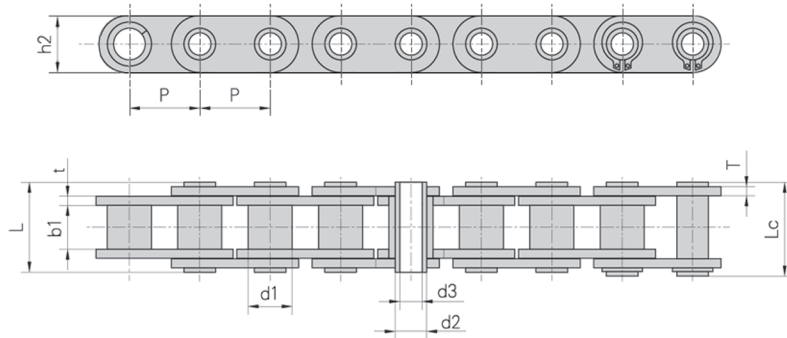
DIN ANSI Ref.	Pitch P	Bush diameter d_1 max	Width between inner plates b_1 min	Pin diameter		Pin length		Inner plate height h_2 max	Plate thick- ness t/T max	Ultimate tensile strength F_B min.	Average tensile strength F_{BA}	Weight per meter q
				d_2 max	d_3 min	L max	L_c max					
				mm	mm	mm	mm					
08BHP	12,70	8,51	7,75	6,55	4,50	16,4	17,6	11,80	1,6/1,3	11,1/2523	12,1	0,56
10BHPF4	15,87	10,16	9,50	7,20	5,00	19,8	21,3	14,00	2,03/1,6	12,5/2840	14,0	0,82
10BHP	15,87	10,16	9,65	7,02	5,00	19,5	20,5	14,70	1,70	10,0/2272	11,5	0,86
12BHP	19,05	12,07	11,68	8,09	6,00	22,7	23,9	16,10	1,85	14,0/3180	16,0	0,82
16BHP	25,40	15,88	17,02	11,50	8,10	35,3	37,0	23,20	4,0/3,1	49,0/11136	52,2	2,26
40HP	12,70	7,95	7,85	5,63	4,00	16,5	17,6	12,00	1,50	11,0/2500	12,2	0,54
50HP	15,87	10,16	9,40	7,03	5,13	20,7	21,9	15,09	2,03	20,0/4545	22,6	0,91
50H HP	15,87	10,16	9,40	7,03	5,13	22,6	24,4	15,09	2,42	21,9/4976	23,9	1,05
60HPF1	19,05	11,91	12,70	8,31	5,01	25,5	26,8	18,00	2,42	28,0/6364	30,9	1,37
60HP	19,05	11,91	12,70	8,31	6,05	25,8	26,8	18,00	2,42	24,0/5455	26,9	1,29
80HP	25,40	15,88	15,75	11,40	8,05	32,5	33,8	24,00	3,25	50,0/11364	52,0	2,26
80HPF2	25,40	15,88	15,75	11,40	8,40	32,5	33,8	24,00	3,25	45,0/10227	48,0	2,23

Nickel plated or zinc plated on request

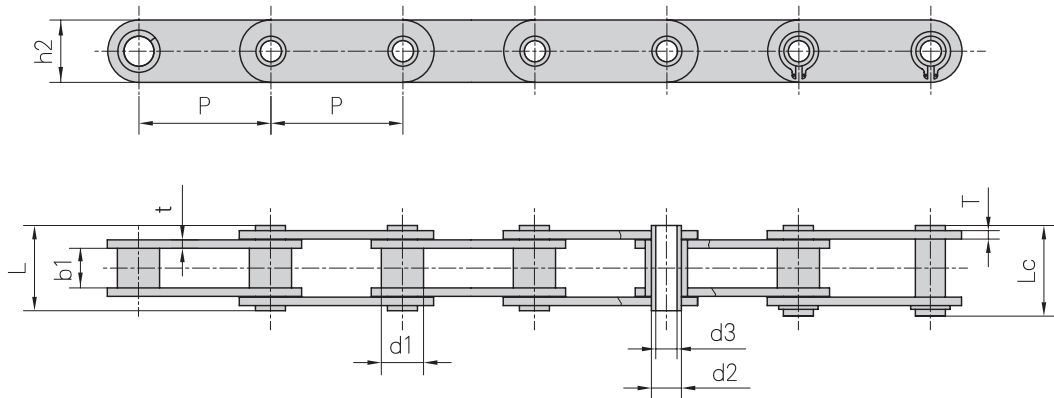
Hollow pin & double pitch bushing chains (without roller)


Simplex

Type A



Type B

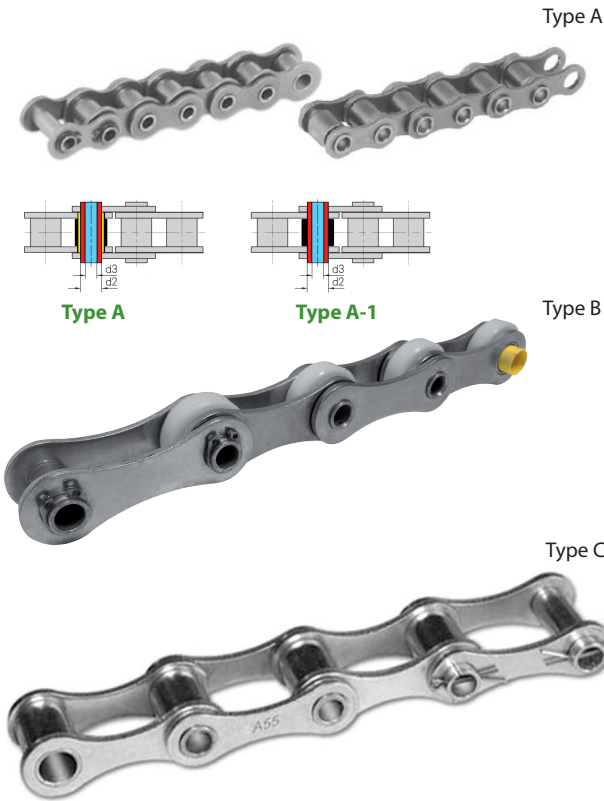


DIN ANSI Ref.	Pitch	Bush diameter	Width between inner plates	Pin diameter		Pin length		Inner plate height	Plate thick- ness	Ultimate tensile strength	Average tensile strength	Weight per meter	
	P	d1 max	b1 min	d2 max	d3 min	L max	Lc max	h2 max	t/T max	F _B min.	F _{BA}	q	
	mm	mm	mm	mm	mm	mm	mm	mm	mm	kN/LB	kN	kg/m	
C40HP	12,70	7,95	7,85	5,63	4,00	16,5	17,6	12,00	1,50	11,0/2500	12,2	0,64	A
C50HP	15,87	10,16	9,40	7,03	5,13	20,7	21,9	15,09	2,03	20,0/4545	22,6	1,05	A
C60HP	19,05	11,91	12,70	8,31	6,00	25,8	26,8	18,00	2,42	24,0/5455	26,9	1,52	A
C80HP	25,40	15,88	15,75	11,40	8,05	32,5	33,8	24,00	3,25	50,0/11364	52,0	2,63	A
HP40F1	40,00	18,00	22,00	12,00	8,00	47,5	48,2	35,00	5,00	57,0/13049	63,8	5,38	A
HP40F2	40,00	18,00	22,00	12,00	8,20	47,5	48,2	35,00	5,00	57,0/13049	63,0	5,37	A
HP50F1	50,00	26,00	14,50	20,00	14,70	35,3	36,2	40,00	3,10	30,0/6818	33,6	3,98	A
C2040HP	25,40	7,95	7,85	5,63	4,00	16,5	17,6	12,00	1,50	11,0/2500	12,6	0,46	B
C2050HP	31,75	10,16	9,40	7,22	5,12	20,5	21,8	15,00	2,03	20,4/4636	22,8	0,76	B
C2060HP	38,10	11,91	12,70	8,31	6,00	25,8	26,8	17,00	2,42	24,0/5455	27,1	1,02	B
C2080HP	50,80	15,88	15,75	11,40	8,05	32,5	33,8	24,00	3,25	50,0/11364	52,0	1,81	B

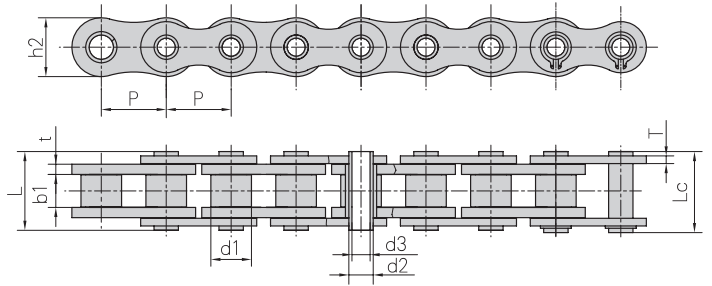
Nickel plated or zinc plated on request

Hollow pin roller chains

Simplex



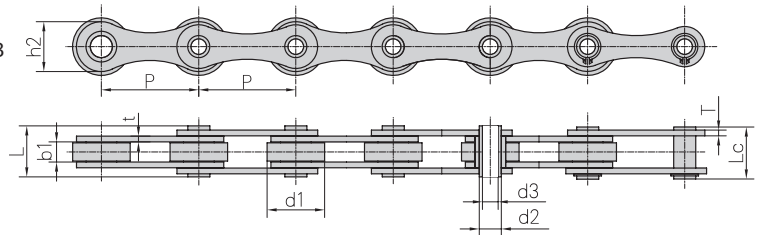
Type A



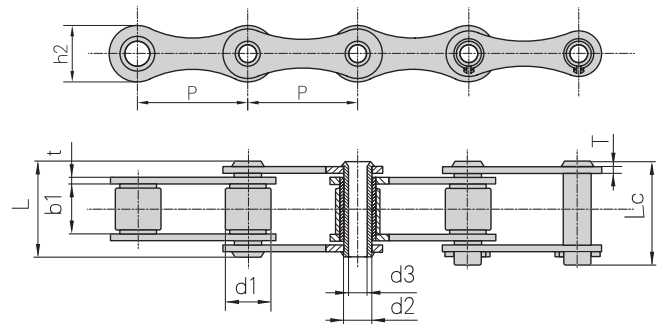
Type A


Type A-1

Type B



Type C

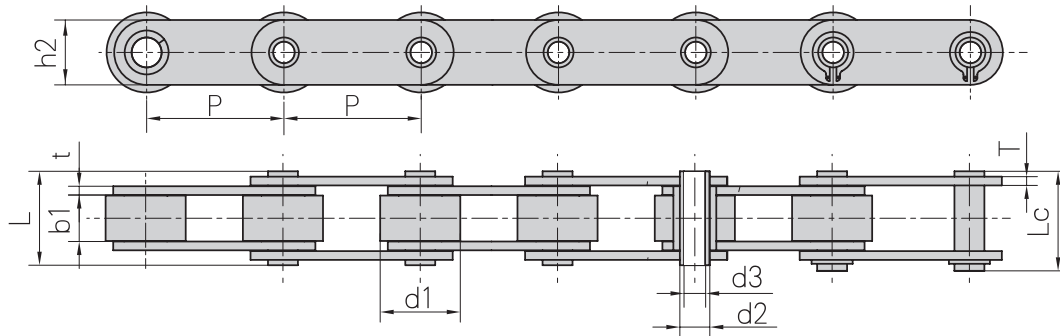


DIN ANSI Ref.	Pitch	Roller diameter	Width between inner plates	Pin diameter		Pin length		Inner plate height	Plate thick- ness	Ultimate tensile strength	Average tensile strength	Weight per meter	
				d2	d3	L	Lc						
				max	min	max	max						
	P	d1	b1	d2	d3	L	Lc	h2	t/T	F _B	F _{BA}	q	
	mm	mm	mm	mm	mm	mm	mm	mm	mm	kN/LB	kN	kg/m	
08BHB	12,70	8,51	7,75	6,30	4,20	16,8	18,0	12,00	1,60	12,00/2827	13,1	0,60	A-1
10BHB	15,87	10,16	9,65	5,94	4,10	19,3	20,6	14,70	1,70	17,00/3864	20,8	0,86	A
12BHB	19,05	12,07	11,68	6,50	4,05	21,6	22,8	15,90	1,85	23,6/5364	25,9	1,09	A
12BHB F1	19,05	12,07	11,68	8,00	5,20	22,7	23,9	15,90	1,85	25,00/5682	26,8	1,10	A-1
60HB	19,05	11,91	12,70	7,00	5,10	26,3	27,6	18,00	2,42	20,00/4545	22,4	1,41	A
60HB SP	19,05	11,91	12,70	8,30	6,30	25,6	26,6	14,00	2,42	20,2/4590	22,5	1,40	A-1
16BHB	25,40	15,88	12,70	9,53	7,05	30,8	32,2	23,00	4,15/3,1	40,00/9091	45,0	2,28	A
HB35	35,00	20,00	16,00	13,35	10,20	30,4	31,6	26,30	2,50	23,52/5345	26,4	2,02	C
HB38.1	38,10	20,00	8,00	8,00	5,30	19,6	20,7	17,30	2,03	28,00/5682	28,8	0,98	B
HB38.1 F1	38,10	20,00	18,00	10,50	5,10	39,0	40,3	22,00	4,00	60,00/13636	64,3	2,59	B
A55ZP	41,75	17,10	20,20	11,11	8,20	35,7	39,0	21,65	3,10	26,5/6022	29,2	1,60	C
HB50	50,00	30,00	10,50	11,40	8,20	27,4	28,6	26,00	3,10	50,00/11364	53,6	2,23	B
HB50 F2	50,00	31,00	15,00	13,20	10,20	36,5	38,0	25,00	4,00	40,00/9091	43,2	3,40	B
*HB50.80	50,80	30,00	10,50	11,40	8,20	27,4	28,6	26,00	3,10	50,00/11364	53,6	2,56	B
HB63	63,00	30,00	10,00	11,40	8,10	26,7	28,1	26,50	3,10	50,00/11364	53,6	2,07	B
HB100	100,00	30,00	10,50	11,40	8,20	27,4	28,6	26,00	3,10	50,00/11364	53,6	1,56	B

*Also available in zinc plated complete or zinc plated with or without thermoplastic bushing and with or without PA6 roller.

Hollow pin double pitch conveyor chains

Simplex

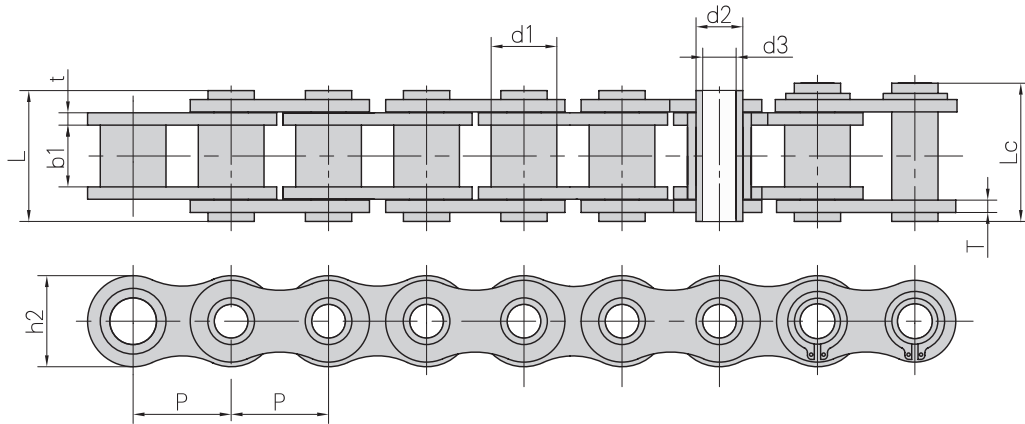


ANSI DIN Ref.	Pitch	Roller diameter	Width between inner plates	Pin diameter		Pin length		Inner plate height	Plate thick- ness	Ultimate tensile strength	Average tensile strength	Weight per meter
	P	d1 max	b1 min	d2 max	d3 min	L max	Lc max	h2 max	t/T max	F _B min.	F _{BA}	q
	mm	mm	mm	mm	mm	mm	mm	mm	mm	kN/LB	kN	kg/m
C2042HP	25,40	15,88	7,85	5,63	4,00	16,5	17,6	12,0	1,50	11,0/2500	12,6	0,78
C2052HP	31,75	19,05	9,53	7,22	5,12	20,5	21,8	15,0	2,03	20,4/4636	22,8	1,25
C2062HP	38,10	22,23	12,70	8,31	6,00	25,8	26,8	17,0	2,42	24,0/5455	27,1	1,72
C2082HP	50,80	28,58	15,75	11,40	8,05	32,4	33,8	24,0	3,25	50,0/11364	52,0	2,82
C2052HPF1	31,75	19,05	9,40	7,03	5,12	20,0	21,5	15,3	1,85	15,0/3409	17,3	1,21
C2052HPF3	31,75	19,05	9,53	7,02	5,13	20,1	21,6	15,1	2,03	19,6/4455	21,6	1,20
C2042H-HP	25,40	15,88	7,85	5,63	4,00	18,8	19,9	12,0	2,03	11,0/2500	13,2	0,95
C2052H-HP	31,75	19,05	9,53	7,22	5,12	22,1	23,4	15,0	2,42	20,4/4545	23,5	1,44
C2062H-HP	38,10	22,23	12,70	8,31	6,00	29,2	30,2	17,0	3,25	24,0/5455	27,6	1,99
C2082H-HP	50,80	28,58	15,75	11,40	8,05	35,7	37,0	24,0	4,00	50,0/11364	56,5	3,34
HP40	40,00	22,00	8,75	9,00	6,00	23,0	24,2	18,0	2,50	27,0/4545	28,0	1,49
HP50	50,00	31,00	14,50	13,20	10,40	31,1	32,5	25,0	3,10	30,0/6818	34,2	3,29
HP50F4	50,00	31,00	15,00	13,20	10,20	36,5	38,0	25,0	4,00	40,0/9091	44,8	3,73
63HPF1	63,00	40,00	15,00	16,00	12,10	35,0	36,2	28,5	4,00	50,0/11364	56,7	4,20
HB38.1 F2	38,10	25,40	12,70	9,50	6,60	26,6	28,0	19,1	2,30	20,0/4545	22,4	2,07
HB50.8F3	50,80	30,00	16,00	14,00	9,00	36,4	37,5	25,5	3,10	42,0/9545	47,0	3,20
HB75	75,00	40,00	22,00	18,00	12,20	42,0	44,0	35,0	4,00	60,0/13636	72,0	5,57
HB76.2	76,20	31,75	15,50	12,70	9,50	35,5	37,0	26,0	4,00	42,0/9545	49,2	3,25
HB76.2F2	76,20	47,60	20,00	24,00	18,50	44,5	46,1	40,0	5,0/4,0	79,0/17953	92,5	6,77
HB80	80,00	50,00	20,00	24,00	18,50	44,5	46,1	40,0	5,0/4,0	79,0/17953	92,5	6,81
HP100	100,00	45,00	22,00	16,00	12,00	46,0	47,5	35,0	5,00	75,0/17044	90,0	6,20
HP100F1	100,00	45,00	22,00	18,00	12,00	47,2	48,5	35,0	5,00	75,0/17044	90,0	6,15
HP101.6F1	101,60	47,60	19,00	19,00	13,20	46,2	48,0	40,0	5,0/4,0	53,0/12045	58,2	6,09
HP101.6F2	101,60	66,70	25,40	26,90	20,10	59,2	60,7	51,0	7,1/5,1	150,0/34088	160,0	14,23
HP152	152,40	66,70	25,40	26,90	19,56	57,2	59,5	50,8	7,1/5,1	94,0/21362	107,8	9,9
HP152.4F1	152,40	47,60	19,00	19,00	13,20	46,2	48,0	40,0	5,0/4,0	54,0/12270	59,5	5,0

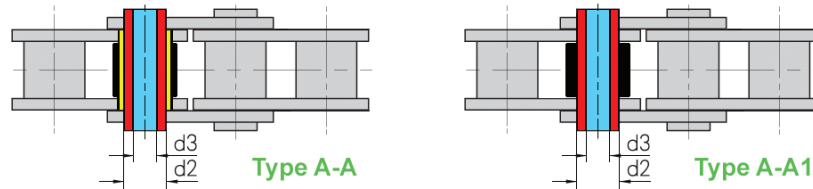
Stainless steel hollow pin bushing & roller chains

Simplex

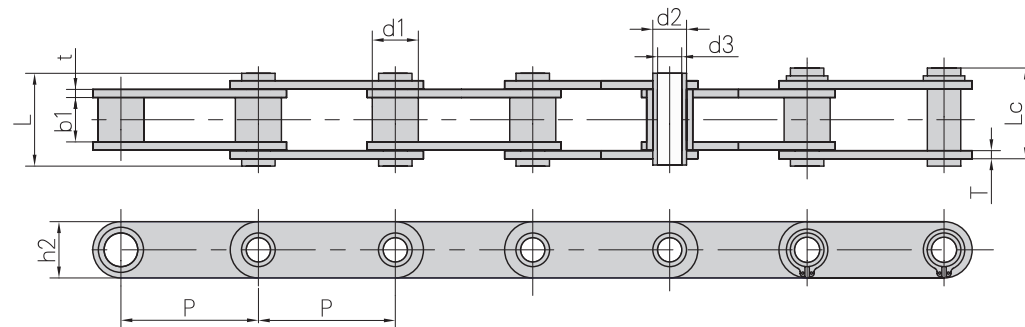
Type A
(bushing type)



Type A-A
A-A1
(roller type)



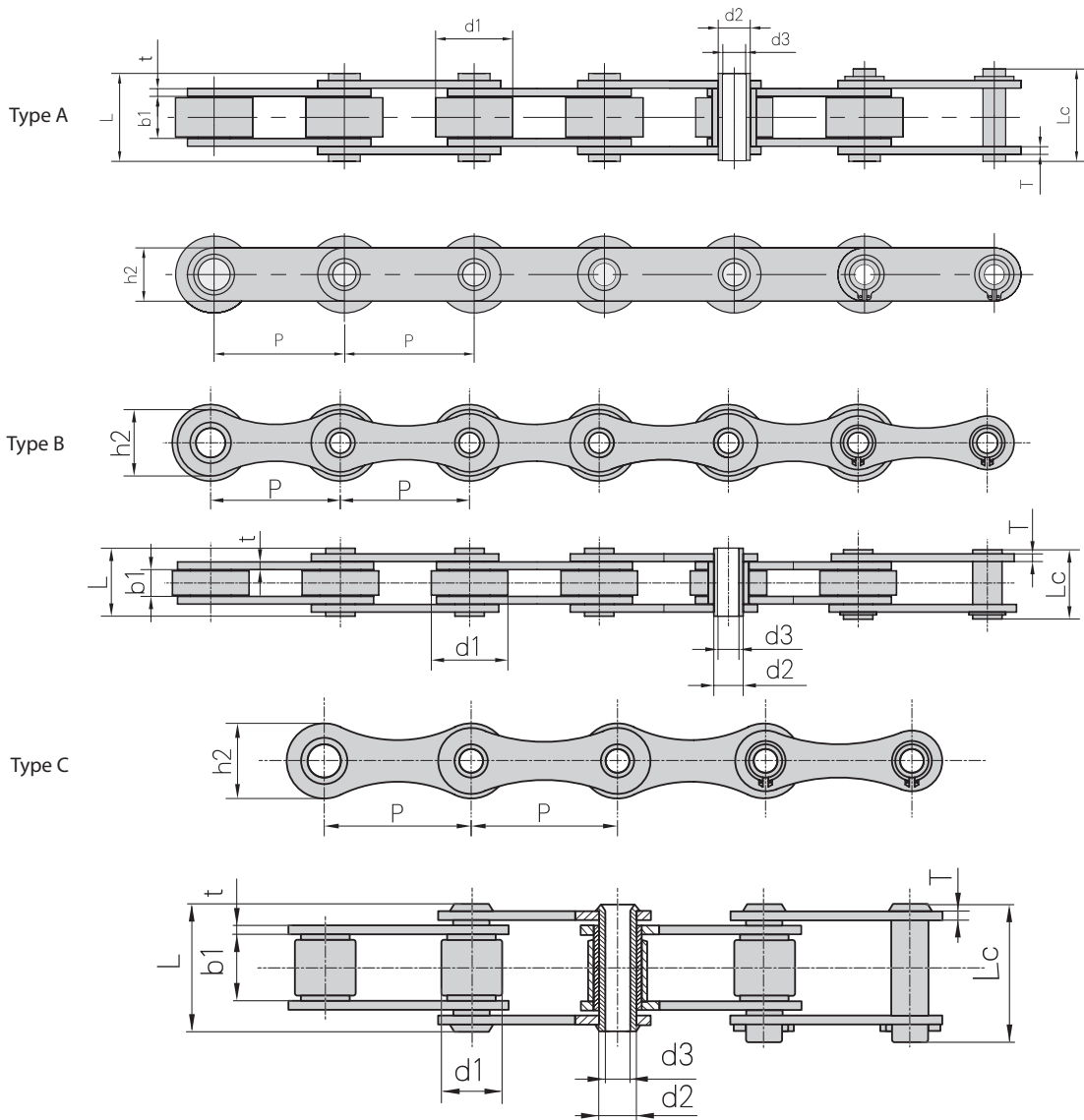
Type B
(bushing type)




DIN ANSI Ref.	Pitch	Bush diameter	Width between inner plates	Pin diameter		Pin length		Inner plate height	Plate thick- ness	Ultimate tensile strength	Weight per meter	
	P	d1 max	b1 min	d2 max	d3 min	L max	Lc max	h2 max	t/T max	F _B min.	q	
	mm	mm	mm	mm	mm	mm	mm	mm	mm	kN/LB	kg/m	
08BHPSS	12,70	8,51	7,75	6,55	4,50	16,4	17,6	11,80	1,6/1,3	7,8/1773	0,57	A
10BHPSS	15,87	10,16	9,65	7,20	5,13	19,5	20,5	14,70	1,70	7,0/1590	0,85	A
12BHPSS	19,05	12,07	11,68	6,50	4,00	21,6	22,8	15,90	1,85	16,5/3750	1,10	A
12BHBPSS	19,05	12,07	11,68	6,70	4,20	21,6	22,6	15,75	1,80	15,8/3590	1,08	A-A
12BHBF1SS	19,05	12,07	11,68	8,10	6,10	22,5	23,7	16,10	1,88	16,2/3680	1,05	A-A1
16BHPSS	25,40	15,88	17,02	11,50	8,20	35,3	37,0	23,20	4,0/3,1	34,3/7790	2,20	A
40HPSS	12,70	7,95	7,85	5,63	4,00	16,5	17,6	12,00	1,50	7,7/1750	0,55	A
50HPSS	15,87	10,16	9,40	7,03	5,13	20,7	21,9	15,09	2,03	14,0/3182	0,92	A
60HPSS	19,05	11,91	12,70	8,31	6,00	25,8	26,8	18,00	2,42	16,8/3818	1,31	A
80HPSS	25,40	15,88	15,75	11,40	8,05	32,5	33,8	24,00	3,25	35,0/7955	2,29	A
C2040HPSS	25,40	7,95	7,85	5,63	4,00	16,5	17,6	12,00	1,50	7,7/1750	0,47	B
C2050HPSS	31,75	10,16	9,40	7,22	5,12	20,5	21,8	15,00	2,03	14,3/3250	0,77	B
C2060HPSS	38,10	11,91	12,70	8,31	6,00	25,8	26,8	17,00	2,42	16,8/3818	1,03	B
C2080HPSS	50,80	15,88	15,75	11,40	8,05	32,5	33,8	24,00	3,25	35,0/7955	1,83	B

Stainless steel hollow pin double pitch conveyor chains

Simplex

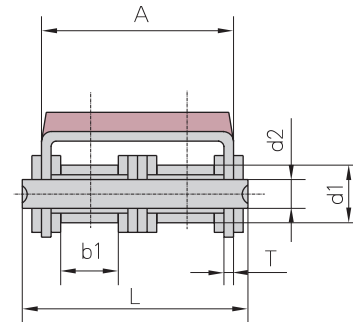
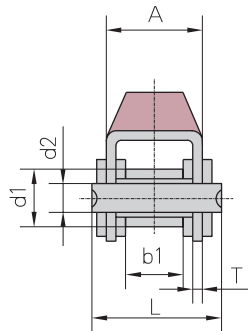
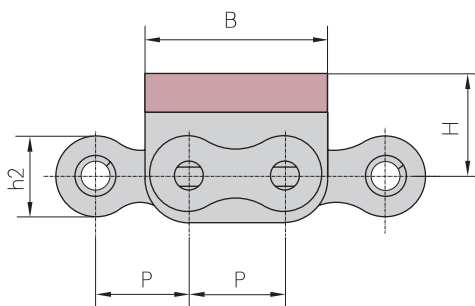



ANSI Ref. 	Pitch	Roller diameter	Width between inner plates	Pin diameter		Pin length		Inner plate height	Plate thickness	Ultimate tensile strength	Weight per meter	
	P	d1 max	b1 min	d2 max	d3 min	L max	Lc max	h2 max	t/T max	F _B min.	q	
	mm	mm	mm	mm	mm	mm	mm	mm	mm	kN/LB	kg/m	
C2042HPSS	25,40	15,88	7,85	5,63	4,00	16,50	17,60	12,00	1,50	7,7/1750	0,79	A
C2052HPSS	31,75	19,05	9,53	7,22	5,12	20,50	21,80	15,00	2,03	14,3/3250	1,27	A
C2062HPSS	38,10	22,23	12,70	8,31	6,00	25,80	26,80	17,00	2,42	16,8/3818	1,74	A
C2082HPSS	50,80	28,58	15,75	11,40	8,05	32,40	33,80	24,00	3,25	35,0/7955	2,86	A
C2042H-HPSS	25,40	15,88	7,85	5,63	4,00	18,80	19,90	12,00	2,03	7,7/1750	0,96	A
C2052H-HPSS	31,75	19,05	9,53	7,22	5,12	22,10	23,40	15,00	2,42	14,3/3250	1,46	A
C2062H-HPSS	38,10	22,23	12,70	8,31	6,00	29,20	30,20	17,00	3,25	16,8/3818	2,02	A
C2082H-HPSS	50,80	28,58	15,75	11,40	8,05	36,20	37,60	24,00	4,00	35,0/7955	3,30	A
*HB50.80SS	50,80	30,00	10,50	11,40	8,20	27,4	28,6	26,0	3,10	32,0/7275	2,15	B
A55SS	41,75	17,10	20,20	11,11	8,20	35,7	39,0	21,6	3,10	13,2/3000	1,50	C

*Also available in SS304/SS316/SS400 complete or SS304/SS316/SS400 with or without thermoplastic bushing and with or without PA6 roller.

Roller chains with vulcanised elastomer profiles

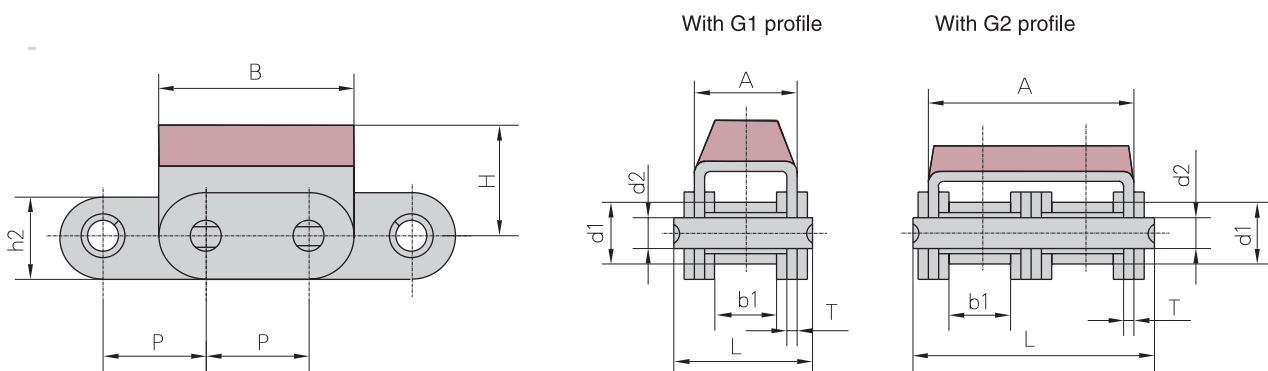
Simplex & Duplex




DIN Ref. 	Pitch	Roller diameter	Width between inner plates	Pin diameter	Pin length	Plate and attachment dimension					Ultimate tensile strength	Weight per meter
	P	d1 max	b1 min	d2 max	L max	h2 max	A	B	H	T	F _B min.	q
	mm	mm	mm	mm	mm	mm	mm	mm	mm	mm	kN/LB	kg/m
08B-G1	12,70	8,51	7,75	4,45	20,0	11,8	14,6	24,2	12,3	1,60	18,0/4091	1,19
08B-G2	12,70	8,51	7,75	4,45	34,3	11,8	28,4	24,2	12,3	1,50	32,0/7273	2,07
10B-G1	15,88	10,16	9,65	5,08	23,2	14,7	16,8	30,0	17,0	1,60	19,0/4318	1,62
10B-G2	15,88	10,16	9,65	5,08	39,7	14,7	33,3	30,0	17,0	1,50	44,5/10114	2,56
12B-G1	19,05	12,07	11,68	5,72	25,7	16,0	19,6	36,0	21,0	1,85	29,0/6591	2,01
12B-G2	19,05	12,07	11,68	5,72	45,3	16,0	39,1	36,0	16,0	1,85	57,8/13136	3,21
16A-G1	25,40	15,88	15,75	7,92	37,2	24,0	27,5	46,0	20,0	2,42	42,0/9545	3,97
16B-G1	25,40	15,88	17,02	8,28	39,7	21,0	29,1	49,0	21,4	1,60	58,0/13047	3,83
20B-G1	31,75	19,05	19,56	10,19	48,0	26,4	36,0	57,0	27,0	3,50	85,0/19318	6,19
24B-G1	38,10	25,40	25,40	14,63	61,6	33,2	47,0	72,6	34,0	4,50	160,0/36363	11,25

Roller chains with vulcanised elastomer profiles with straight side plates

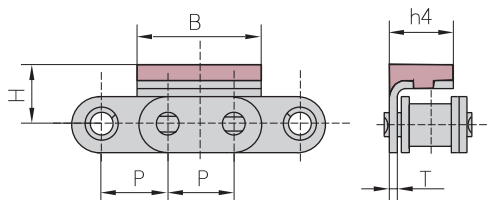
Simplex & Duplex



DIN Ref. 	Pitch	Roller diameter	Width between inner plates	Pin diameter	Pin length	Plate and attachment dimension					Ultimate tensile strength	Weight per meter
	P	d1 max	b1 min	d2 max	L max	h2 max	A	B	H	T	F_B min.	q
	mm	mm	mm	mm	mm	mm	mm	mm	mm	mm	kN/LB	kg/m
C08B-G1	12,70	8,51	7,75	4,45	20,0	11,8	14,6	24,2	12,3	1,60	18,0/4091	1,30
C08B-G2	12,70	8,51	7,75	4,45	34,3	11,8	28,4	24,2	12,3	1,50	32,0/7273	2,29
C10B-G1	15,88	10,16	9,65	5,08	23,2	14,7	16,8	30,0	17,0	1,60	19,0/4318	1,75
C10B-G2	15,88	10,16	9,65	5,08	39,7	14,7	33,3	30,0	17,0	1,50	44,5/10114	2,95
C12B-G1	19,05	12,07	11,68	5,72	25,7	16,0	19,6	36,0	21,0	1,85	29,0/6591	2,15
C12B-G2	19,05	12,07	11,68	5,72	45,3	16,0	39,1	36,0	16,0	1,85	57,8/13136	3,48
C16A-G1	25,40	15,88	15,75	7,92	37,2	24,0	27,5	46,0	20,0	2,42	42,0/9545	4,34
C16B-G1	25,40	15,88	17,02	8,28	39,7	21,0	29,1	49,0	21,4	1,60	58,0/13047	4,11
C20B-G1	31,75	19,05	19,56	10,19	48,0	26,4	36,0	57,0	27,0	3,50	85,0/19318	6,65
C24B-G1	38,10	25,40	25,40	14,63	61,6	33,2	47,0	72,6	34,0	4,50	160,0/36363	11,63

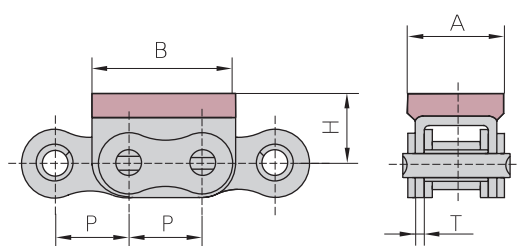
Roller chains with vulcanised elastomer profiles

Simplex & Duplex

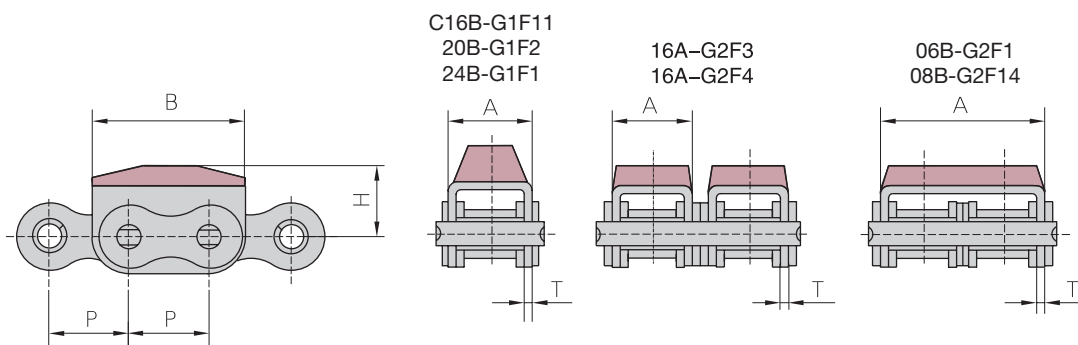
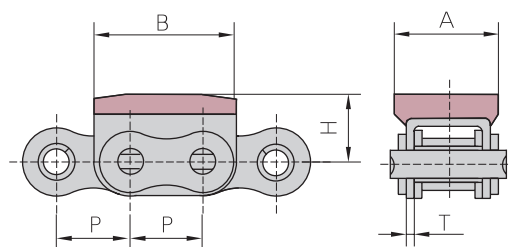


BTC DIN Ref.	P	B	H	h4	T
	mm	mm	mm	mm	mm
06BF9	9,525	17,73	9,0	9,05	1,3

BTC DIN Ref.	P	A	B	H	T
	mm	mm	mm	mm	mm
08B-G1F1	12,7	18,0	24,2	12,3	1,6



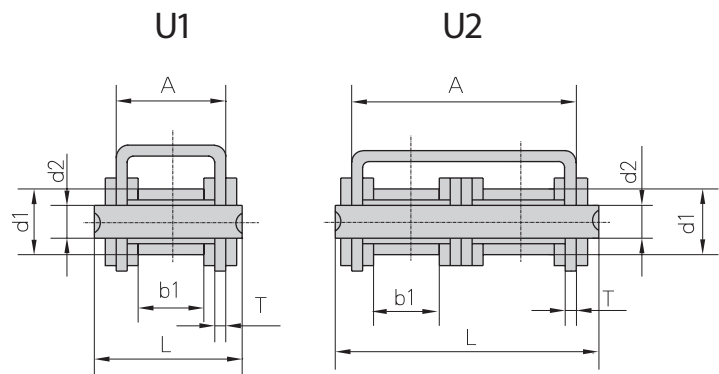
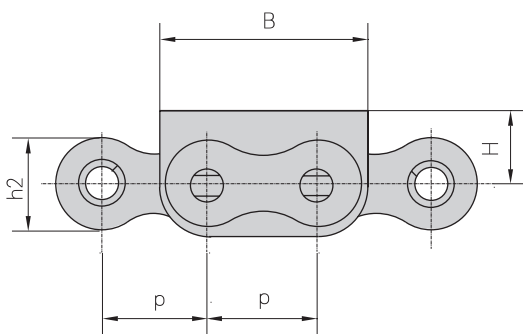
BTC DIN Ref.	P	A	B	H	T
	mm	mm	mm	mm	mm
08B-G1 F4	12,7	18,0	24,2	12,3	1,6



BTC DIN Ref.	P	A	B	H	T	Weight
	mm	mm	mm	mm	mm	kg/m
08B-G2F1	12,7	28,4	24,2	12,0	1,5	2,20
08B-G2F14	12,7	14,6	24,2	16,0	1,6	2,05
16A-G2F3	25,4	27,5	49,0	21,4	2,42	8,22
16A-G2F4	25,4	27,0	49,2	20,0	2,03	8,10
C16B-G1F11	25,4	29,5	49,0	21,4	1,6	4,25
20B-G1F2	31,75	36,0	57,0	35,0	3,5	6,05
24B-G1F1	38,1	47,0	72,6	34,0	4,5	11,00

Roller chains with U - type attachments

Simplex & Duplex

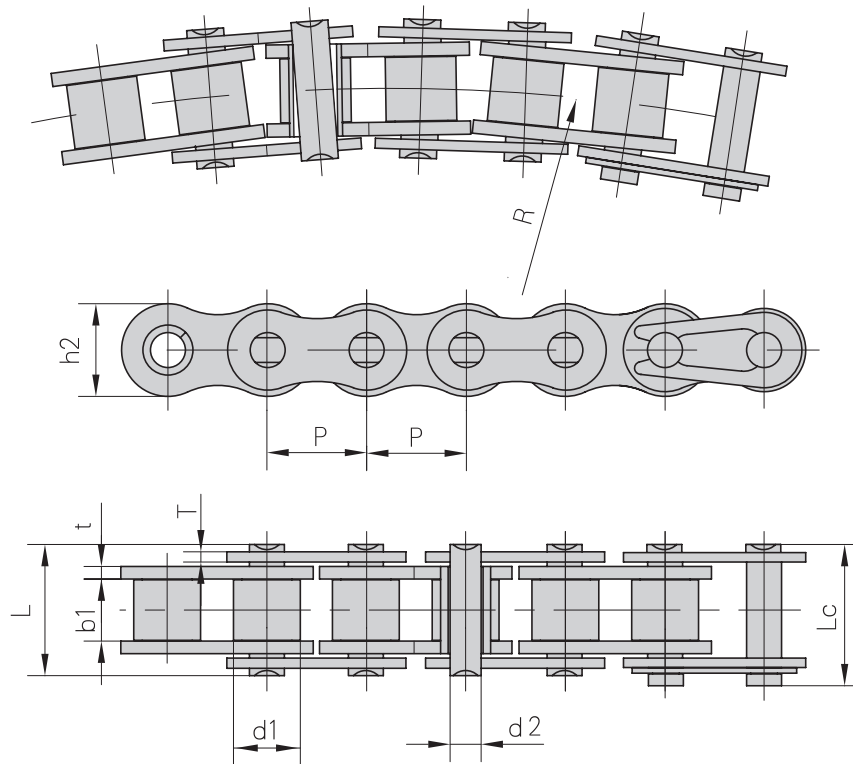


DIN Ref.	Pitch	Roller diameter	Width between inner plates	Pin diameter	Pin length	Plate and attachment dimension					Ultimate tensile strength	Weight per meter					
						<i>P</i>	<i>d1</i> max	<i>b1</i> min	<i>d2</i> max	<i>L</i> max			<i>h2</i> max	<i>A</i>	<i>B</i>	<i>H</i>	<i>T</i>
						mm	mm	mm	mm	mm			mm	mm	mm	mm	mm
08B-U1	12,70	8,51	7,75	4,45	20,0	11,8	14,6	24,2	8,3	1,60	18,0/4091	1,13					
08B-U2	12,70	8,51	7,75	4,45	34,3	11,8	28,4	24,2	8,3	1,50	32,0/7273	1,96					
10B-U1	15,88	10,16	9,65	5,08	23,2	14,7	16,8	30,0	11,3	1,60	19,0/4318	1,53					
10B-U2	15,88	10,16	9,65	5,08	39,7	14,7	33,3	30,0	11,3	1,50	44,5/10114	2,47					
12B-U1	19,05	12,07	11,68	5,72	25,7	16,0	19,6	36,0	13,0	1,85	29,0/6591	1,90					
12B-U2	19,05	12,07	11,68	5,72	45,3	16,0	39,1	36,0	12,0	1,85	57,8/13136	3,03					
16A-U1	25,40	15,88	15,75	7,92	37,2	24,0	27,5	46,0	16,0	2,42	42,0/9545	3,87					
16B-U1	25,40	15,88	17,02	8,28	39,7	21,0	29,1	49,0	15,4	1,60	58,0/13407	3,73					
20B-U1	31,75	19,05	19,56	10,19	48,0	26,4	36,0	57,0	21,0	3,50	85,0/19318	6,01					
24B-U1	38,10	25,40	25,40	14,63	61,6	33,2	47,0	72,6	28,0	4,50	160,0/36363	10,88					

Side bow chains

Simplex

ROLLER CHAINS

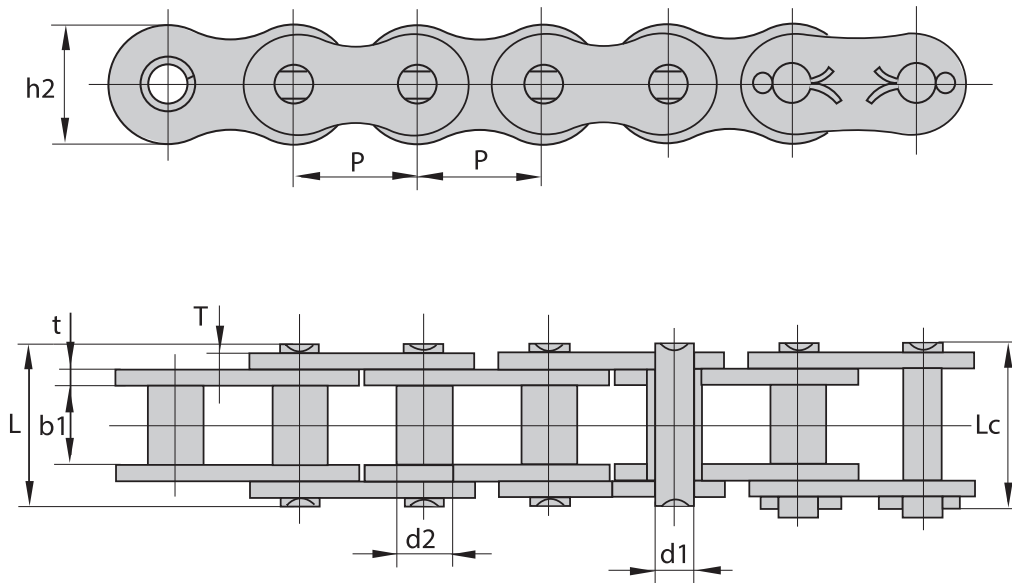



ANSI DIN Ref.	Pitch	Roller diameter	Width between inner plates	Pin diameter	Pin length		Inner plate height	Plate thick- ness	Side bow radius	Ultimate tensile strength	Average tensile strength	Weight per meter
	P	d1 max	b1 min	d2 max	L max	Lc max	h2 max	t/T max	R min	F _B min.	F _{BA}	q
	mm	mm	mm	mm	mm	mm	mm	mm	mm	kN/LB	kN	kg/m
40SB	12,70	7,95	7,85	3,96	16,9	18,1	11,7	1,5	350	13,8/3136	15,2	0,80
#43SB	12,70	7,95	7,85	3,45	18,3	19,5	11,7	1,5	200	12,0/2727	13,2	0,64
50SB	15,875	10,16	9,40	4,37	20,7	22,7	14,9	2,03	400	20,6/4681	22,7	1,09
60SB	19,05	11,91	12,57	5,34	26,6	28,4	18,0	2,42	500	15,7/3568	17,3	1,54
#63SB	19,05	11,91	12,68	5,08	28,8	30,6	17,2	2,42/2,03	430	12,5/2840	20,0	1,40
80SB	25,40	15,88	15,75	7,19	34,0	37,3	24,0	3,25	711	40,9/9201	42,0	2,60
06BSB	9,525	6,35	5,72	2,70	13,8	14,9	8,2	1,3	360	8,0/1818	8,8	0,60
08BSB	12,70	8,51	7,75	3,97	17,4	18,7	11,8	1,6	400	14,0/3182	15,4	0,70
08BSBF1	12,70	8,51	7,75	3,97	16,3	17,6	11,8	1,6/1,2	400	12,8/2909	14,1	0,65
10BSB	15,875	10,16	9,65	4,50	20,1	21,5	14,7	1,7	400	15,6/3545	17,2	0,93
12BSB	19,05	12,07	11,68	5,12	23,1	24,8	16,0	1,85	500	20,5/4658	22,6	1,16
C2050SB	31,75	10,16	9,40	5,08	21,3	22,6	15,0	2,03	800	21,8/4954	24,1	0,84

Chains with both sided extended pins inner links with straight side plates

Bushing chains - DIN 8164

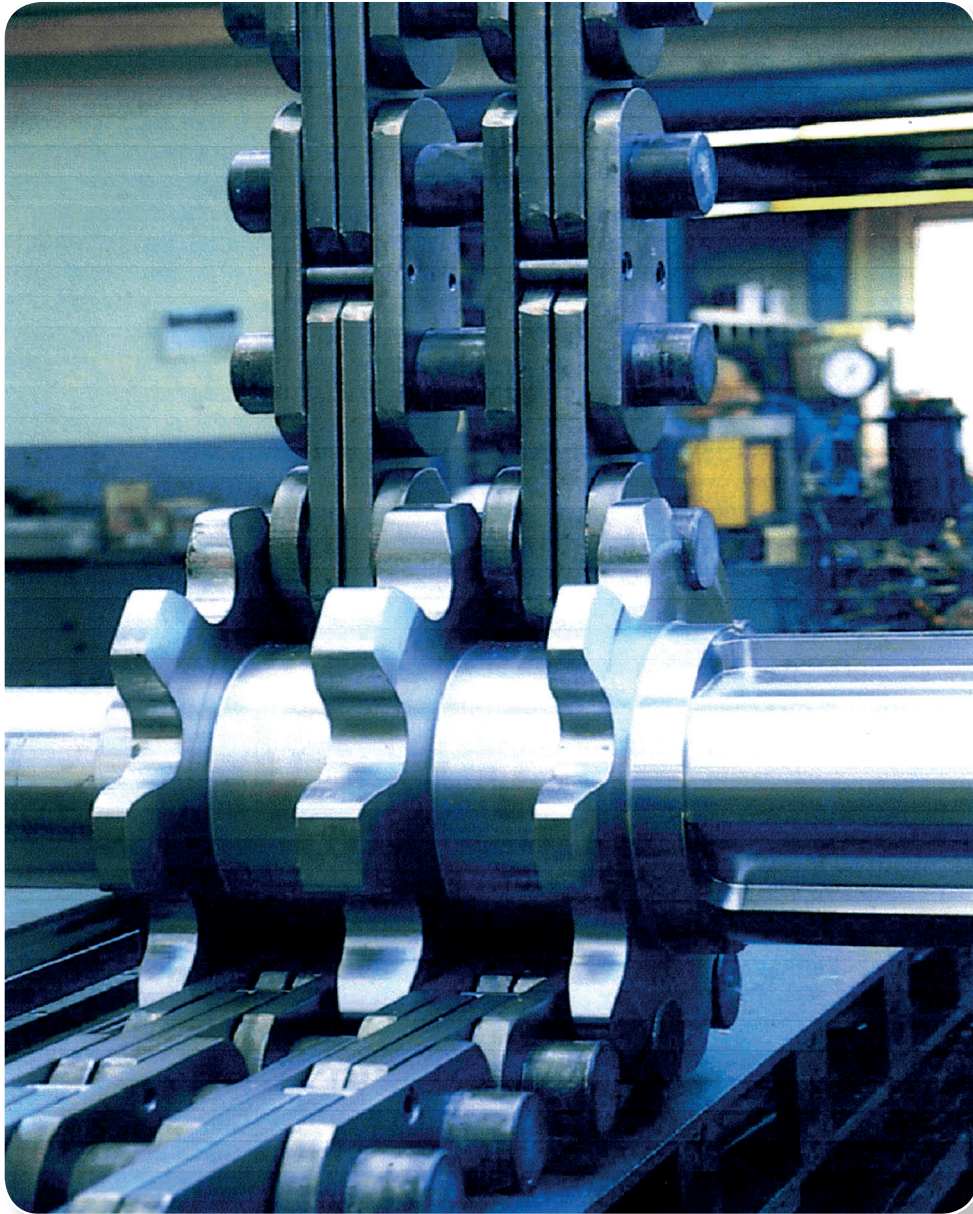
Simplex



Chain No. 	Pitch	Width between plates	Pin diameter	Bush diameter	Pin length		Inner plate height	Plate thickness	Ultimate tensile strength	Average tensile strength	Weight per meter
	P	b1 max	d1 max	d2 max	L max	Lc max	h2 max	T max	F _B min.	F _{BA}	q
	mm	mm	mm	mm	mm	mm	mm	mm	kN/LB	kN	kg/m
010020	20,00	16,0	8,0	12,0	33,0	36,0	19,0	3,00	25,0/5624	27,5	2,03
010025	25,00	18,0	10,0	15,0	35,0	39,0	24,0	3,00	31,5/7086	34,7	2,67
010030	30,00	20,0	11,0	17,0	42,4	46,0	28,0	4,00	40,0/8998	44,0	3,75
010035	35,00	22,0	12,0	18,0	44,5	48,0	30,0	4,00	50,0/11248	55,0	4,33
010040	40,00	25,0	14,0	20,0	52,4	57,0	35,0	5,00	63,0/14172	69,3	5,43
010045	45,00	30,0	16,0	22,0	62,0	66,5	40,0	6,00	80,0/17996	88,0	7,54
010050	50,00	35,0	18,0	26,0	68,0	73,5	44,0	6,00	100,0/22495	110,0	8,90
010055	55,00	45,0	20,0	30,0	88,0	93,5	49,0	8,00	125,0/28119	137,5	13,92
010060	60,00	50,0	22,0	32,0	94,1	99,5	55,0	8,00	160,0/35993	176,0	15,20

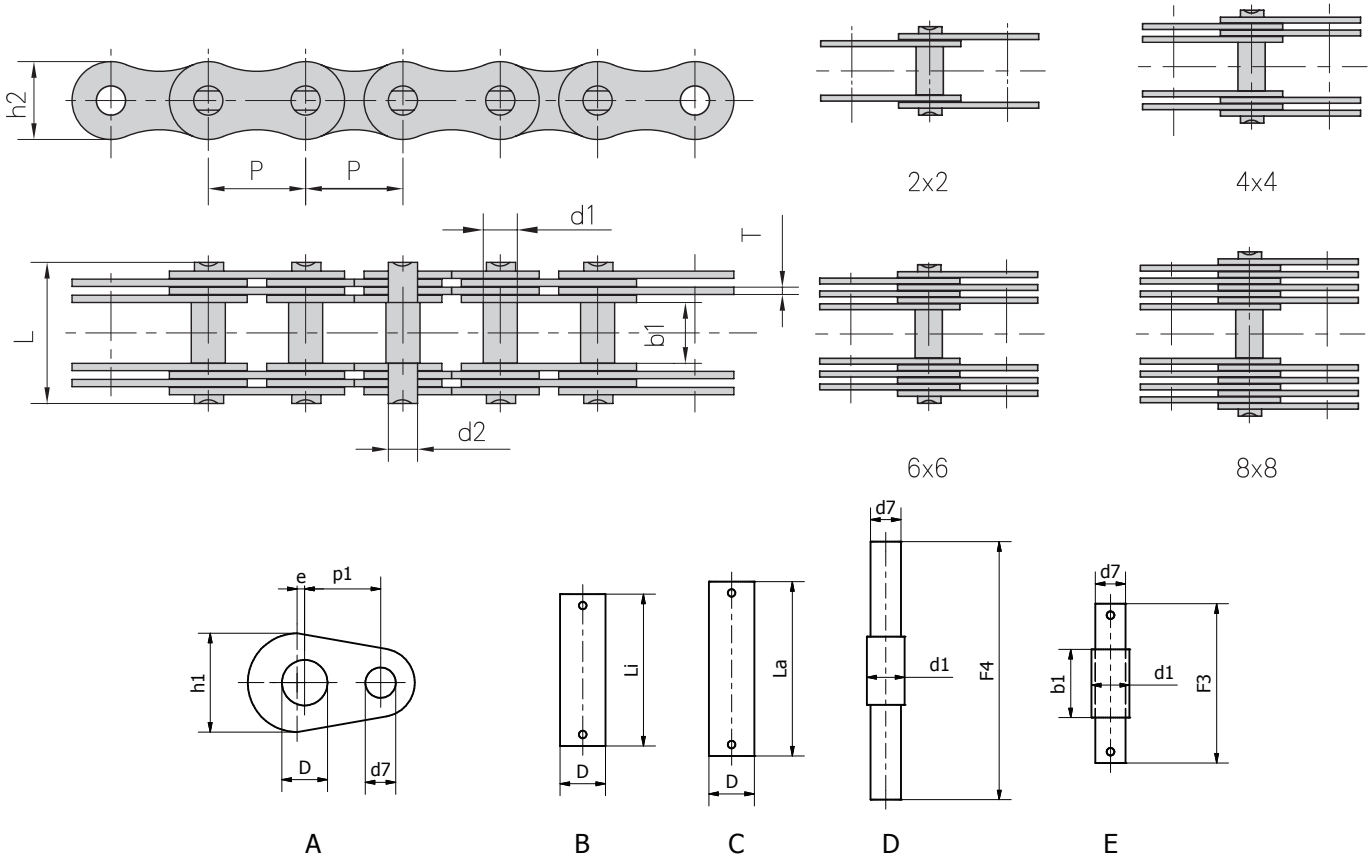


Lock chain



Triplex gall chains pitch 180mm, 80mm shaft, 140 x 25mm side-plates.
3840kN breaking-load. Sprockets triplex 3 x 8 teeth.

Gall chains - DIN 8150 / 8151

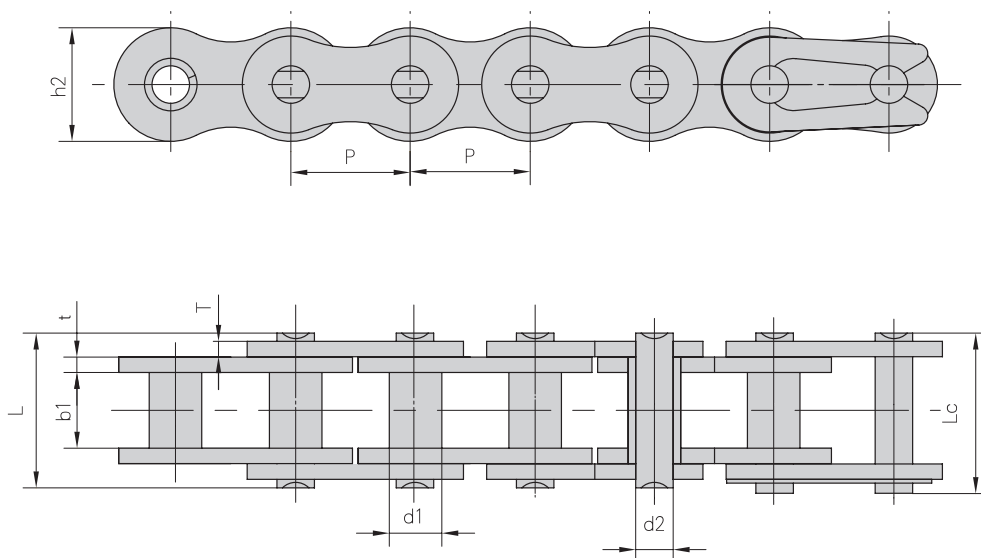


Chain No.	p mm	p_1 mm	b_1 mm min.	d_1 mm max.	d_2 mm	d_7 mm	D mm max.	e mm	L mm max.	L_1 mm max.	L_2 mm max.	L_i mm max.	L_a mm max.	h_2 mm	h_1 mm	T mm max.	F_b min.	q kg/m
G15	15	20	12	5	4	4	9	2	25	-	27	29	33	12	18	2,03	5,0/1125	0,7
G20	20	25	15	8	6	6	10	2	28	-	33	32	36	15	20	2,03	12,5/2818	1,1
G25	25	30	18	10	8	8	12	2,5	36	68	42	40	46	18	26	3	25,0/5624	1,8
G30	30	40	20	11	9	9	14	3	51	88	58	54	60	20	30	3	40,0/8999	3,4
G35	35	45	22	12	10	10	16	3,5	53	93	61	55	62	26	35	3	60,0/13498	4,5
G40	40	50	25	14	12	12	18	4	58	102	66	63	70	32	40	3	80,0/17998	5,0
G45	45	55	30	17	14	14	22	4,5	63	108	70	68	75	35	45	3	100,0/22497	7,0
G50	50	60	35	22	18	18	26	5	90	141	97	98	108	40	50	4,5	150,0/33746	11,3
G55	55	65	40	24	21	21	32	5,5	108	163	115	118	132	42	55	6,0	200,0/44994	14,5
G60	60	70	45	26	23	23	36	6	114	171	120	125	139	46	60	6,0	250,0/56243	17,1
G70	70	85	50	28	28	28	40	7	148	213	457	156	169	55	70	6,0	375,0/84364	34,0
G80	80	100	60	32	32	32	50	8,5	159	233	171	176	189	60	85	6,0	500,0/112486	39,0
G90	90	120	70	40	36	36	60	10	184	266	200	199	214	70	100	7,0	750,0/168728	53,0
G100	100	140	80	45	40	40	70	12	224	309	234	239	256	80	120	7,0	1000,0/224972	77,0
G110	110	160	90	50	45	45	80	14	236	327	251	264	279	90	140	7,0	1250,0/281215	90,0
G120	120	180	100	55	50	50	90	16	262	357	277	287	306	100	160	8,0	1500,0/337458	112,0

Hoisting rollerless chains - DIN 8188

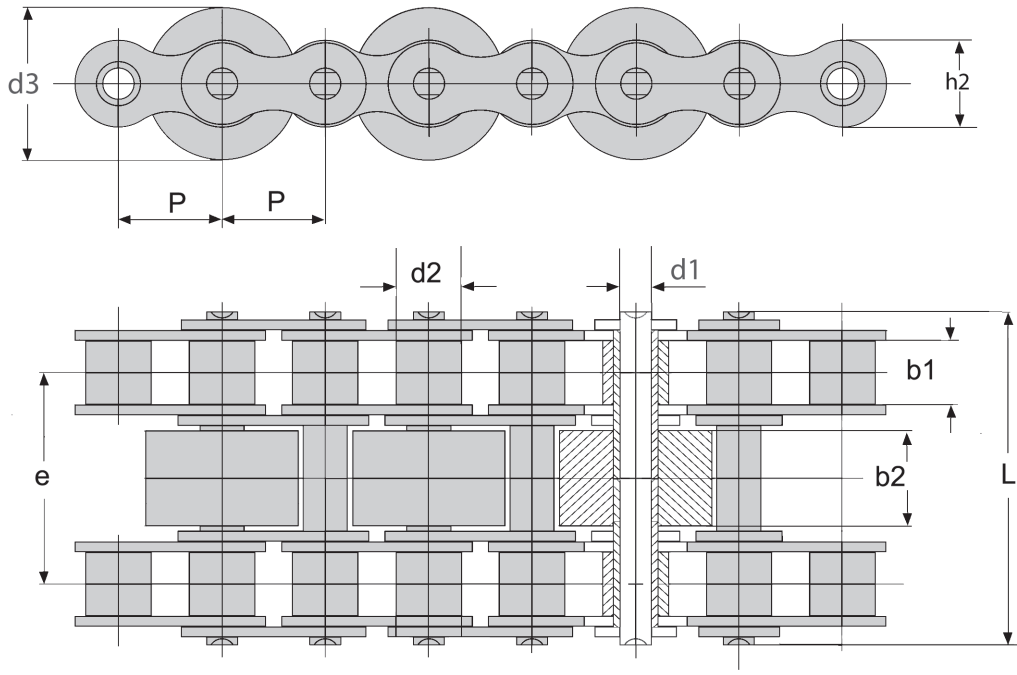
ANSI - American standard


Simplex



ANSI Ref.	Pitch	Bush diameter	Width between inner plates	Pin diameter	Pin length		Inner plate height	Plate thickness	Ultimate tensile strength	Average tensile strength	Weight per meter
	P	d1 max	b1 min	d2 max	L max	Lc max	h2 max	T max	FB min.	FBA	q
	mm	mm	mm	mm	mm	mm	mm	mm	kN/LB	kN	kg/m
45-1	12,700	5,63	7,85	3,96	16,6	17,8	12,00	1,50	14,10/3205	17,5	0,54
55-1	15,875	7,03	9,40	5,08	20,7	22,2	15,09	2,03	22,20/5045	29,4	0,83
65-1	19,050	8,33	12,57	5,94	25,9	27,7	18,00	2,42	31,80/7227	41,5	1,22
85-1	25,400	11,10	15,75	7,92	32,7	35,0	24,00	3,25	56,70/12886	69,4	2,16
105-1	31,750	13,60	18,90	9,53	40,4	44,7	30,00	4,00	88,50/20114	109,2	3,31
125-1	38,100	15,60	25,22	11,10	50,3	54,3	35,70	4,80	127,00/28864	156,3	4,97
145-1	44,450	18,00	25,22	12,70	54,4	59,0	41,00	5,60	172,40/39182	212,0	6,50
165-1	50,800	20,00	31,55	14,27	64,8	69,6	47,80	6,40	226,80/51545	278,9	8,70

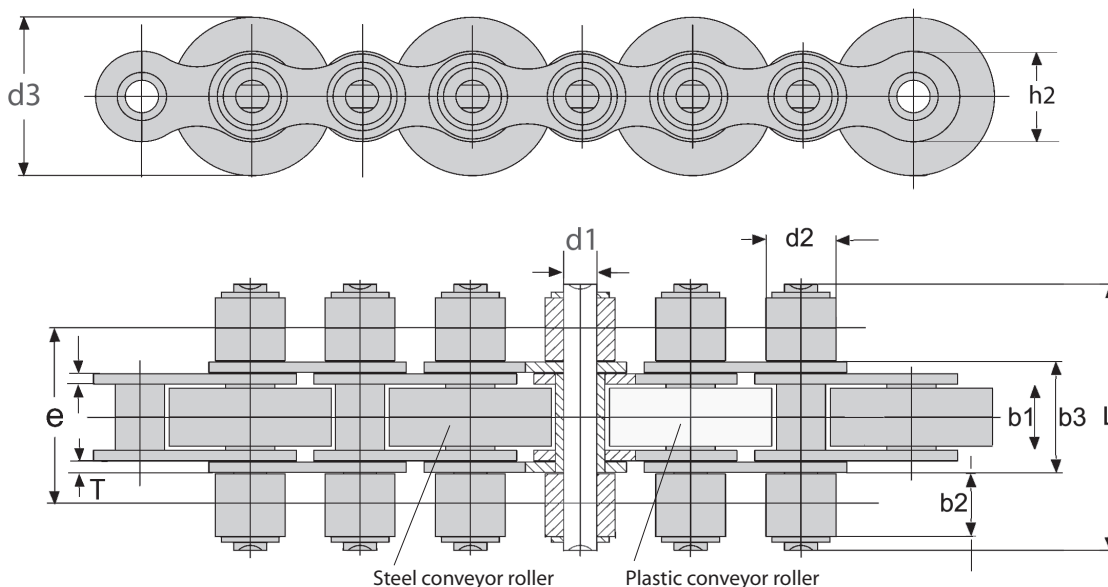
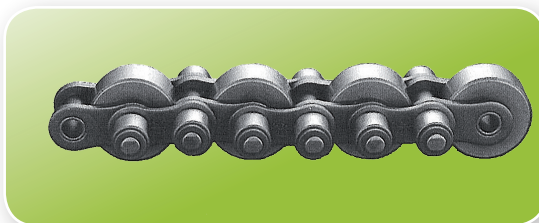
Accumulation roller chains




Chain No. 	Pitch	Roller diameter		Pin diameter	Transverse	Pin length	Accumulation roller width	Width between plates	Inner plate height	max. perm. depth	max. chain load	Weight per meter
	p	d_3	d_2	d_1	e	L_{max}	b_2	b_1	h_2	F_g	F_2	q
	mm	mm	mm	mm	mm	mm	mm	mm	mm	N	N	kg/m
08B-3-45-P17	12,7	17,0	8,51	4,45	27,8	48,5	12,4	7,75	11,8	20	3800	2,55
08B-3-45-C17	12,7	17,0	8,51	4,45	27,8	48,5	124	7,75	11,8	50	3800	3,6
10B-3-52-P23	15,875	23,0	10,15	5,08	32,0	56,9	14,9	9,65	14,9	30	5050	3,4
10B-3-52-C23	15,875	23,0	10,15	5,08	32,0	56,9	14,9	9,65	14,9	80	5050	5,0
12B-3-62-P28	19,05	28,0	12,07	5,72	38,9	66,5	18,6	11,68	16,0	90	6700	4,7
12B-3-62-C28	19,05	28,0	12,07	5,72	38,9	66,5	18,6	11,68	16,0	140	6700	6,0
16B-100-P35	25,4	35,0	15,88	8,28	63,8	105,3	29,8	17,02	21,0	220	15775	10,3
16B-100-C35	25,4	35,0	15,88	8,28	63,8	105,3	29,8	17,02	21,0	280	15775	12,0

Note: P= plastic conveyor roller, C= steel conveyor roller
 The load per m applies for 10m conveyor length per double chain strand.
 Temperature range : -30 to 100°C for steel conveyor rollers
 -10 to 60°C for plastic conveyor rollers

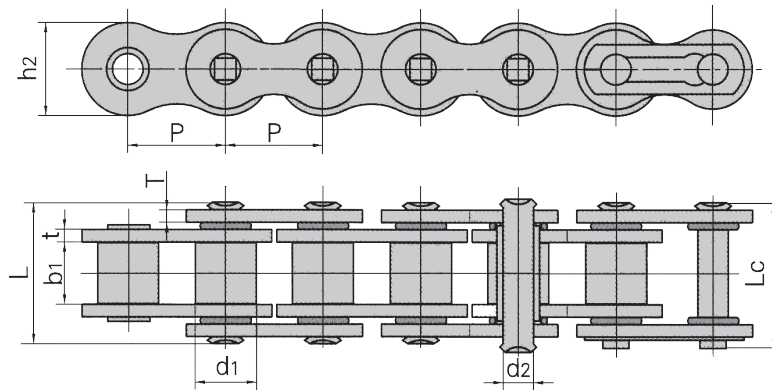
Accumulation roller chains



Chain Nr. 	Pitch	Roller diameter		Width between plates		Pin diameter	Traverse	Plate dimension		Ultimate tensile strength	Average tensile strength	Weight per meter	
	P	d3 max	d2 max	b1 min	d1 max	e	L max	h2 max	t/T max	F _B min.	F _{BA}	q _P	q _C
	mm	mm	mm	mm	mm	mm	mm	mm	mm	kN/LB	kN	kg/m	kg/m
08BS-27-P16/C16	12,70	16,00	8,51	7,75	4,45	19,1	27,0	11,8	1,60/1,50	18,0/4091	19,8	0,9	1,1
12BS-40-P28/C28	19,05	28,00	12,07	11,68	5,72	27,0	40,0	16,0	1,85	29,0/6591	31,7	1,9	3,0
12BS-43-P26/C26	19,05	26,00	12,07	11,68	5,72	29,2	43,0	16,0	1,85	29,0/6591	31,7	2,0	3,2
12BS-43-P28/C28	19,05	28,00	12,07	11,68	5,72	29,2	43,0	16,0	1,85	29,0/6591	31,7	2,1	3,3
12BS-48-P24/C24	19,05	24,00	12,07	11,68	5,72	31,5	48,0	16,0	1,85	29,0/6591	31,7	2,3	3,4
12BS-48-P26/C26	19,05	26,00	12,07	11,68	5,72	31,5	48,0	16,0	1,85	29,0/6591	31,7	2,5	3,8
12BS-48-P28/C28	19,05	28,00	12,07	11,68	5,72	31,5	48,0	16,0	1,85	29,0/6591	31,7	2,8	4,2
16BS-65-P38/C38	25,40	15,88	38,00	17,02	8,28	45,0	65,0	21,0	4,15/3,10	60,0/13636	72,8	4,8	6,4

Note : P = plastic roller, C = steel roller.

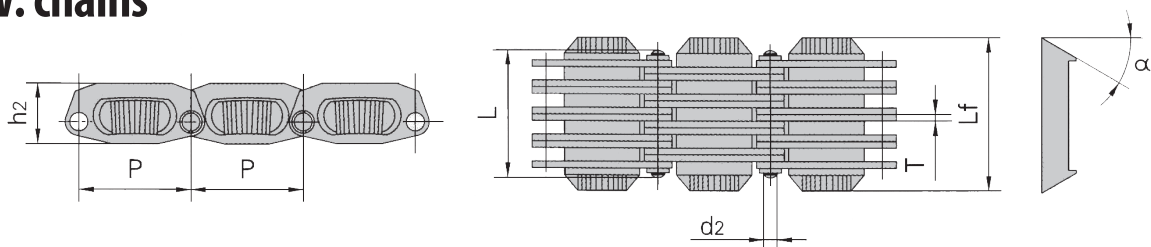
O-Ring chains



Chain No.	Pitch	Roller diameter	Width between plates	Pin diameter	Pin length		Plate height	Plate thickness	Ultimate tensile strength	Average tensile strength	Weight per meter
	P	d1 max	b1 max	d2 max	L max	Lc max	h2 max	t/T max	Q min	Qo min	q
	mm	mm	mm	mm	mm	mm	mm	mm	kN/LB	kN	kg/m
08B OR	12,700	8,51	7,75	4,45	18,8	19,9	11,80	1,60	18,0/4091	19,40	0,74
10B OR	15,875	10,16	9,65	5,08	21,4	22,2	11,70	1,60	20,7/4704	24,70	0,95
12B OR	19,050	12,07	11,68	5,72	25,4	26,4	16,10	1,80	30,4/6910	39,50	1,25
16B OR	25,400	15,88	17,02	8,28	39,3	40,4	20,80	3,2/4,0	60,0/13635	70,80	3,61

40 OR	12,700	7,95	7,85	3,96	18,3	19,6	12,00	1,50	14,1/3205	17,50	0,67
50 OR	15,875	10,16	9,40	5,08	23,1	24,8	15,09	2,03	22,2/5045	29,40	1,19
60 OR	19,050	11,91	12,57	5,94	28,5	30,4	18,00	2,42	31,8/7227	41,50	1,62
60H OR	19,050	11,91	12,57	5,94	31,7	33,2	18,00	3,25	55,0/12500	58,00	1,96
80 OR	25,400	15,88	15,75	7,92	35,6	37,3	24,00	3,25	56,7/12886	69,40	2,70
100 OR	31,750	19,05	18,95	9,53	43,3	47,0	30,00	4,00	88,5/20114	109,20	3,91
120 OR	38,100	22,23	25,22	11,11	54,0	57,5	35,70	4,80	127,0/28864	156,30	6,34

P.I.V. chains

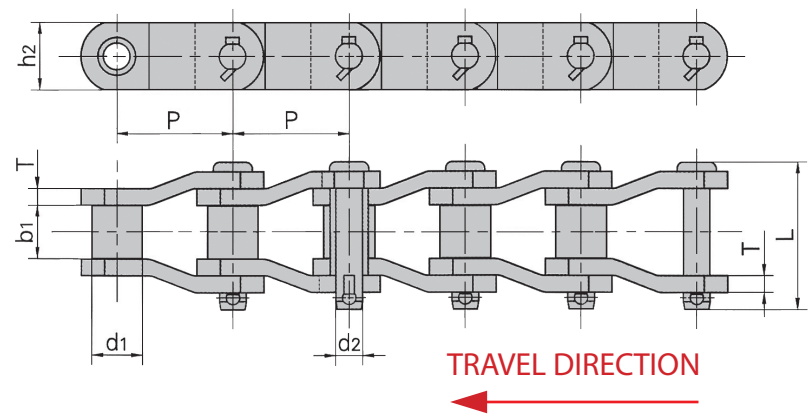
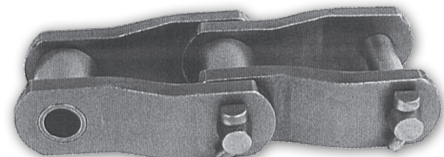



Chain No.	Pitch	Pin diameter	Pin length	Plate height	Plate thickness	Width over friction plate	Angle of friction plate	Ultimate tensile strength	Average tensile strength	Weight per meter
	P mm	d2 max mm	L max mm	h2 max mm	T max mm	Lf mm	α	Q' kN/LB	Qo kN	q kg/m
AO	18.75	3.00	19.5	9.5	1.0	24.0	15°	9.0/2045	9.9	1.00
A1(A2)	25.0	3.00	30.1	13.5	1.5	37.8	15°	21.0/4772	23.3	2.23
A3	28.6	3.00	35.3	16.0	1.5	44.2	15°	38.5/8750	42.7	3.04
A4	36.0	4.00	48.5	20.5	1.5	58.5	15°	61.5/13977	68.2	5.54
A5	36.0	4.00	60.5	20.5	1.5	70.0	15°	71.0/16136	78.8	6.70



Heavy duty cranked-link transmission chains

Rotary




Chain No. 	Pitch	Roller diameter	Width between inner plates	Pin diameter	Pin length	Plate height	Plate thickness	Ultimate tensile strength	Average tensile strength	Weight per meter
	P mm	d1 max mm	b1 min mm	d2 max mm	L max mm	h2 mm	T mm	F _B min. kN/LB	F _{BA} kN	q kg/m
* RO 20H - ROA3160SC	50.80	28.58	31.75	15.06	79.4	41.5	8.0	230.0/52256	250.0	10.90
2010	63.50	31.75	38.10	15.90	89.0	47.8	7.9	250.0/56818	270.0	13.53
MXS882	66.27	22.23	28.58	11.10	68.5	58.5	6.4	115.6/26272	124.8	5.30
SS588	66.27	22.23	28.60	11.11	63.7	28.6	6.4	130.0/29545	144.0	5.46
AX1568	77.90	41.40	39.60	19.05	100.0	57.0	9.7	340.0/77272	367.2	18.40
RO 3B - ROA2512	77.90	41.40	38.50	19.05	103.4	60.0	10.0	482.0/110000	420.0	20.28
RO 3 - ROA1035	78.10	31.75	38.10	16.00	94.8	40.0	8.0	271.0/61590	292.6	10.72
RO 3C	78.10	31.75	38.10	16.50	95.3	45.0	9.5	280.4/63727	302.8	12.70
RO 3H - MXS3075	78.10	31.75	38.10	16.46	93.5	44.5	9.7	334.0/75909	360.7	13.45
1037 - ROA40HYP	78.10	31.75	38.10	15.88	97.0	41.5	9.5	250.0/56818	280.0	12.60
RO 3 1/2 - ROA2814	88.90	44.45	38.10	22.23	117.6	58.0	12.7	471.0/105955	507.6	25.70
ROA1664A	101.60	57.15	55.63	30.23	140.2	82.5	14.2	667.0/147000	715.2	43.80
RO 4 - ROA1244	103.20	44.45	48.00	22.00	123.5	55.0	13.0	476.0/108180	514.0	23.60
RO 4H - ROA1244H	103.20	44.45	49.20	23.90	129.0	60.0	14.0	666.4/151450	700.0	26.70
RO 4B - ROA3315	103.45	45.24	49.30	23.85	130.0	63.5	14.2	550.0/125000	594.0	27.71
RO 4BX - ROA3315F6	103.45	45.24	49.30	23.85	130.0	63.5	14.2	550.0/131800	615.0	27.90
RO 4 1/2 - ROA3618	114.30	57.15	52.30	27.97	138.0	79.2	14.2	760.0/172727	820.8	41.20
RO 4 1/2 H - SS635HF1	114.30	57.20	52.40	27.94	137.0	76.2	17.5	964.0/219085	1060.0	37.90
RO 5B - ROA4020	127.00	63.50	69.90	31.78	165.7	88.9	15.7	987.0/224300	1069.2	48.60
RO 5BH - ROA5035	127.00	63.50	65.00	34.90	168.0	88.9	19.0	1250.0/284065	1220.0	53.45
RO 6 - ROA4824	152.40	76.20	76.20	38.10	182.3	102.0	19.0	1645.0/373860	1755.0	67.10
RO 6 1/2 - ROA6555	165.10	88.90	81.00	44.45	202.45	127.0	22.35	1650.5/375000	1765.0	116.20
RO 7 - ROA5628	177.80	88.90	81.00	44.45	202.45	127.0	22.35	1694.5/385000	1810.0	98.40

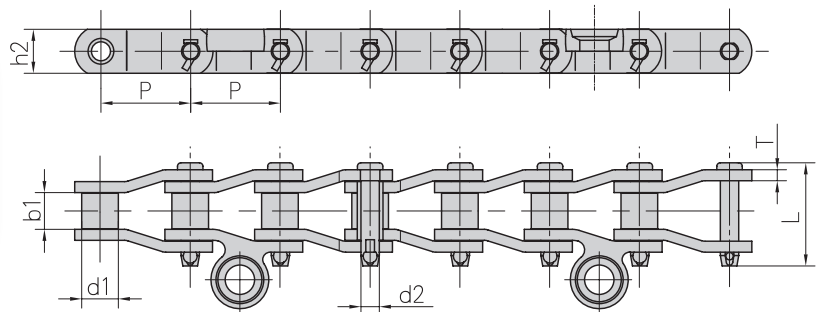
* Also available in dacromet version with chromed pins.




Heavy duty cranked-link transmission chains

Rotary

Chain No. 	Pitch	Roller diameter	Width between inner plates	Pin diameter	Pin length	Plate height	Plate thickness	Ultimate tensile strength	Average tensile strength	Weight per meter
	P mm	d1 max mm	b1 min mm	d2 max mm	L max mm	h2 mm	T mm	F _B min. kN/LB	F _{BA} kN	q kg/m
2010H	63.50	12.00	31.75	15.88	97.0	41.5	9.5	250/56815	275.0	11.91
SS2065	50.80	28.58	32.50	15.05	79.5	38.0	7.9	220/49998	242.0	12.14
4020SH	127.00	63.50	69.90	31.78	165.7	88.9	15.7	1332.8/302893	1246.0	48.60
2814F1	88.90	44.45	36.90	22.23	117.6	60.0	13.5	556/126358	611.0	24.20
2814F2	88.90	44.45	38.60	22.23	119.6	58.0	12.7	559/127040	614.9	25.40
SH1245	103.45	45.30	49.60	23.80	130.0	60.0	14.5	722/164084	794.0	31.00
P153	153.619	34.93	53.98	17.48	107.0	44.5	9.5	150/34090	165.0	10.90
P153F2	153.619	34.93	53.98	17.48	100.0	44.5	8.0	150/34090	165.0	9.80
2510F1	78.10	31.75	36.60	16.00	88.9	38.1	8.0	124.5/28295	137.0	9.93
RO6042F1	152.40	76.20	76.30	44.00	184.0	120.0	19.0	1500/340900	1600.0	63.60
SS568HF1205	77.90	31.75	39.70	19.05	98.5	57.0	9.5	447/101588	491.0	16.90
RO1205	127.00	63.50	65.00	31.75	147.6	82.5	14.2	872/198177	955.0	42.93
2510F2	78.10	31.75	36.60	15.75	88.0	38.1	8.0	225/51135	248.0	11.70
MX603	76.20	*22.50	38.00	14.00	88.0	40.0	8.0	147/33408	161.0	9.20
R3112	50.80	28.70	31.00	14.20	73.9	41.4	6.4	168.9/38385	185.0	10.70
MXS3075F1	78.10	33.00	38.10	16.46	94.5	44.5	9.7	334/75907	365.8	14.00
MXS3075F2	78.100	31.75	38.10	17.81	90.0	45.0	8.0	333.2/75726	365.8	12.20



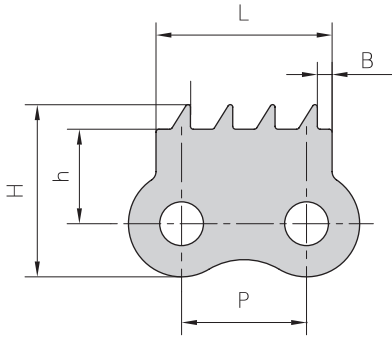
Chain No. 	Pitch	Roller diameter	Width between inner plates	Pin diameter	Pin length	Plate height	Plate thickness	Ultimate tensile strength	Average tensile strength
	p	d1 max	b1 min	d2 max	L max	h2	T	F _B min.	F _{BA}
	mm	mm	mm	mm	mm	mm	mm	kN/LB	kN
SS40SL	78.105	31.78	31.75	15.90	89.15	38.0	9.5	250.0/56818	266.88

ROLLER CHAINS



Sharp top chains - DIN 8187 / 8188 ISO 606 - European / ANSI - American standard

ROLLER CHAINS



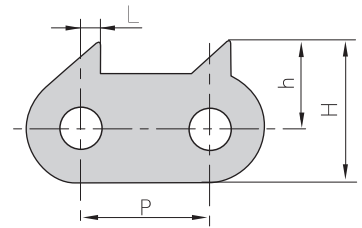
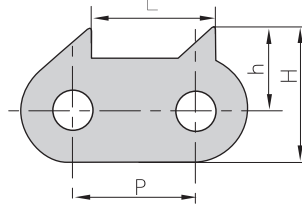
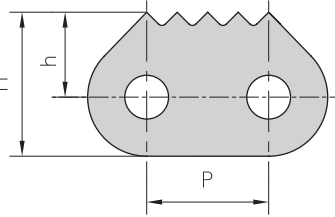
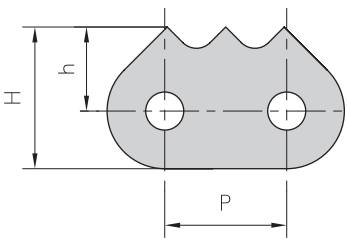
Chain No.	P	h	H	B	L
	mm	mm	mm	mm	mm
O8B-940	12,7	9,6	17,5	1,5	17,9

C16AF1

C12B-1324 C16AF2

C12B-9010 C12B-940
C60B-1-940

C16B-1160 C16B-1161



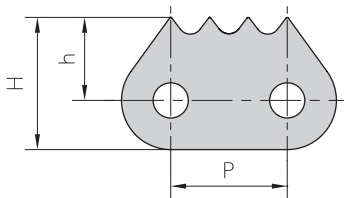
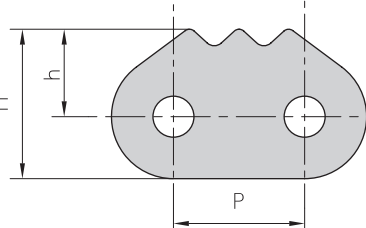
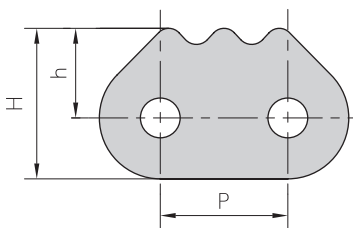
Chain No.	P	h	H
	mm	mm	mm
C12B-1324	19,05	13,0	22,0
C16AF1	25,4	17,5	19,5
C16AF2	25,4	17,5	29,5

Donghua Chain No. Donghua Ketten Nr.	P	h	H	L
	mm	mm	mm	mm
C12B-9010	19,05	13,0	21,0	19,05
C12B-940	19,05	13,2	22,3	19,75
C60B-1-940	19,05	12,5	21,6	19,05
C16B-1160	25,4	10,5	27,5	4,8
C16B-1161	25,4	10,5	27,5	6,0

C60F2

C12B-910 C60-910

C12B-1170 (12BF3) C16A-1170

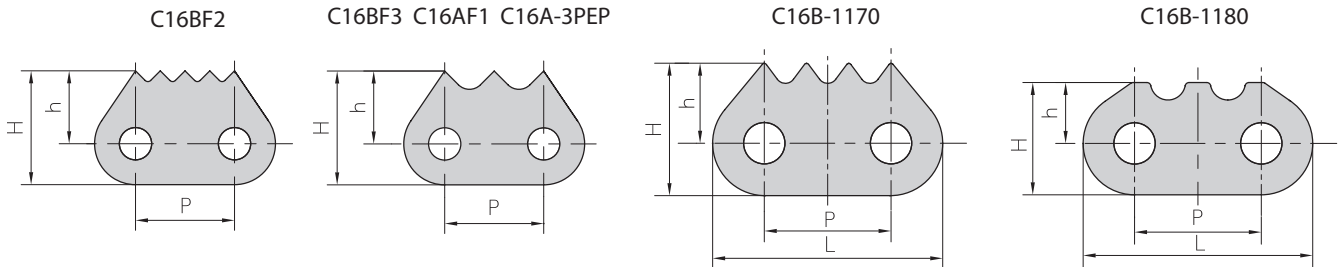


C60-910

Chain No.	P	h	H
	mm	mm	mm
C60F2	19,05	13,38	22,48
C12B-910	19,05	13,70	21,70
C60-910	19,05	12,70	21,70
C12B-1170	19,05	13,50	21,50
C16A-1170	25,40	16,50	28,00

Sharp top chains - DIN 8187 / 8188

ISO 606 - European / ANSI - American standard

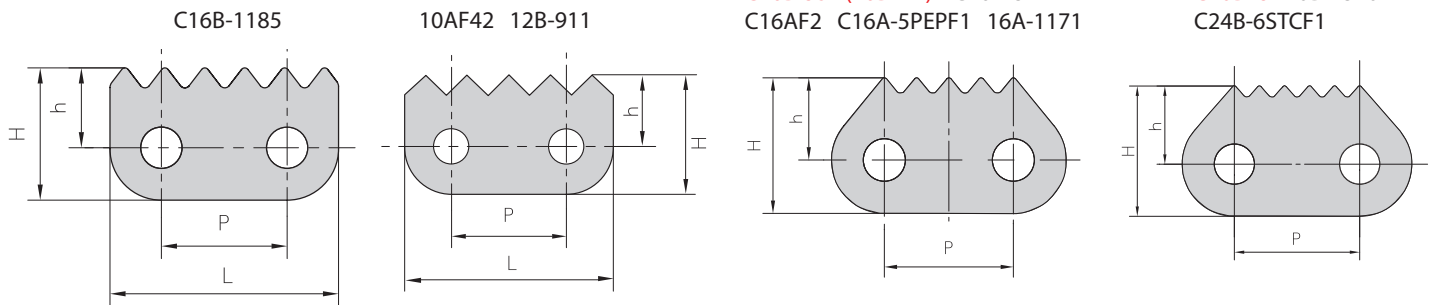


C16B-1170



C16B-1180

Chain No.	P	L	h	H
	mm	mm	mm	mm
C16BF2	25,4		18,7	29,2
C16BF3	25,4		18,7	29,2
C16AF1	25,4		17,5	29,5
C16A-3PEP	25,4		17,4	29,0
C16B-1170	25,4	46,1	16,0	26,5
C16B-1180	25,4	46,0	12,2	22,5

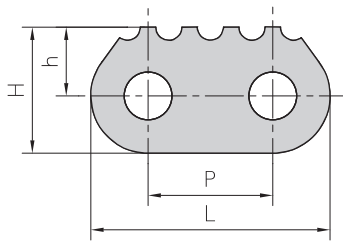
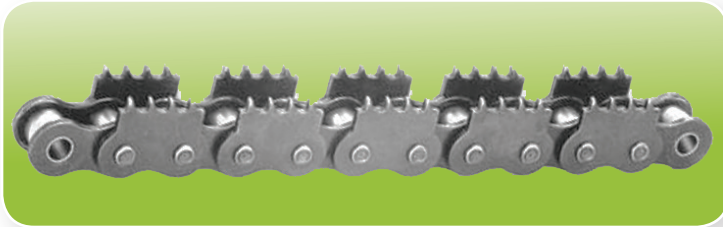


C16B-1185

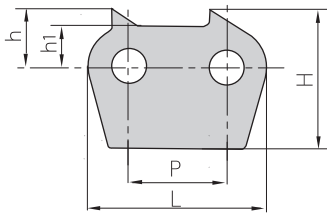
Chain No.	P	L	h	H
	mm	mm	mm	mm
10AF42	15,875	30,9	11,5	19,0
12B-911	19,050	35,0	11,9	20,0
C16B-5ST (16BF24)	25,4	46,0	16,0	26,5
C16B-1185	25,4	46,0	16,0	26,5
C16AF2	25,4		17,5	29,5
C16A-5PEP	25,4		17,4	29,0
C16A-5PEPF1	25,4		17,3	29,5
16A-1171	25,4		16,0	26,4
C20BF8	31,75		19,8	33,0
20B-1310	31,75		19,8	33,0
C24B-6STCF1	38,1		23,5	40,0



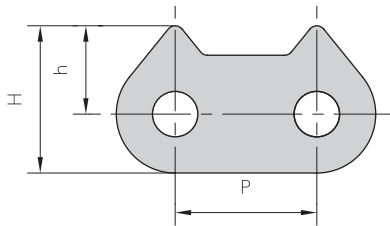
Sharp top chains - DIN 8187 / 8188 ISO 606 - European / ANSI - American standard



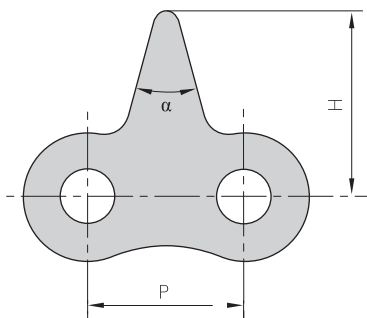
Chain No.	P	L	h	H
	mm	mm	mm	mm
C24B-1809	38,1	73,1	21,0	38,5
C24B-1810	38,1		19,0	35,5
120F6	38,1		21,0	38,5



Chain No.	P	L	h1	h	H
	mm	mm	mm	mm	mm
32B-1872	50,8	92,8	21,0	30,0	73,0
32B-1900F1	50,8	92,8	21,0	30,0	75,0
32BF15	50,8	91,8	20,0	45,0	75,0
C32B-1874F1	50,8	92,8	21,0	40,0	83,0



Chain No.	P	h	H
	mm	mm	mm
C20B-1350	31,75	19,8	33,0

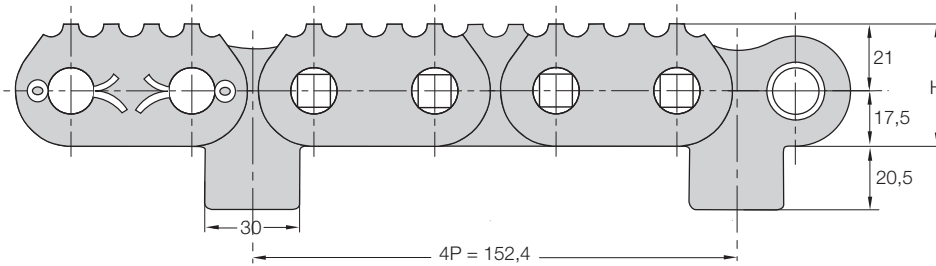


Chain No.	P	h	α
	mm	mm	mm
06BF39	9,525	11,00	30°
08AF10	12,700	15,60	30°
08BF30	12,700	14,50	30°
08BF38	12,700	14,60	40°
08BF5	12,700	15,30	30°
08BF51	12,700	14,00	50°
08BF56	12,700	14,40	30°
08BF86	12,700	15,00	50°
08BSSF11	12,700	14,60	40°
10AF7	15,875	15,88	21°
10BF40	15,875	17,40	25°
12B-1STCF1	19,050	19,00	30°
16AF44	25,400	31,80	50°
20A-1STCF1	31,750	53,00	82,1°

Sharp top chains - DIN 8187 / 8188

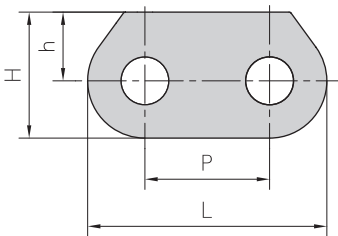
ISO 606 - European / ANSI - American standard

C24B-1809-1

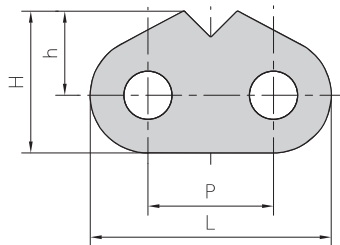


Chain No.	P	L	h	H
	mm	mm	mm	mm
C24B-1809-1	38,1	73,1	21,0	38,5
C24B-1811-1	38,1	73,1	21,0	38,5

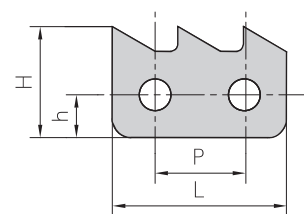
C24B-1805



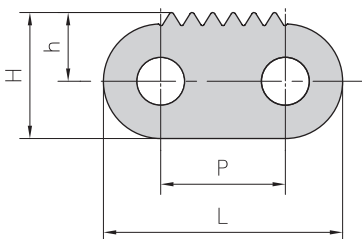
C24B-1807



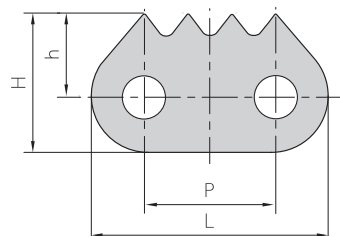
20AF1



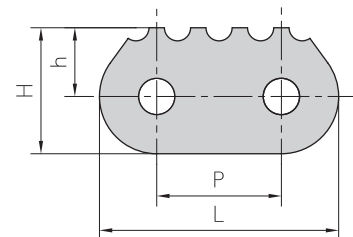
C24B-1820



C24B-4STC



120-1802



C24B-1807

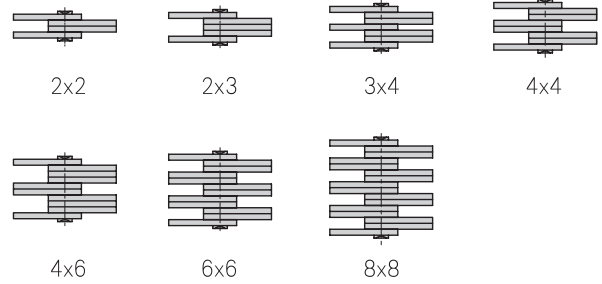
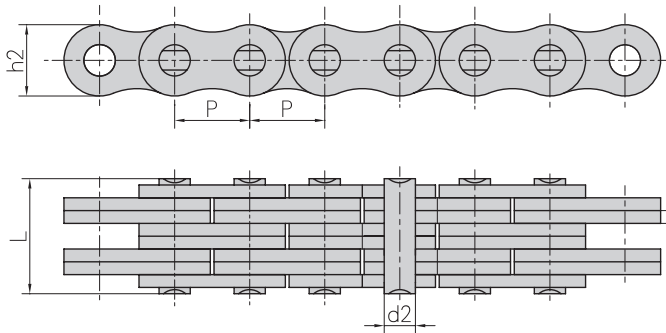
Chain No.	P	L	h	H
	mm	mm	mm	mm
C24B-1805	38,1	73,1	21,0	38,5
C24B-1807	38,1	73,1	25,5	43,0
20AF1	31,75	57,2	14,75	35,84
C24B-1820	38,1	73,1	21,0	38,5
C24B-4STC	38,1	70,4	18,3	35,0
120-1802	38,1	73,1	21,0	38,5



Leaf chains heavy series - DIN 8152

ANSI - American standard

ROLLER CHAINS

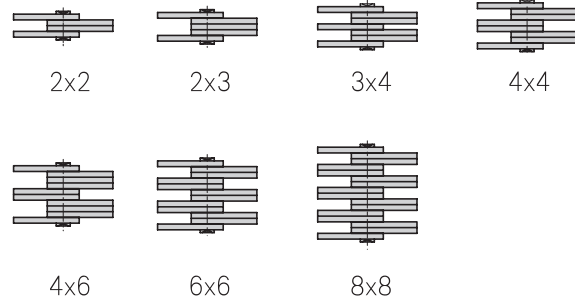
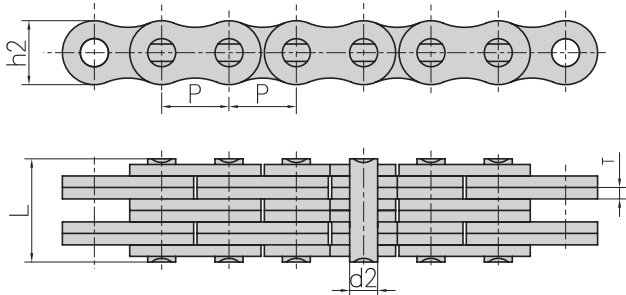


DIN Ref.	ANSI Ref.	Pitch	Plate Lacing	Plate height	Plate thickness	Pin diameter	Pin length	Ultimate tensile strength	Average tensile strength	Weight per meter
		P		h2 max	T max	d2 max	L max	F _B min.	F _{BA}	q
		mm		mm	mm	mm	mm	kN/LB	kN	kg/m
LH0822	BL422	12,7	2 x 2	12,07	2,08	5,09	11,05	22,2/5045	27,6	0,64
LH0823	BL423		2 x 3				13,16	22,2/5045	27,6	0,80
LH0834	BL434		3 x 4				17,40	33,4/7591	41,4	1,12
LH0844	BL444		4 x 4				19,51	44,5/10114	56,0	1,28
LH0846	BL446		4 x 6				23,75	44,5/10114	56,0	1,60
LH0866	BL466		6 x 6				27,99	66,7/15159	81,7	1,92
LH0888	BL488		8 x 8				36,45	89,0/20227	109,4	2,56
LH1022	BL522	15,875	2 x 2	15,09	2,44	5,96	12,90	33,4/7591	43,1	0,88
LH1023	BL523		2 x 3				15,37	33,4/7591	43,1	1,10
LH1034	BL534		3 x 4				20,32	48,9/11114	65,6	1,50
LH1044	BL544		4 x 4				22,78	66,7/15159	84,5	1,80
LH1046	BL546		4 x 6				27,74	66,7/15159	84,5	2,20
LH1066	BL566		6 x 6				32,69	100,1/22750	125,1	2,65
LH1088	BL588		8 x 8				42,57	133,4/30318	169,5	3,50
LH1222	BL622	19,05	2 x 2	18,11	3,30	7,94	17,37	48,9/11114	63,6	1,45
LH1223	BL623		2 x 3				20,73	48,9/11114	63,6	1,80
LH1234	BL634		3 x 4				27,43	75,6/17181	102,8	2,50
LH1244	BL644		4 x 4				30,78	97,9/22250	120,9	2,90
LH1246	BL646		4 x 6				37,49	97,9/22250	120,9	3,60
LH1266	BL666		6 x 6				44,20	146,8/33364	190,8	4,30
LH1288	BL688		8 x 8				57,61	195,7/44477	238,8	5,80
LH1622	BL822	25,4	2 x 2	24,13	4,09	9,54	21,34	84,5/19204	108,2	2,20
LH1623	BL823		2 x 3				25,48	84,5/19204	108,2	2,70
LH1634	BL834		3 x 4				33,76	129,0/29318	170,0	3,80
LH1644	BL844		4 x 4				37,90	169,0/38409	214,6	4,30
LH1646	BL846		4 x 6				46,18	169,0/38409	214,6	5,40
LH1666	BL866		6 x 6				54,46	253,6/57636	324,5	6,50
LH1688	BL888		8 x 8				71,02	338,1/76841	432,7	8,60



Leaf chains heavy series - DIN 8152

ANSI - American standard



ROLLER CHAINS

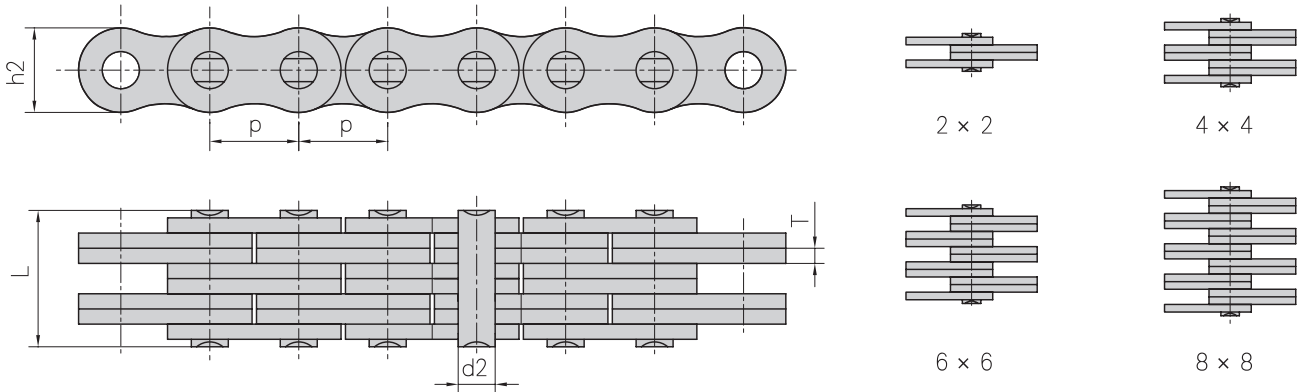
DIN Ref.	ANSI Ref.	Pitch	Plate Lacing	Plate height	Plate thickness	Pin diameter	Pin length	Ultimate tensile strength	Average tensile strength	Weight per meter
		P		h2 max	T max	d2 max	L max	F _B min.	F _{BA}	q
		mm		mm	mm	mm	mm	kN/LB	kN	kg/m
LH2022	BL1022	31,75	2 x 2	30,18	4,9	11,11	25,37	115,6/26272	150,8	3,40
LH2023	BL1023		2 x 3				30,33	115,6/26272	150,8	4,30
LH2034	BL1034		3 x 4				40,23	182,4/41454	231,6	6,00
LH2044	BL1044		4 x 4				45,19	231,3/52568	291,4	6,90
LH2046	BL1046		4 x 6				55,09	231,3/52568	291,4	8,60
LH2066	BL1066		6 x 6				65,00	347,0/78863	430,3	10,30
LH2088	BL1088		8 x 8				84,81	462,6/105136	555,1	13,80
LH2422	BL1222	38,1	2 x 2	36,20	5,77	12,71	29,62	151,2/34363	192,0	4,6
LH2423	BL1223		2 x 3				35,43	151,2/34363	192,0	5,8
LH2434	BL1234		3 x 4				47,07	244,6/55591	315,9	8,1
LH2444	BL1244		4 x 4				52,88	302,5/68750	381,1	9,3
LH2446	BL1246		4 x 6				64,52	302,5/68750	381,1	11,6
LH2466	BL1266		6 x 6				76,15	453,7/103113	543,6	13,9
LH2488	BL1288		8 x 8				99,42	605,0/137500	726,0	18,6
LH2822	BL1422	44,45	2 x 2	42,24	6,55	14,29	33,55	191,3/43477	225,7	6,1
LH2823	BL1423		2 x 3				40,16	191,3/43477	225,7	7,6
LH2834	BL1434		3 x 4				53,37	315,8/71772	372,6	10,6
LH2844	BL1444		4 x 4				59,97	382,6/86954	451,2	12,2
LH2846	BL1446		4 x 6				73,18	382,6/86954	451,2	15,2
LH2866	BL1466		6 x 6				86,39	578,3/131431	682,4	18,2
LH2888	BL1488		8 x 8				112,80	765,1/173886	902,8	24,3
LH3222	BL1622	50,8	2 x 2	48,26	7,52	17,46	39,01	289,1/65704	341,1	8,0
LH3223	BL1623		2 x 3				46,58	289,1/65704	341,1	10,0
LH3234	BL1634		3 x 4				61,72	440,4/100091	519,6	14,0
LH3244	BL1644		4 x 4				69,29	573,8/131431	680,4	16,0
LH3246	BL1646		4 x 6				84,43	578,3/131431	680,4	20,0
LH3266	BL1666		6 x 6				99,57	857,4/194863	1000,7	24,0
LH3288	BL1688		8 x 8				129,84	1156,5/262841	1364,6	32,0
LH4022	BL2022	63,5	2 x 2	60,33	9,91	23,81	51,74	433,7/98568	511,7	15,8
LH4023	BL2023		2 x 3				61,70	433,7/98568	511,7	19,8
LH4034	BL2034		3 x 4				81,61	649,4/147590	766,2	27,7
LH4044	BL2044		4 x 4				91,57	867,4/197163	1023,5	31,6
LH4046	BL2046		4 x 6				111,48	867,4/197163	1023,5	39,5
LH4066	BL2066		6 x 6				131,39	1301,1/295704	1535,2	47,4
LH4088	BL2088		8 x 8				171,22	1734,8/394272	2046,5	63,2



Leaf chains light series - DIN 8152

European standard

ROLLER CHAINS

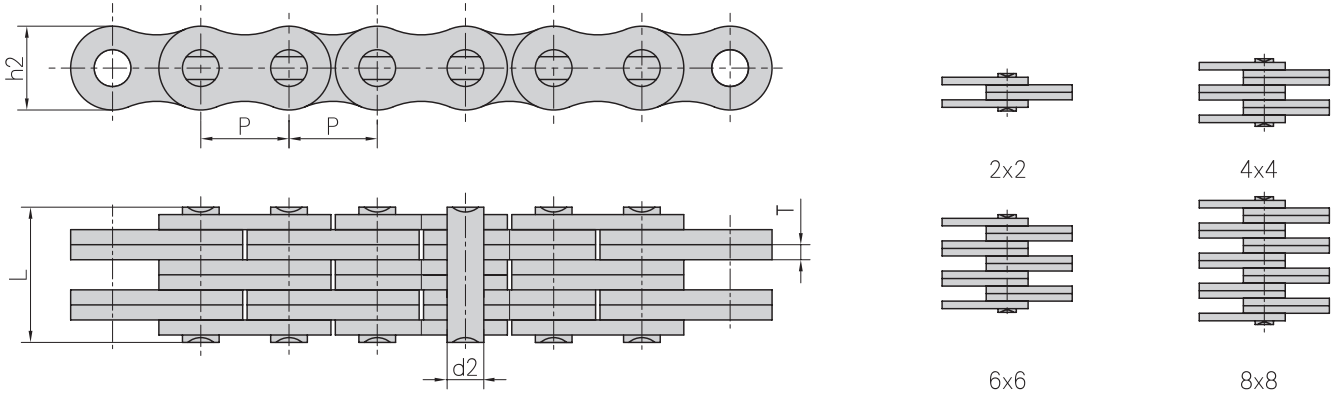



DIN Ref.	Pitch	Plate Lacing	Plate height	Plate thickness	Pin diameter	Pin length	Ultimate tensile strength	Average tensile strength	Weight per meter
BTC	P		h2 max	T max	d2 max	L max	F _B min.	F _{BA}	q
	mm		mm	mm	mm	mm	kN/LB	kN	kg/m
	LL0822	12,7	2 x 2	10,6	1,6	4,45	8,9	18,2/4094	20,4
LL0844	4 x 4		15,6				36,4/8188	40,7	0,84
LL0866	6 x 6		22,0				54,6/12283	60,0	1,24
LL0888	8 x 8		28,5				72,8/16378	80,0	1,64
LL1022	15,875	2 x 2	13,7	1,6	5,08	9,2	22,7/5107	25,5	0,54
LL1044		4 x 4				15,8	45,4/10213	51,0	1,06
LL1066		6 x 6				22,1	68,1/15321	76,3	1,57
LL1088		8 x 8				28,8	90,8/20427	101,9	2,10
LL1222	19,05	2 x 2	16,0	1,85	5,72	10,4	29,5/6637	33,2	0,73
LL1244		4 x 4				17,9	59,0/13273	66,4	1,44
LL1266		6 x 6				25,4	88,5/19910	99,7	2,15
LL1288		8 x 8				32,9	118,0/26547	132,9	2,84



Leaf chains light series - DIN 8152

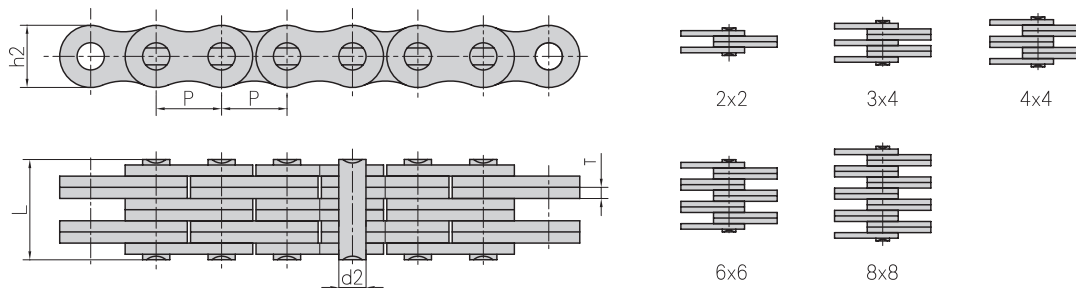
European standard




DIN Ref. 	Pitch	Plate Lacing	Plate height	Plate thickness	Pin diameter	Pin length	Ultimate tensile strength	Average tensile strength	Weight per meter
	P		h_2 max	T max	d_2 max	L max	$F_{B\ min}$	F_{BA}	q
	mm		mm	mm	mm	mm	kN/LB	kN	kg/m
LL1644	25,4	4 x 4	21,0	3,1	8,28	29,6	116,0/26363	140,0	2,90
LL1666		6 x 6				42,4	174,0/39545	208,8	4,30
LL1688		8 x 8				54,9	232,0/52726	278,0	5,71
LL2022	31,75	2 x 2	26,4	3,5	10,19	20,1	95,0/21591	109,2	2,33
LL2044		4 x 4				33,8	190,0/43182	218,5	4,40
LL2066		6 x 6				50,1	285,0/64773	324,6	6,79
LL2088		8 x 8				64,0	380,0/86363	435,1	8,90
LL2422	38,1	2 x 2	33,4	5,0	14,63	28,4	170,0/38363	195,5	4,47
LL2444		4 x 4				46,3	340,0/77273	380,8	8,22
LL2466		6 x 6				66,4	510,0/115909	571,2	12,22
LL2488		8 x 8				86,6	680,0/154545	775,2	16,30
LL2822	44,45	2 x 2	37,08	6,0	15,90	32,2	200,0/45455	224,0	5,10
LL2844		4 x 4				56,4	400,0/90909	448,0	9,90
LL2866		6 x 6				80,8	600,0/136363	672,0	14,60
LL2888		8 x 8				105,2	800,0/181818	896,0	19,40
LL3222	50,80	2 x 2	42,0	6,4	17,81	34,8	260,0/59091	291,2	6,20
LL3244		4 x 4				60,6	520,0/118182	582,4	12,30
LL3266		6 x 6				86,4	780,0/177272	873,6	18,30
LL3288		8 x 8				112,2	1040,0/233970	1176,0	24,00
LL4022	63,50	2 x 2	52,76	8,0	22,89	42,2	360,0/81818	403,2	10,30
LL4044		4 x 4				74,4	780,0/177273	873,6	20,00
LL4066		6 x 6				106,5	1080,0/245454	1209,6	30,00
LL4088		8 x 8				140,0	1440,0/323959	1747,2	39,10
LL4822	76,20	2 x 2	63,88	10,0	29,24	54,6	560,0/127272	627,2	18,50
LL4844		4 x 4				92,6	1120,0/254545	1554,4	35,70
LL4866		6 x 6				133,4	1680,0/377953	1880,0	53,00
LL4888		8 x 8				174,2	2240,0/509091	2508,8	70,40

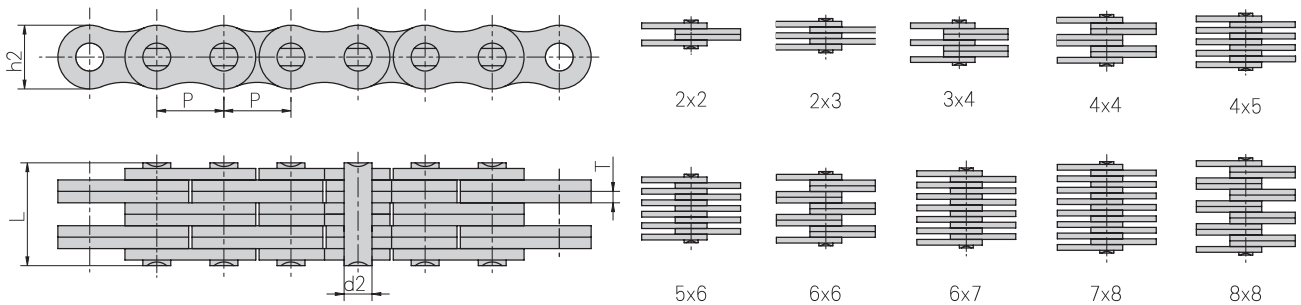


Leaf chains AL series



ANSI Ref. 	Pitch	Plate Lacing	Plate height	Plate thickness	Pin diameter	Pin length	Ultimate tensile strength	Average tensile strength	Weight per meter
	P		$h2_{max}$	T_{max}	$d2_{max}$	L_{max}	$F_B_{min.}$	F_{BA}	q
	mm		mm	mm	mm	mm	kN/LB	kN	kg/m
AL322	9,525	2 X 2	7,7	1,3	3,58	6,8	9,0/2045	10,2	0,23
AL344		4 X 4				11,6	18,0/4090	20,0	0,46
AL422	12,7	2 X 2	10,4	1,5	3,96	8,3	14,1/3205	16,9	0,39
AL444		4 X 4				14,4	28,2/6409	35,2	0,74
AL466		6 X 6				20,5	42,3/9614	52,7	1,13
AL522	15,875	2 X 2	12,8	2,03	5,08	11,1	22,0/5000	27,5	0,64
AL534		3 X 4				17,0	33,0/7500	46,0	1,10
AL544		4 X 4				19,4	44,0/10000	55,0	1,25
AL566		6 X 6				27,5	66,0/15000	82,5	1,79
AL622	19,05	2 X 2	15,6	2,42	5,94	13,0	37,0/8409	44,4	0,86
AL644		4 X 4				22,7	63,7/14450	78,8	1,76
AL666		6 X 6				32,2	100,1/22750	118,6	2,60
AL688		8 X 8				42,2	133,4/30317	156,6	3,49
AL822	25,4	2 X 2	20,5	3,25	7,92	16,0	56,7/12886	68,6	1,54
AL844		4 X 4				29,4	113,4/25773	135,6	3,00
AL866		6 X 6				44,2	170,0/38636	202,3	4,46
AL1022	31,75	2 X 2	25,6	4,0	9,53	19,6	88,5/20114	107,1	2,37
AL1044		4 X 4				36,4	177,0/40227	203,6	4,68
AL1066		6 X 6				52,3	265,0/60227	315,3	7,20
AL1088		8 X 8				68,5	354,0/80454	421,2	9,94
AL1222	38,1	2 X 2	30,5	4,8	11,10	24,3	127,0/28864	151,1	3,65
AL1244		4 X 4				43,8	254,0/57727	299,7	7,05
AL1266		6 X 6				63,2	381,0/86591	426,3	10,50
AL1288		8 X 8				82,6	508,0/11545	568,4	14,03
AL1444	44,45	4 X 4	36,4	5,6	12,64	51,3	372,7/84705	413,6	10,34
AL1466		6 X 6				74,6	559,0/127045	620,4	15,16
AL1644	50,8	4 X 4	41,6	6,4	14,21	58,0	471,0/107045	522,8	12,98
AL1666		6 X 6				83,8	706,0/160454	783,6	19,76
AL1688		8 X 8				109,5	942,0/214090	1045,5	25,47

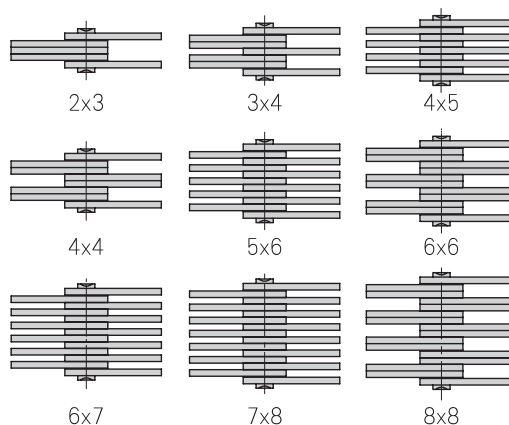
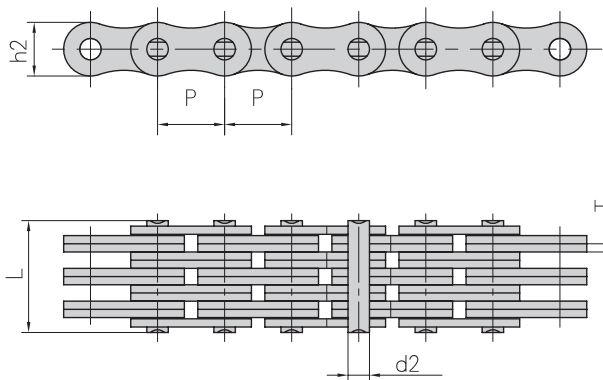
Leaf chains FL and FLC series



Chain No.	Pitch	Plate Lacing	Plate height	Plate thickness	Pin diameter	Pin length	Ultimate tensile strength	Average tensile strength	Weight per meter
	P		h2 max	T max	d2 max	L max	F _B min.	F _{BA}	q
	mm		mm	mm	mm	mm	kN/LB	kN	kg/m
FL644	5,940	4X4	4,7	0,60	1,85	6,6	6,5/1477	7,8	0,13
FL666	5,940	6 X 6	4,7	0,60	1,85	9,3	9,75/2216	11,8	0,20
FL688	5,940	8 X 8	4,7	0,60	1,85	12,0	13,0/2955	15,6	0,25
FL844	8,000	4 X 4	6,9	0,73	2,31	7,9	10,0/2273	12,1	0,25
FL944	9,525	4 X 4	8,7	1,04	3,28	10,4	21,0/4773	24,7	0,43
FL966	9,525	6 X 6	8,7	1,00	3,28	14,9	31,0/7045	36,8	0,65
F122	12,700	2 X 2	8,2	1,00	3,58	7,0	11,43/2598	13,6	0,19
F1223	12,700	2 X 3	10,2	2,03	4,45	12,8	20,0/4545	23,8	0,61
FL1244	12,700	4 X 4	10,2	1,70	4,45	16,7	44,0/10000	52,3	0,83
F19V-44	19,050	4 X 4	15,2	2,42	6,50	22,4	71,0/16136	84,3	1,73
F19V-66	19,050	6 X 6	15,2	2,42	6,50	32,3	106,0/24090	125,9	2,57
FLC534	15,875	3 X 4	12,70	1,85	5,08	15,3	40,4/9181	44,4	0,99
FLC545	15,875	4 X 5	12,70	1,85	5,08	19,2	54,3/12340	59,7	1,27
FLC556	15,875	5 X 6	12,70	1,85	5,08	22,7	67,6/15363	74,3	1,54
FLC1056	31,750	5 X 6	25,4	3,25	9,53	40,6	137,9/31340	151,0	5,44
FLC1067	31,750	6 X 7	25,4	3,25	9,53	47,2	165,4/37590	181,9	6,42
FLC1078	31,750	7 X 8	25,4	3,25	9,53	53,8	193,0/43863	212,0	7,40

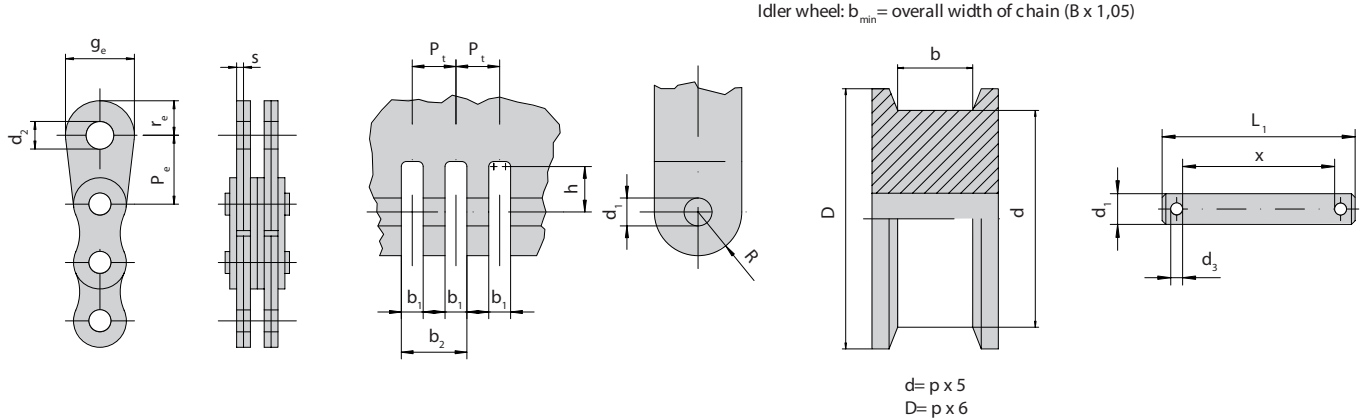


Special leaf chains



Chain No.	Pitch	Plate Lacing	Plate height	Plate thickness	Pin diameter	Pin length	Ultimate tensile strength	Weight per meter
	P		h2 max	T max	d2 max	L max	F _B min.	q
	mm		mm	mm	mm	mm	kN/LB	kg/m
1234	12,7	3 X 4	10,6	1,7	4,45	14,2	31,0/6974	0,75
1256		5 X 6				21,1	53,0/12045	1,17
1288		8 X 8				29,9	85,0/19318	1,7
1523	15,875	2 X 3	12,7	1,94	5,08	12,1	29,0/6590	0,75
1534		3 X 4				16,0	46,0/10454	1,04
1544		4 X 4				18,1	58,0/13181	1,18
1545		4 X 5				20,3	58,0/13181	1,33
1556		5 X 6				24,0	72,0/16363	1,63
1566		6 X 6				26,2	87,0/19772	1,77
1567		6 X 7				28,0	90,0/20454	1,91
1578		7 X 8				32,5	101,0/22954	2,2
1588		8 X 8				34,0	115,0/26136	2,34
1944		19,05				4 X 4	15,0	2,29
1966	6 X 6		30,7	110,0/25000	2,37			
1988	8 X 8		40,0	140,0/31817	3,13			
2523	25,4	2 X 3	20,2	3,06	8,28	18,8	72,0/16363	1,83
2534		3 X 4				25,3	108,0/24545	2,55
2545		4 X 5				31,6	144,0/30727	3,26
2556		5 X 6				37,2	180,0/40908	3,96
2567		6 X 7				43,8	216,0/49090	4,68
2578		7 X 8				50,0	252,0/57272	5,39
2588		8 X 8				52,8	290,0/65908	5,77


Pear drop end link, Clevis block dimensions and Clevis pins



Chain No.	Pear drop end link					Clevis Block Dimensions						Clevis Pin			
	pe	$d2$	ge	$s_{max.}$	re	$b1$	$b2$	Pt	$d1$	$h_{min.}$	$R_{max.}$	$d1$	$d3$	$L1_{max.}$	$x_{min.}$
	mm	mm	mm	mm	mm	mm	mm	mm	mm	mm	mm	mm	mm	mm	mm
LL 0822														13,15	6,90
844	15,00	6,00	16,00	1,60	10,00	3,50	10,16	6,76	4,46	6,50	6,50	4,45	1,60	20,15	13,70
866														27,15	20,50
LL 1022														13,50	7,00
1044	20,00	8,00	18,00	1,60	11,00	3,50	10,16	6,76	5,09	8,00	8,00	5,08	1,60	20,15	14,00
1066														27,15	21,00
1088														34,15	28,00
LL 1222														13,95	7,70
1244	30,00	10,00	20,00	1,90	12,00	3,90	11,66	7,76	5,73	9,00	10,00	5,72	1,60	21,75	15,30
1266														29,55	22,90
LL 1622														24,05	13,80
1644	30,00	12,00	25,00	3,00	15,00	6,50	19,50	13,00	8,30	13,00	13,00	8,28	3,20	37,05	27,40
1666														50,05	41,00
1688														63,05	54,60
LL 2022														26,05	15,25
2044	50,00	18,00	40,00	3,50	25,00	7,50	22,50	15,00	10,21	15,00	16,50	10,19	3,20	41,05	30,30
2066														56,05	45,25
2088														71,05	60,25
LL 2422														34,05	21,75
2444	65,00	24,00	50,00	5,00	29,00	10,50	31,50	21,00	14,65	18,00	20,00	14,63	4,00	56,35	43,20
2466														77,75	64,50
2488														99,15	86,00
LL 2822														39,45	26,25
2844	80,00	28,00	60,00	6,00	32,00	13,00	39,00	26,00	15,93	22,00	24,00	15,92	4,00	65,25	52,05
2866														91,05	77,85
2888														116,45	103,65
LL 3222														46,65	27,70
3244	90,00	32,00	70,00	6,30	43,00	13,00	39,00	26,00	17,83	26,00	27,00	17,81	5,00	70,65	54,90
3266														97,65	82,10
3288														124,65	109,30
LL 4022														54,60	34,50
4044	100,00	38,00	80,00	8,00	46,50	16,60	49,80	33,20	22,91	32,00	35,00	22,89	6,30	88,50	68,50
4066														122,60	102,50
4088														156,60	136,50

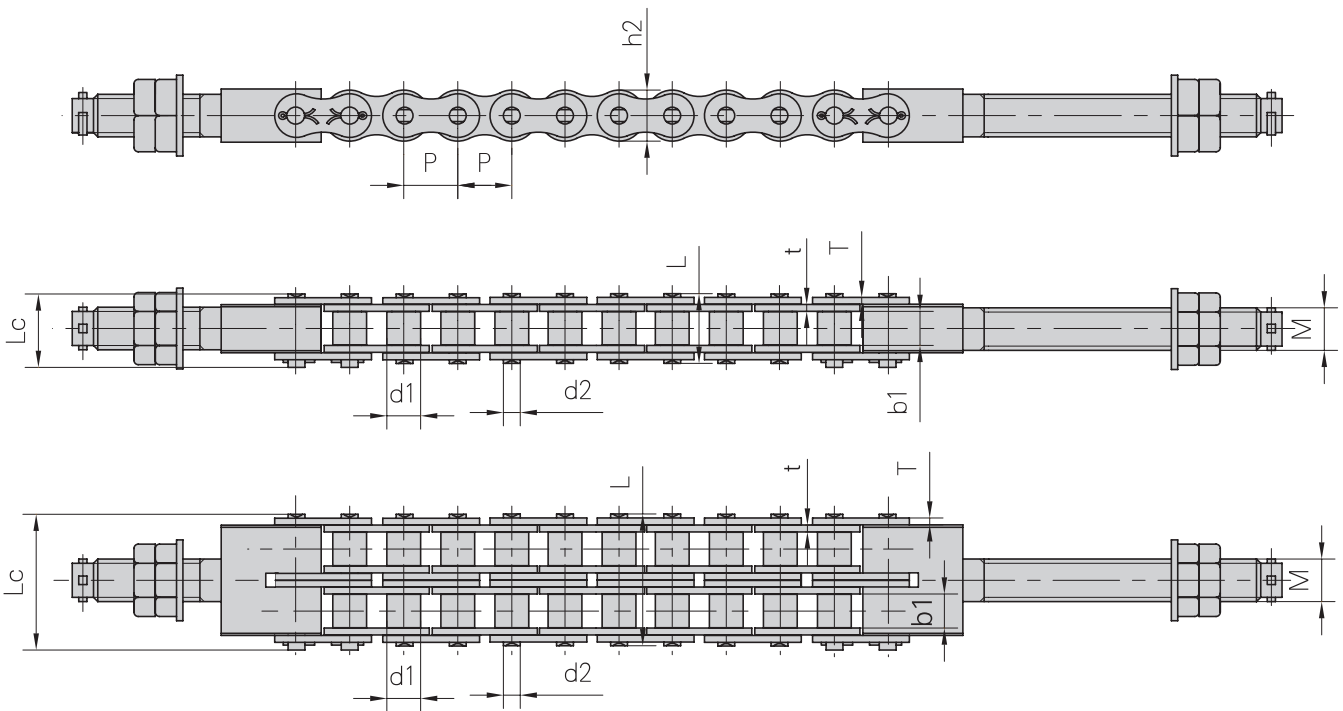


Pear drop end link, Clevis block dimensions and Clevis pins

Chain No. 	Pear drop end link					Clevis Block Dimensions						Clevis Pin			
	<i>pe</i>	<i>d2</i>	<i>ge</i>	<i>s_{max.}</i>	<i>re</i>	<i>b1</i>	<i>b2</i>	<i>Pt</i>	<i>d1</i>	<i>h_{min.}</i>	<i>R_{max.}</i>	<i>d1</i>	<i>d3</i>	<i>L1_{max.}</i>	<i>χ_{min.}</i>
	mm	mm	mm	mm	mm	mm	mm	mm	mm	mm	mm	mm	mm	mm	mm
BL 422						4,20								14,82	8,82
423						6,52								17,00	11,00
434						4,20	10,40	6,35	5,12	6,50	6,35	5,08	1,60	21,36	15,36
444						4,20	12,40	8,48						23,54	17,54
446						6,60	17,20	10,62						29,90	21,90
466						4,20	12,40	8,48						32,26	26,26
BL 522						5,05								17,71	10,51
523						7,65								20,30	13,10
534						5,05	12,50	7,44	5,98	7,50	7,92	5,97	2,00	25,50	18,28
544						5,05	15,18	9,91						28,00	20,87
546						7,65	20,04	12,40						33,25	26,05
566						5,05	15,18	9,01						38,50	31,23
BL 622						6,85								25,00	14,20
623						10,31								28,50	17,70
634						6,85	16,89	10,06	7,96	9,00	9,53	7,93	3,20	35,50	24,70
646						10,31	27,08	16,76						46,00	35,20
BL 822						8,43								28,66	17,61
823						12,73								33,05	21,95
834						8,43	20,85	12,42	9,56	13,00	12,70	9,52	3,20	41,83	30,63
846						12,73	33,43	20,70						55,00	43,65
BL 1023						15,21								37,00	26,10
1034						10,08	24,94	14,86	11,14	16,00	15,88	11,09	3,20	47,20	35,50
1046						15,21	39,98	24,77						63,00	50,20
BL 1223						17,86								42,00	29,85
1234						11,84	29,29	17,45	12,74	19,00	19,05	12,70	4,00	54,80	41,80
1246						17,86	46,94	29,08						72,80	59,70
BL 1423						20,27								46,90	33,90
1434						13,44	33,25	19,81	14,31	22,00	22,23	14,27	4,00	60,30	46,90
1446						20,27	53,29	33,02						80,40	67,00
BL 1623						23,22								51,35	37,65
1634						15,39	38,10	22,71	17,49	26,00	25,40	17,44	5,00	66,50	52,71
1646						23,22	61,06	37,85						89,00	75,30
AL 422														12,75	6,50
444						3,20	9,56	6,36	3,98	5,50	5,50	3,96	1,60	19,35	12,90
466														25,95	19,30
AL 522														14,63	8,38
544														23,11	16,66
566						4,14	12,29	8,15	5,09	6,50	6,50	5,07	1,60	31,59	24,94
588														40,07	33,22
AL 644														27,32	21,32
666	25,00	10,00	20,00	2,40	11,20	5,08	15,14	10,06	5,93	8,00	8,00	5,91	2,00	37,68	31,88
AI 844														37,40	26,60
866						6,40	19,10	12,70	7,96	11,00	11,00	7,92	3,20	50,60	39,80
AL 1044														45,58	34,78
4066	40,00	14,00	30,00	4,00	18,00	8,22	24,56	16,34	9,55	13,50	13,00	9,51	3,20	62,82	52,02
AL 1244														54,99	41,34
1266						9,86	29,48	19,32	11,13	16,00	16,00	11,09	4,00	75,71	61,86
AL 1444														61,23	48,03
1466						11,42	34,18	22,74	12,71	18,00	18,00	12,67	4,00	85,07	71,87
AL 1644														71,69	55,49
1666						13,06	39,08	26,02	14,26	21,00	21,00	14,22	4,00	98,60	83,01

Tightener bolts and blocks with roller chains

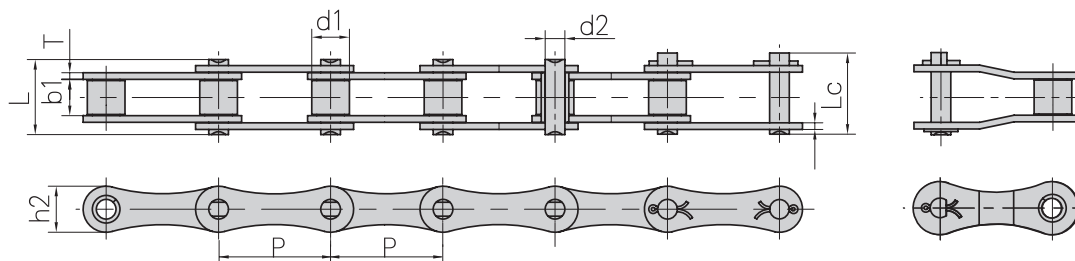
Simplex & duplex



Chain No.	Pitch	Roller diameter	Width between inner plates	Pin diameter	Pin length		Inner Plate height	Plate thickness	Bolt type	Ultimate tensile strength	Average tensile strength	Weight per meter
	P	d1 max	b1 min	d2 max	L max	Lc max	h2 mx	t/T max	M nom	F _B min.	F _{BA}	q
	mm	mm	mm	mm	mm	mm	mm	mm	mm	kN/LB	kN	kg/m
16ALT-1	25,40	15,88	15,75	7,92	32,7	36,5	24,0	3,25	M20	71,55/16261	81,8	2,60
16ALT-2	25,40	15,88	15,75	7,92	62,7	65,8	24,0	3,25	M20	143,10/32523	166,3	5,15
20ALT-1	31,75	19,05	18,90	9,53	40,4	44,7	30,0	4,00	M24	107,85/24511	118,6	3,91
20ALT-2	31,75	19,05	18,90	9,53	76,4	80,5	30,0	4,00	M24	215,70/49023	234,4	7,80
20ALT-3	31,75	19,05	18,90	9,53	112,2	116,3	30,0	4,00	M24	323,55/73534	351,6	11,77
24ALT-1	38,10	22,23	25,22	11,10	50,3	54,3	35,7	4,80	M30	149,20/330909	161,1	5,62
24ALT-2	38,10	22,23	25,22	11,10	95,8	99,7	35,7	4,80	M30	298,40/67818	322,2	11,70



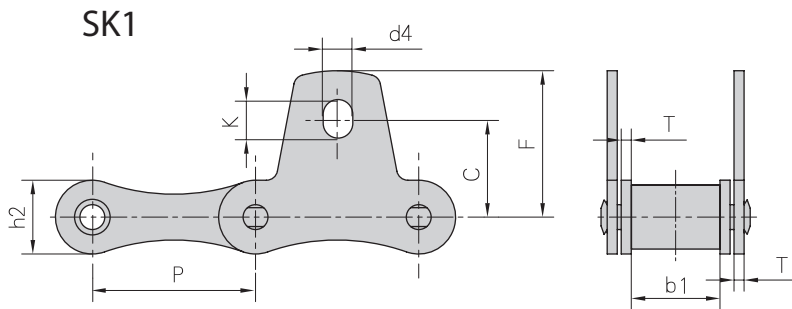
Agriculture chains type S - DIN 8189



Chain No.	Pitch	Roller diameter	Width between Inner plates	Pin diameter	Pin length		Inner Plate height	Plate thickness	Ultimate tensile strength	Average tensile strength	Weight per meter
	P	d1 max	b1 min	d2 max	L max	Lc Max	h2 max	T max	F _B min.	F _{BA}	q
	mm	mm	mm	mm	mm	mm	mm	mm	kN/LB	kN	kg/m
S32	29,21	11,43	15,88	4,45	26,7	28,8	13,2	1,8	8,0/1818	21,6	0,86
S32V	29,21	11,43	15,88	5,08	27,3	29,7	13,5	2,1	25,0/5680	27,0	0,96
S42	34,93	14,27	19,05	7,00	34,3	37,0	19,8	2,8	27,0/6136	50,8	1,60
S45	41,40	15,24	22,23	5,72	37,7	40,4	17,3	2,8	18,0/4091	36,1	1,66
S51	38,10	15,24	16,00	5,72	30,9	33,8	17,3	2,8	28,0/6364	30,8	1,48
S52L	38,10	15,24	16,40	5,72	30,9	33,8	16,5	2,5	29,2/6636	32,2	1,36
S52	38,10	15,24	22,23	5,72	37,7	40,4	17,3	2,8	18,0/4091	36,1	1,68
S5V	41,40	17,90	22,23	8,22	39,3	42,4	20,0	3,0	42,0/9546	45,0	2,22
S55	41,40	17,78	22,23	5,72	37,7	40,4	17,3	2,8	18,0/4091	36,1	1,80
S55R	41,40	17,78	22,23	8,90	41,0	44,0	22,4	3,5	45,0/10227	73,1	2,49
S55RH	41,40	17,78	22,23	8,90	43,2	46,4	22,4	4,0	65,0/14772	84,5	2,74
S62	41,91	19,05	26,20	5,72	40,3	43,0	17,3	2,5	26,7/6067	36,1	1,87
S62F5	41,91	19,05	26,20	5,72	40,3	43,0	16,7	2,5	26,7/6067	36,1	2,07
S77	58,34	18,26	22,23	8,90	43,2	46,4	26,2	4,0	45,0/10227	73,1	2,66
S88	66,27	22,86	28,58	8,90	49,8	53,0	26,2	4,0	45,0/10227	73,1	3,25
CA642	41,40	15,88	19,00	8,28	36,1	39,1	21,2	3,0	50,0/11363	55,0	1,98
CA650	50,80	25,00	18,90	9,53	40,4	44,7	25,0	4,0	90,0/20454	95,5	3,49
CA650F2	50,80	20,00	18,90	9,53	40,4	44,7	25,0	4,0	90,0/20454	95,5	2,98

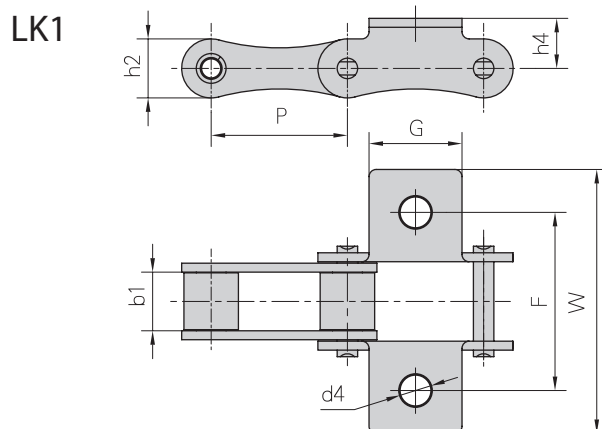
Standard execution zinc plated

Agriculture chains type S - DIN 8189



Chain No. 	<i>p</i>	<i>b1</i>	<i>h2</i>	<i>T</i>	<i>C</i>	<i>F</i>	<i>d4</i>	<i>K</i>
	mm	mm	mm	mm	mm	mm	mm	mm
S32 SK1	29,21	15,88	13,2	1,8	17,3	26,2	5,3	6,9
S42 SK1	34,93	19,05	19,8	2,8	23,6	34,3	8,3	11,5
S45 SK1	41,40	22,23	17,3	2,8	19,8	30,2	8,3	11,5
S52 SK1	38,10	22,23	17,3	2,8	22,1	31,8	8,3	9,9
S55 SK1	41,40	22,23	17,3	2,8	19,8	30,2	8,3	11,5
S62 SK1	41,91	26,20	17,3	2,5	24,6	38,6	8,3	14,7
S77 SK1	58,34	22,23	26,2	4,0	36,3	50,0	8,3	11,5
S88 SK1	66,27	28,58	26,2	4,0	43,7	55,6	8,3	9,9

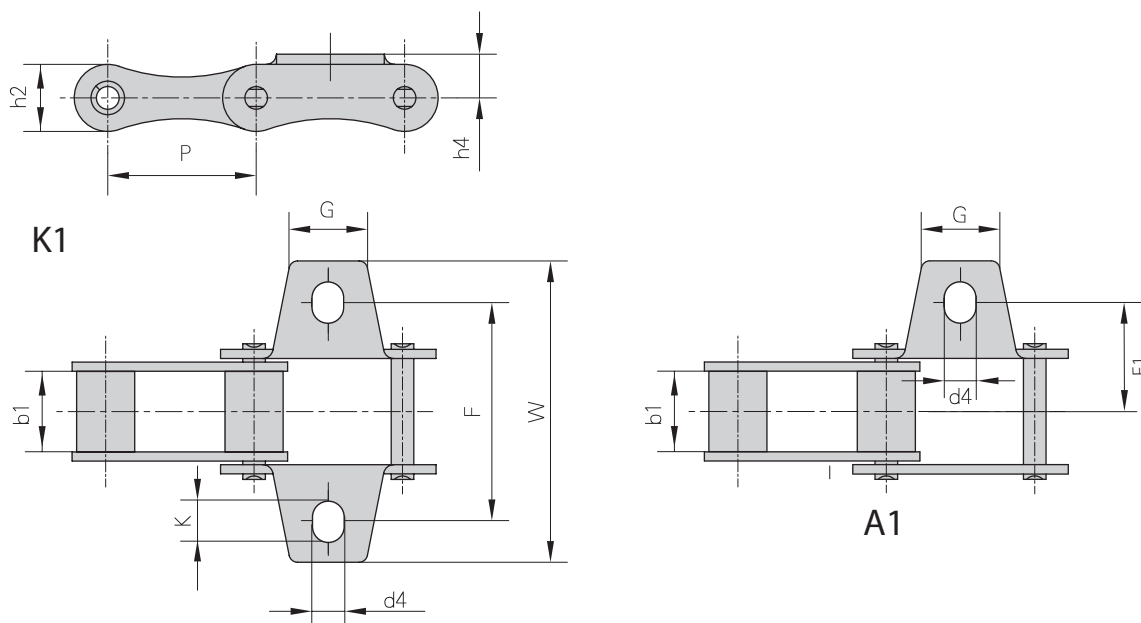
Standard execution zinc plated



Chain No. 	<i>p</i>	<i>b1</i>	<i>G</i>	<i>F</i>	<i>W</i>	<i>h4</i>	<i>d4</i>
	mm	mm	mm	mm	mm	mm	mm
S52 LK1	38,1	16,4	26,0	50,0	74,0	14,0	9,0

Standard execution zinc plated

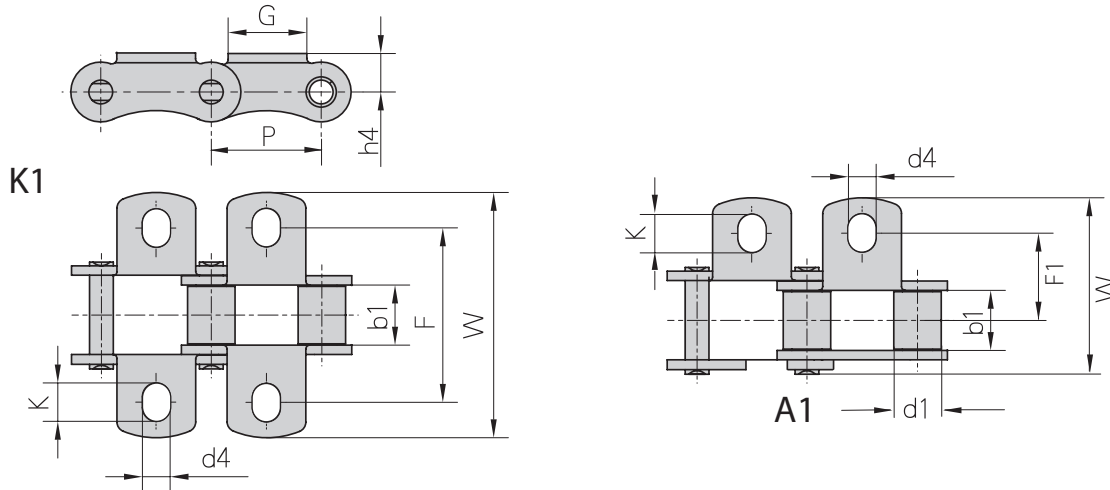
Agriculture chains type S - DIN 8189




Chain No.	P	b1	G	F	F1	W	h4	d4	K	h2
	mm	mm	mm	mm	mm	mm	mm	mm	mm	mm
S32 K1	29,21	15,88	15	42,9	21,45	61,0	8,6	5,3	6,9	13,2
S32 K1F1	29,21	15,88		42,9	21,45	61,0	8,6	6,5	8,1	13,2
S42 K1	34,93	19,05	17,5	54,0	27	74,9	14,0	8,3	11,5	19,8
S45 K1	41,40	22,23	22,0	54,0	27	75,0	11,4	8,5	11,7	17,3
S51 K 1	38,10	16,0	19,0	49,8	24,9	71,5	11,4	8,3	9,9	17,3
S52 K1	38,10	22,23	19,0	58,8	29,4	78,0	11,4	8,3	9,9	17,3
S52 K1F1	38,10	22,23	19,0	58,8	29,4	78,0	11,4	6,6	8,2	17,3
S55 K1	41,40	22,23	22,0	54,0	27	75,0	11,4	8,5	11,7	17,3
S62 K1	41,91	26,2	22,0	66,8	33,4	95,4	11,4	8,3	14,7	17,3
S62 A2K1	41,91	26,2	22,0	66,7	33,35	95,5	12,6	8,3	14,7	17,3
S62 F2K1	41,91	26,2	22,0	66,8	33,4	95,4	11,4	6,5	13,0	17,3
S77 K1	58,34	22,23	25,0	76,2	38,1	102,0	20,8	8,3	11,5	26,2
S88 K1	66,27	28,58	22,0	97,0	48,5	119,4	20,8	8,3	9,9	26,2

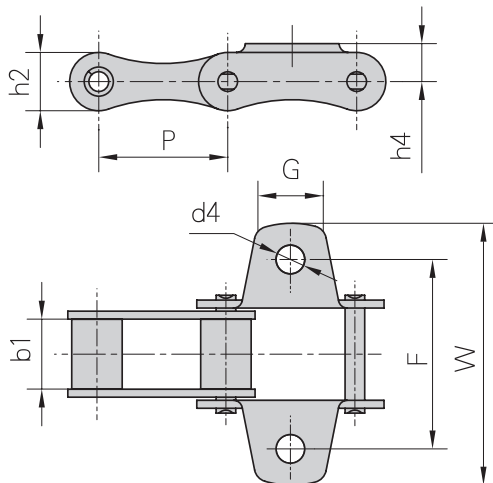
Standard execution zinc plated


Agriculture chains type S - DIN 8189



Chain No.	<i>p</i>	<i>b1</i>	<i>G</i>	<i>F</i>	<i>F1</i>	<i>W</i>	<i>h4</i>	<i>d4</i>	<i>K</i>	<i>d1</i>
	mm	mm	mm	mm	mm	mm	mm	mm	mm	mm
S55RH	41,4	22,23	25,0	63,6	31,8	90,4	15,5	8,6	12,0	17,78
S55RH / 25	41,4	22,23	25,0	63,6	31,8	90,4	15,5	8,6	12,0	25

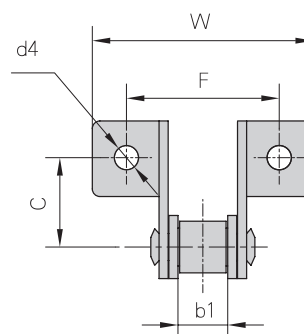
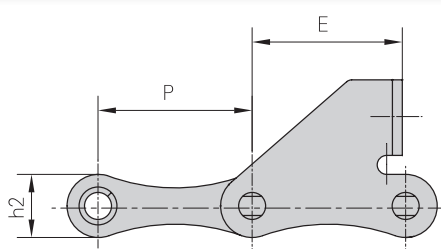
Standard execution zinc plated



Chain No.	<i>p</i>	<i>b1</i>	<i>G</i>	<i>F</i>	<i>W</i>	<i>h4</i>	<i>d4</i>	<i>h2</i>
	mm	mm	mm	mm	mm	mm	mm	mm
S55F5	41,4	22,23	22,0	56,0	75,0	11,4	10,0	17,3
S77K1 F1	58,34	22,23	26,0	76,2	103,8	20,8	10,5	26,2

Standard execution zinc plated

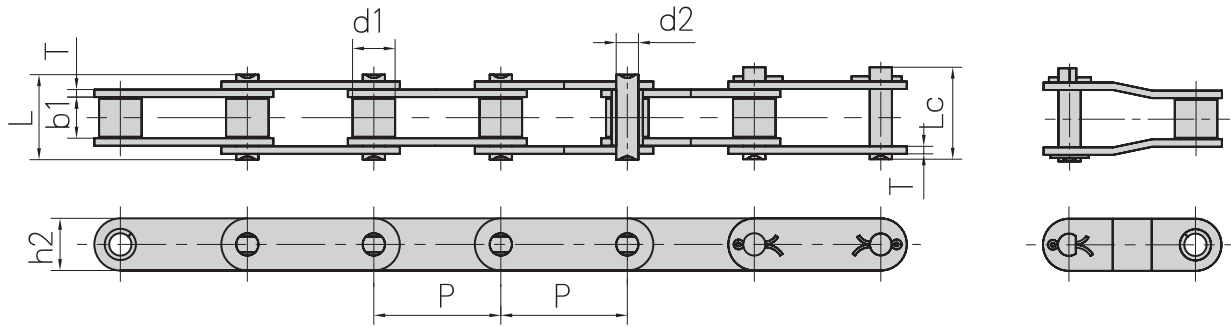
Agriculture chains type S - DIN 8189 and CA



Chain No.	<i>P</i>	<i>b1</i>	<i>C</i>	<i>E</i>	<i>F</i>	<i>W</i>	<i>d4</i>	<i>h2</i>
	mm	mm	mm	mm	mm	mm	mm	mm
S32 SD	29,21	15,88	20,0	19,2	58,0	78,0	6,4	13,2
S45 W-F1	41,40	22,23	20,0	37,0	58,0	87,0	6,6	17,3
S45 W-F4	41,40	22,23	20,5	33,2	58,0	85,6	6,6	17,3
S45 F1	41,40	22,23	21	25,0	62,4	83,4	8,5	17,3
S52 SD	38,10	22,23	20,0	19,2	62,0	88,5	6,4	17,3
S52 F4	38,10	15,8	20,6	37,0	53,8	69,5	6,4	16,7
S52 F8	38,10	22,23	20,6	37,0	60,7	76,4	6,4	17,3
S52 F9	38,10	18,5	20,0	18,5	54,5	71,0	6,5	16,5
S52 LSD	38,10	16,4	20,0	17,5	54,5	71,0	6,5	16,5
S55 F2	41,40	22,23	20,0	37,0	58,0	87,0	6,4	17,3
S55 F3	41,40	22,23	20,5	33,2	58,0	85,6	6,6	17,3
S55 F4	41,40	22,23	20,0	37,0	58,0	87,0	6,6	17,3
S55 F6	41,40	22,23	20,0	30,0	58,0	87,0	6,4	17,3
S55 F7	41,40	22,23	20,5	33,2	62,0	85,6	6,6	17,3
S62 SD	41,91	26,2	20,0	32,6	61,4	92,0	6,4	17,3

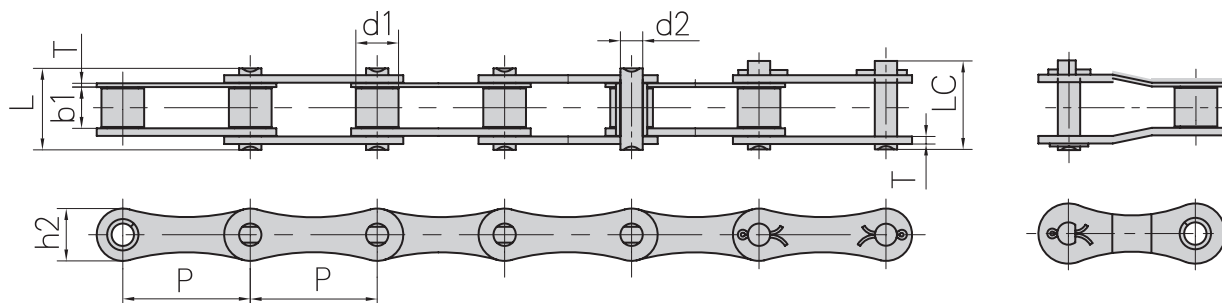
Chain No.	<i>P</i>	<i>b1</i>	<i>C</i>	<i>E</i>	<i>F</i>	<i>W</i>	<i>d4</i>	<i>h2</i>
	mm	mm	mm	mm	mm	mm	mm	mm
CA550SD	41,4	19,81	31,0	36,9	47,6	68,2	8,7	19,3
CA550SDF4	41,4	19,81	31,0	36,9	47,6	89,0	8,7	19,0
CA550SDF10	41,4	19,81	31,0	37,7	47,6	68,2	8,5	19,0
CA550F5SDF1	41,4	20,24	31,0	36,9	47,6	68,2	8,7	19,1

Agriculture chains type A and CA

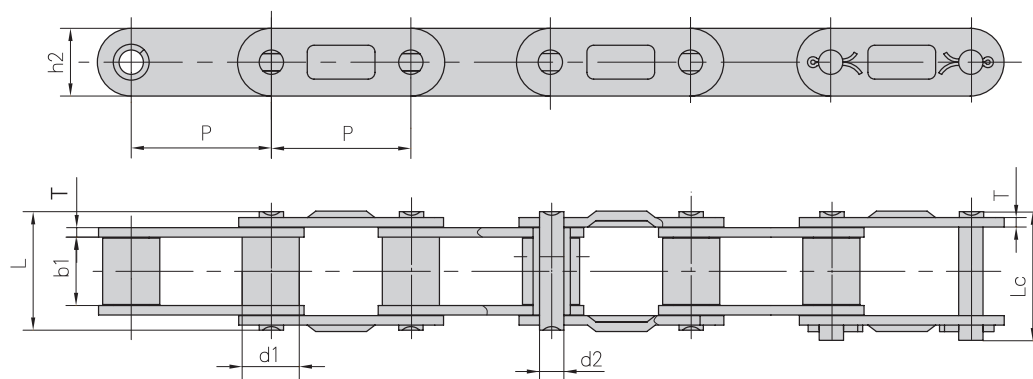


Chain No.	Pitch	Roller diameter	Width between inner plates	Pin diameter	Pin length		Inner plate height	Plate thickness	Ultimate tensile strength	Average tensile strength	Weight per meter
	P	d1 max	b1 min	d2 max	L max	Lc max	h2 max	T max	F _B min.	F _{BA}	q
	mm	mm	mm	mm	mm	mm	mm	mm	kN/LB	kN	kg/m
CA550	41,40	16,87	19,81	7,19	35,0	38,0	19,30	2,80	39,10/8886	51,2	1,94
CA550V	41,40	16,80	19,05	8,28	36,1	39,1	22,00	3,00	55,00/12499	68,7	2,24
CA555	41,40	16,87	12,70	7,19	29,1	32,0	19,30	3,10	39,10/8886	56,0	1,72
CA557	41,40	17,78	20,24	8,00	37,4	40,6	23,10	3,10	55,61/12639	74,3	2,60
CA620	42,01	17,91	24,51	7,19	41,8	45,2	20,20	3,25	39,10/8886	55,1	2,35
CA650	50,80	19,05	19,05	9,53	40,5	46,8	25,50	4,00	90/20454	95,5	3,49
CA206OH	38,10	11,91	12,70	5,94	29,2	31,6	18,00	3,25	31,10/6996	40,5	1,45
CA2063H	38,10	11,89	12,70	5,94	29,4	34,2	19,30	3,25	31,28/7109	40,5	1,65
CA550F4	41,40	14,35	20,24	7,14	35,0	38,5	19,05	2,80	50,00/11363	52,0	1,76
CA550F5	41,40	16,66	20,24	7,14	35,0	38,5	19,05	2,80	45,00/10227	52,0	1,97
CAE44151	28,57	15,88	16,20	7,92	33,5	36,9	22,20	3,25	58,80/13363	64,5	2,73
38.4R	38,40	15,88	19,05	6,92	33,8	36,4	17,30	2,50	33,00/7480	41,2	1,70
38.4V	38,40	15,88	18,00	6,92	35,0	38,0	17,30	3,00	40,00/9091	50,0	1,83
38.4VB	38,40	15,88	19,05	8,28	36,1	39,4	20,50	3,00	50,00/11363	62,5	2,17
55VD	41,40	17,90	23,00	8,22	39,3	42,4	20,00	2,80	42,00/9546	45,0	2,34
S62F3	41,91	19,05	25,40	8,00	42,0	44,6	26,00	3,00	47,00/10796	58,7	3,12

Agriculture chains type A and CA

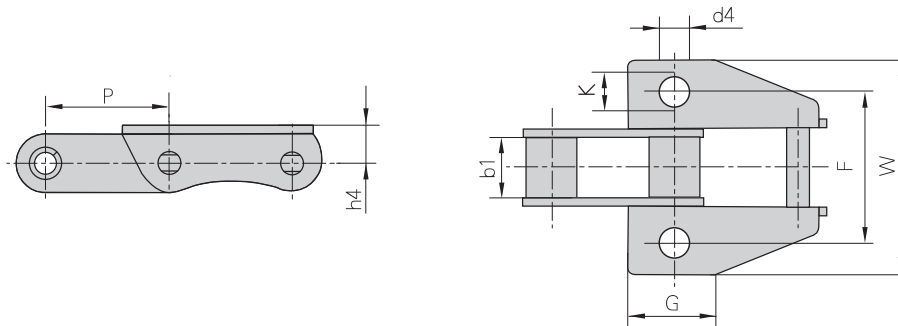


Chain No.	Pitch	Roller diameter	Width between inner plates	Pin diameter	Pin length		Inner plate height	Plate thickness	Ultimate tensile strength	Average tensile strength	Weight per meter
	P	d1 max	b1 min	d2 max	L max	Lc max	h2 max	T max	F _B min.	F _{BA}	q
	mm	mm	mm	mm	mm	mm	mm	mm	kN/LB	kN	
A550	41,40	16,87	19,81	7,19	35,00	38,00	19,30	2,80	39,10/8886	51,2	1,79
A555	41,40	16,87	12,70	7,19	29,10	32,00	19,30	3,10	39,10/8886	56,0	1,60
A557	41,40	17,78	20,24	8,00	37,40	40,60	23,10	3,10	55,61/12639	74,3	2,45
A620	42,01	17,91	24,51	7,19	41,80	45,20	20,20	3,25	39,10/8886	55,1	2,18
S55H	41,40	17,78	22,23	9,10	40,00	44,50	23,10	3,00	50,0	58,0	2,65

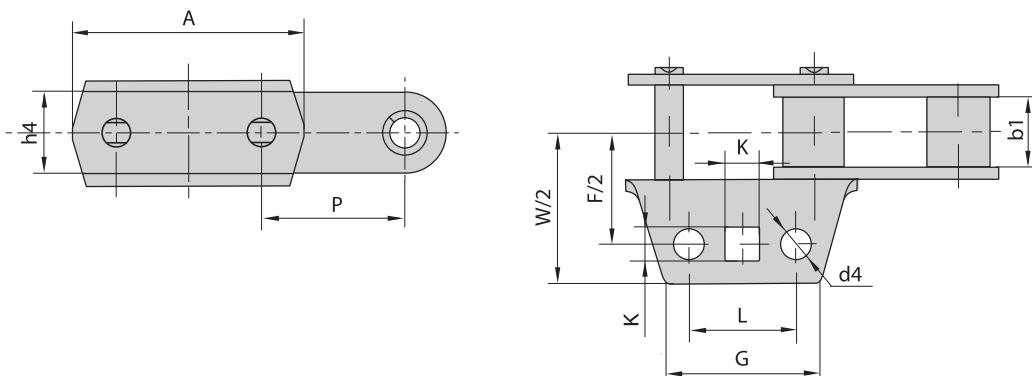


Chain No.	Pitch	Roller diameter	Width between inner plates	Pin diameter	Pin length		Inner plate height	Plate thickness	Ultimate tensile strength	Average tensile strength	Weight per meter
	P	d1 max	b1 min	d2 max	L max	Lc max	h2 max	T max	F _B min.	F _{BA}	q
	mm	mm	mm	mm	mm	mm	mm	mm	kN/LB	kN	kg/m
CA550D	41,40	16,87	19,81	7,19	35,0	38,0	19,3	2,80	39,10/8886	51,2	1,94
CA555D	41,40	16,87	12,70	7,19	29,1	32,0	19,3	3,1	39,10/8886	56,0	1,72
CA557D	41,40	17,78	20,24	8,00	37,4	40,6	23,1	3,1	55,61/12639	74,3	2,60
CA620D		17,91	24,51	7,19	41,8	45,2	20,2	3,3	39,10/8886	55,1	2,35
CA627	30,0	15,88	19,05	8,28	36,0	39,2	20,65	3,0	48,0	48,0	2,45

Agriculture chains type CA and 38.4

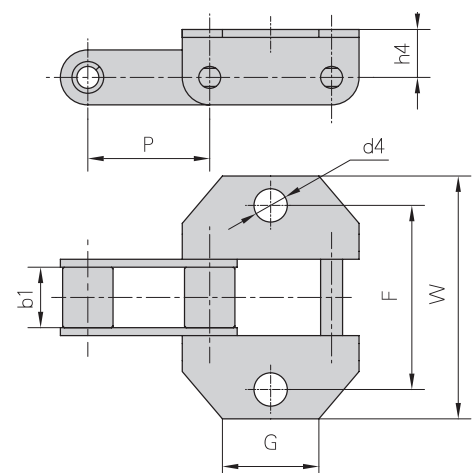


BTC Chain No.	P	b1	G	F	W	h4	d4	k
	mm	mm	mm	mm	mm	mm	mm	mm
CA550-K339M	41,4	20,1	29,5	50,8	71,4	71,4	9,8	9,8
CA557-K39	41,4	20,4	22,7	57,2	77,8	77,8	10,5	10,5
CA557-K39N1	41,4	20,4	24,3	50,8	78,0	78,0	10,5	13,0
CA557-K39N2	41,4	20,4	24,3	57,4	78,0	78,0	10,5	13,0

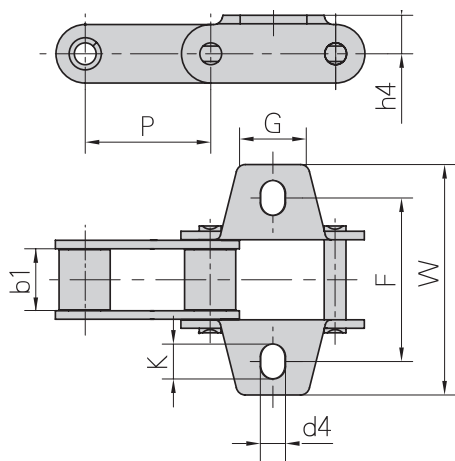



BTC Chain No.	P	b1	A	L	G	F	W	h4	d4	K
	mm	mm	mm	mm	mm	mm	mm	mm	mm	mm
CA557-U16	41,4	20,4	66,6	30,0	44,5	65,0	87,2	28,6	8,3	9,9


BTC Chain No.	P	b1	G	F	W	h4	d4
	mm	mm	mm	mm	mm	mm	mm
38,4RK1	38,4	19,05	29,1	58,0	76,5	15,1	10,5
38.4VK1 F1	38,4	18,0	29,1	57,0	75,0	15,1	8,5
38.4V F 7	38,4	19,05	39,0	58,4	82,4	14,5	10,5
38.4VBK1	38,4	19,05	29,0	58,0	87,0	14,0	10,5
38.4VBF3	38,4	19,05	40,0	57,0	86,0	16,0	10,3
CA550VK18	41,4	19,05	22,6	54,0	71,6	12,7	8,5

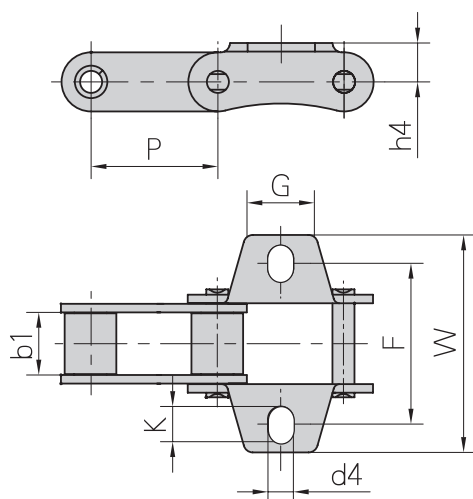
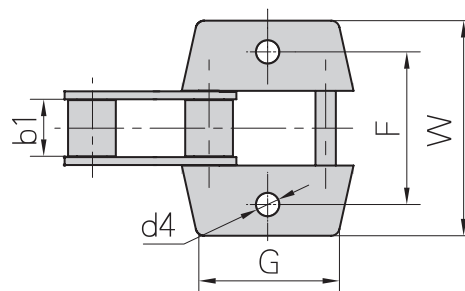
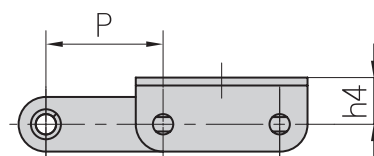



Agriculture chains type A and CA



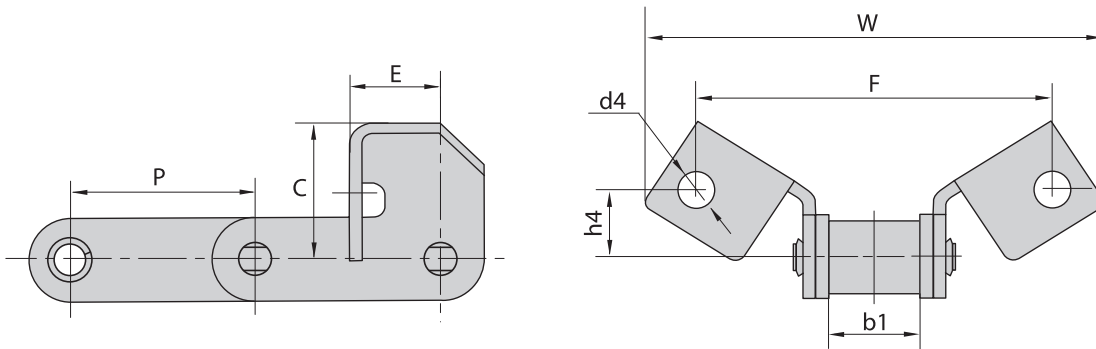
 Chain No.	P	b1	G	F	W	h4	d4	K
	mm	mm	mm	mm	mm	mm	mm	mm
CA550K1	41,4	19,81	22,0	52,5	76,2	12,7	8,3	10,0
CA550K1 F3	41,4	19,81	22,0	54,0	76,2	12,7	8,3	11,5
CA550F4K19F1	41,4	20,24	22,23	52,5	76,2	12,7	8,3	10,0

 Chain No.	P	b1	G	F	W	h4	d4
	mm	mm	mm	mm	mm	mm	mm
CA550K1 F4	41,4	19,81	48,5	54,0	76,2	16,5	8,5
CA550VK1 F3	41,4	19,05	56,0	54,0	75,54	16,5	8,5
CA620A1 F1	42,01	24,51	63,5	67,7	91,7	16,05	10,5

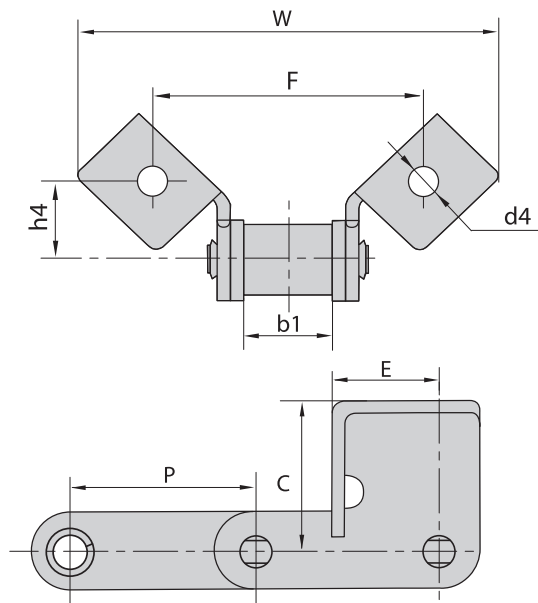


 Chain No.	P	b1	G	F	W	h4	d4	K
	mm	mm	mm	mm	mm	mm	mm	mm
CA550K19	41,4	19,81	22,0	50,8	71,0	12,7	8,3	11,0
CA550K19F1	41,4	19,81	22,0	54,0	71,0	12,7	8,3	11,0
CA550K19F2	41,4	19,81	25,4	50,8	71,0	12,7	8,4	11,5

Agriculture chains type CA



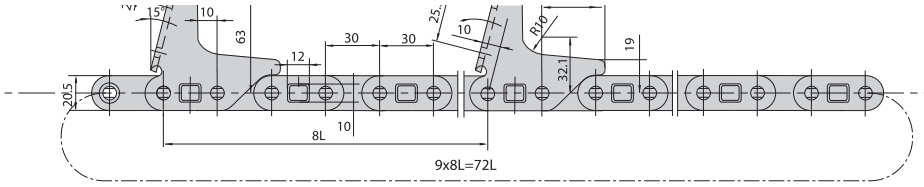
Chain No.	P	b1	E	C	F	W	h4	d4
	mm	mm	mm	mm	mm	mm	mm	mm
CA550F14	41,4	19,80	20,24	31,75	79,40	101,60	15,90	8,33
CA550F16	41,4	20,00	22,30	39,00	78,00	109,20	17,70	8,00
CA550VF14	41,4	19,05	20,24	31,75	79,40	101,60	15,90	8,33
CA550F5-F14	41,4	20,24	20,24	31,75	79,40	101,60	15,90	8,33
CA550F55F14SF	41,4	20,24	21,34	31,75	79,40	101,60	15,90	9,91
CA557F14	41,4	20,24	19,60	34,00	79,40	109,80	15,88	8,60
CA557SFD	41,4	20,24	24,30	50,10	79,40	109,80	28,60	8,30
CA557SDF1	41,4	20,24	24,30	50,10	79,40	109,80	28,60	9,53



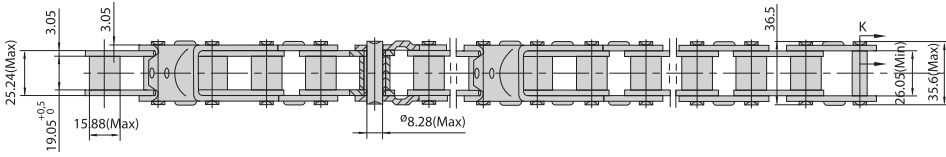
Chain No.	P	b1	E	C	F	W	h4	d4
	mm	mm	mm	mm	mm	mm	mm	mm
CA550F15	41,4	19,81	24,00	35,26	61,98	95,25	19,05	6,73
CA550F17	41,4	19,81	23,68	40,89	114,30	143,70	20,57	9,91
CA550F18	41,4	19,81	24,00	35,26	61,98	95,25	19,05	8,33
CA550F5-F17	41,4	20,24	23,68	40,89	114,30	143,70	20,57	9,91
CA550F5-G18	41,4	20,24	24,13	20,32	63,50	84,00	8,38	8,38
CA550VF13	41,4	19,05	25,40	59,60	79,35	135,45	28,60	8,74



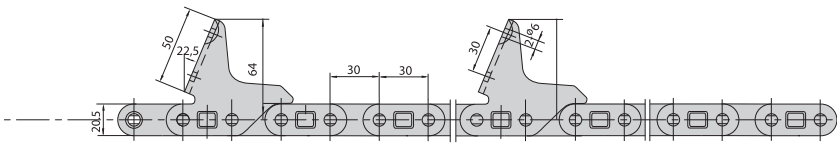
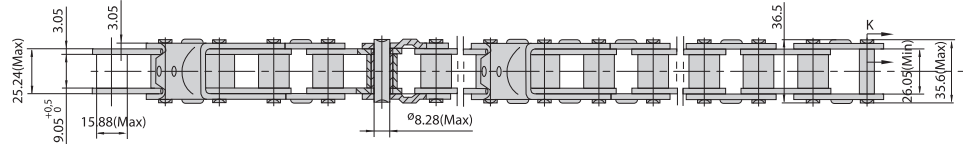
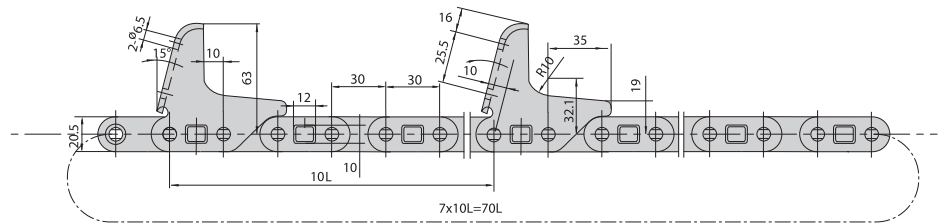
Agriculture chains type CA627 and CA550



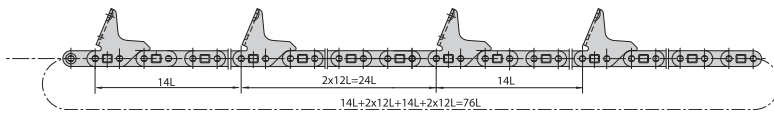
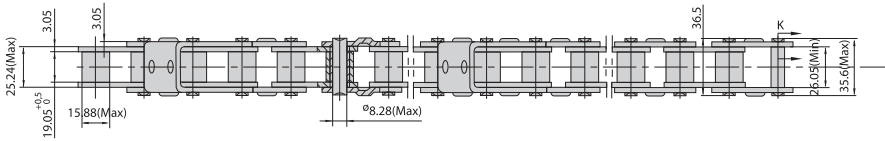
CA627x72-9A



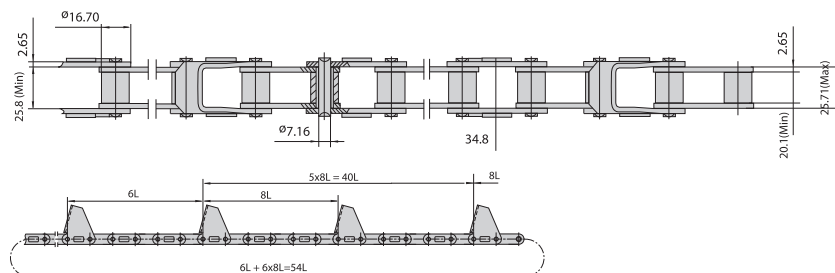
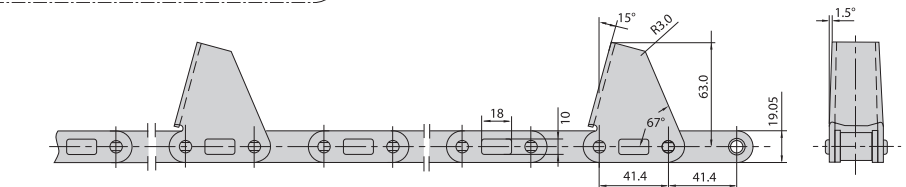
CA627x70-7A



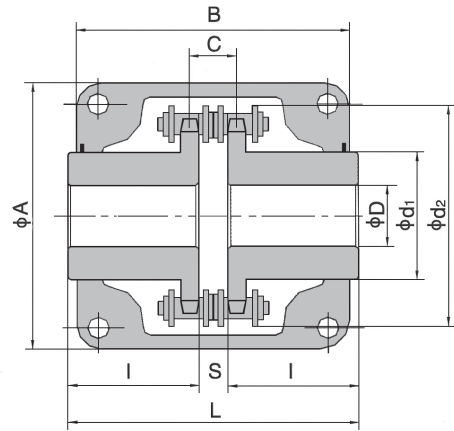
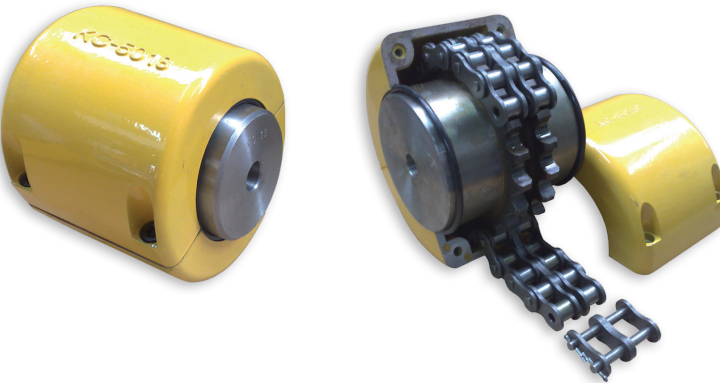
CA627x76-6A



CA550x54-7A



Chain couplings type RC



ROLLER CHAINS

Chain coupling No.	Chain No.	Bore Diameter		Dimension						Inertia $\times 10^3$ kgf-m ²	Approx Weight kg	Casing		
		Min	Max	L	I	S	d1	d2	C			Dimension		Approx
		mm	mm	mm	mm	mm	mm	mm	mm			A	B	Weight kg
RC 4012	40-2X12	12	22	79,4	36,0	7,4	35	61	14,4	1.020	0,8	77	72	0,3
RC 4014	40-2X14	12	28	79,4	36,0	7,4	43	69	14,4	1.924	1,1	84	75	0,4
RC 4016	40-2X16	14	32	87,4	40,0	7,4	50	77	14,4	3.285	1,4	92	75	0,4
RC 5014	50-2X14	16	35	99,7	45,0	9,7	53	86	18,1	6.010	2,2	101	85	0,5
RC 5016	50-2X16	16	40	99,7	45,0	9,7	60	96	18,1	9.720	2,7	111	85	0,6
RC 5018	50-2X18	20	45	99,7	45,0	9,7	70	106	18,1	15.420	3,8	122	85	0,8
RC 6018	60-2X18	20	56	123,5	56,0	11,5	85	128	22,8	40.210	6,2	142	106	1,2
RC 6020	60-2X20	20	60	123,5	56,0	11,5	98	140	22,8	62.870	7,8	158	105	1,6
RC 6022	60-2X22	20	71	123,5	56,0	11,5	110	152	22,8	93.450	10,4	168	117	1,8
RC 8018	80-2X18	20	80	141,2	63,0	15,2	110	170	29,3	142.030	12,7	190	129	2,5
RC 8020	80-2X20	20	90	145,2	65,0	15,2	120	186	29,3	204.900	16,0	210	137	2,9
RC 8022	80-2X22	20	100	157,2	71,0	15,2	140	202	29,3	341.170	20,2	226	137	3,6
RC 10020	100-2X20	25	110	178,8	80,0	18,8	160	233	35,8	646.290	33,0	281	153	4,6
RC 12018	120-2X18	35	125	202,7	90,0	22,7	170	256	45,4	1.075.710	47,0	307	181	6,2
RC 12022	120-2X22	35	140	222,7	100,0	22,7	210	304	45,4	2.454.500	72,0	357	181	8

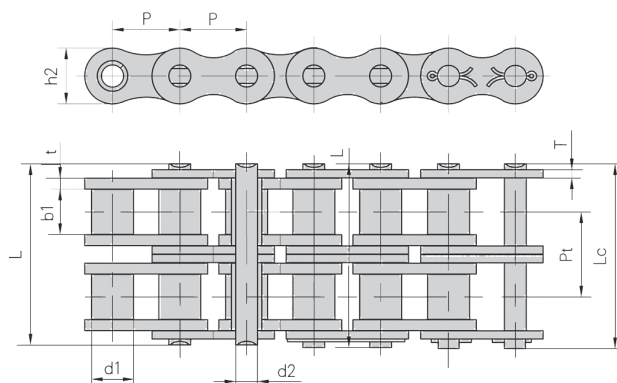
transmittable power (kW)

coupling type	max. mm	Speed of rotation (min ⁻¹)																							
		1	5	10	25	50	100	200	300	400	500	600	800	1000	1200	1500	1800	2000	2500	3000	3600	4000	4800	5200	6000
RC4 012	22	0,02	0,11	0,22	0,58	1,15	1,73	2,63	3,46	4,15	4,96	5,67	7,01	8,59	9,68	11,4	13,7	14,8	17,9	20,7	24,1	28,3	30,8	14,8	18,7
RC4 016	30	0,04	0,21	0,41	1,03	2,08	3,09	4,69	8,17	7,41	8,85	10,1	12,5	15,3	17,30	21,0	24,4	26,3	31,9	37,0	43,0	46,9	54,9		
RC 5016	38	0,08	0,39	0,78	1,95	3,91	5,86	8,92	11,2	14,1	16,0	19,2	23,8	28,9	32,9	39,9	48,4	50,0	60,8	70,4	81,6				
RC 5018	45	0,10	0,50	0,99	2,48	4,95	7,43	11,3	14,9	17,8	21,3	24,4	30,1	36,8	41,6	50,5	58,8	63,4	76,9	89,2					
RC 6018	55	0,18	0,93	1,87	4,67	9,33	14,0	21,3	28,0	33,6	40,1	45,9	56,8	69,1	78,4	95,2	111	120	145						
RC 6022	75	0,25	1,25	2,51	6,31	12,5	18,8	28,6	37,7	45,3	54,1	61,9	76,5	93,1	105	128	149	161	195						
RC 8018	78	0,41	2,07	4,14	10,9	20,7	31,0	47,2	62,1	74,5	89,0	101	126	153	174	211	246	265							
RC 8022	95	0,59	2,96	5,93	14,8	29,6	44,5	67,2	89,0	108	127	146	180	219	249	307	352	379							
RC 10020	110	0,93	4,00	9,33	23,3	46,6	70,0	106	140	168	200	229	283	345	392	476	554								
RC 12018	120	1,40	7,02	14,0	35,1	70,2	105	160	210	252	307	345	426	519	590	716									
RC 12022	150	1,81	9,02	18,1	45,3	90,7	136	206	272	326	390	446	551	671	762										

Reduction of transmittable power by different operating factors: (reduction factors)

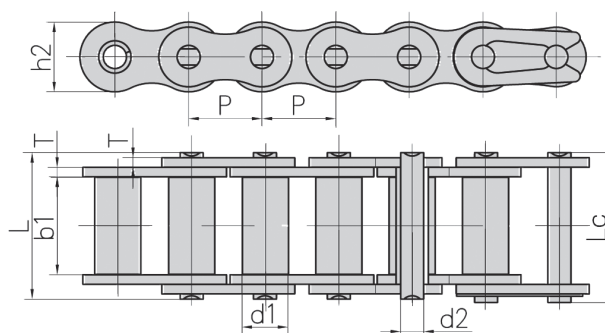
drive characteristics at 8 h/day		electric motor	steam- / gasoline motor	gas or diesel motor
A	constant load, one sense of rotation, low starting torque	1,0	1,5	2,0
B	alternating load, one sense of rotation, low starting torque	1,5	2,0	2,5

Coupling chains



Chain No.	Pitch	Roller diameter	Width between inner plates	Pin diameter	Pin length		Inner plate height	Plate thickness	Transverse pitch	Ultimate tensile strength	Average tensile strength	Weight per piece
	P	d1 max	b1 max	d2 max	L max	Lc max	h2 max	T max	Pt	F _B min.	F _{BA}	q
	mm	mm	mm	mm	mm	mm	mm	mm	mm	kN/LB	kN	kg/m
40-2X12	12,700	7,95	7,85	3,96	31,0	32,2	12,00	1,50	14,38	28,2/6409	35,9	0,16
40-2X14	12,700	7,95	7,85	3,96	31,0	32,2	12,00	1,50	14,38	28,2/6409	35,9	0,19
40-2X16	12,700	7,95	7,85	3,96	31,0	32,2	12,00	1,50	14,38	28,2/6409	35,9	0,21
50-2X14	15,875	10,16	9,40	5,08	38,9	40,4	15,09	2,03	18,11	44,4/10091	58,1	0,49
50-2X16	15,875	10,16	9,40	5,08	38,9	40,4	15,09	2,03	18,11	44,4/10091	58,1	0,56
50-2X18	15,875	10,16	9,40	5,08	38,9	40,4	15,09	2,03	18,11	44,4/10091	58,1	0,63
60-2X18	19,050	11,91	12,57	5,94	48,8	50,5	18,00	2,42	22,78	63,6/14455	82,1	1,00
60-2X20	19,050	11,91	12,57	5,94	48,8	50,5	18,00	2,42	22,78	63,6/14455	82,1	1,11
60-2X22	19,050	11,91	12,57	5,94	48,8	50,5	18,00	2,42	22,78	63,6/14455	82,1	1,22
80-2X18	25,400	15,88	15,75	7,92	62,7	64,3	24,00	3,25	29,29	113,4/25773	141,8	2,35
80-2X20	25,400	15,88	15,75	7,92	62,7	64,3	24,00	3,25	29,29	113,4/25773	141,8	2,62
80-2X22	25,400	15,88	15,75	7,92	62,7	64,3	24,00	3,25	29,29	113,4/25773	141,8	2,88
100-2X20	31,750	19,05	18,90	9,53	76,4	80,5	30,00	4,00	35,76	177,0/40227	219,4	4,05
100-2X22	31,750	19,05	18,90	9,53	76,4	80,5	30,00	4,00	35,76	177,0/40227	219,4	4,95
120-2X18	38,100	22,23	25,22	11,10	95,8	99,7	35,70	4,80	45,44	254,0/57727	314,9	8,14
120-2X22	38,100	22,23	25,22	11,10	95,8	99,7	35,70	4,80	45,44	254,0/57727	314,9	9,95

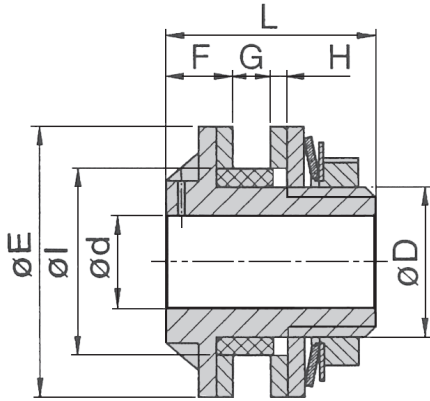
Special coupling chains



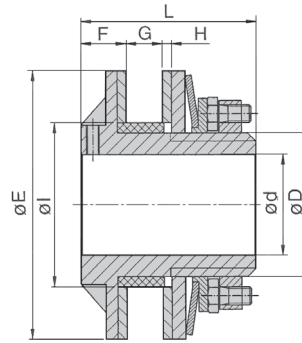
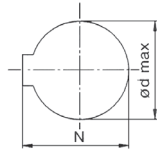
Chain No.	Pitch	Roller diameter	Width between inner plates	Pin diameter	Pin length		Inner plate height	Plate thickness	Ultimate tensile strength	Average tensile strength	Weight per meter
	P	d1 max	b1 min	d2 max	L max	Lc max	h2 max	T max	F _B min.	F _{BA}	q
	mm	mm	mm	mm	mm	mm	mm	mm	kN/LB	kN	kg/m
10AF13	15,875	10,16	16,31	5,08	27,6	29,1	15,09	2,03	22,20/5045	29,4	1,35
12AF2	19,050	11,91	19,10	5,94	32,6	34,4	18,00	2,42	31,80/7227	41,5	1,90
12AF6	19,050	11,91	18,80	5,94	31,9	33,5	18,00	2,42	31,80/7227	41,5	1,87
12AF26	19,050	11,91	19,36	5,94	31,9	33,5	18,00	2,42	31,80/7227	41,5	1,94
16AF25	25,400	15,88	25,58	7,92	42,4	43,9	24,00	3,25	56,70/12886	69,4	3,26

Torque limiter couplings

Series LC-1 / LC-2



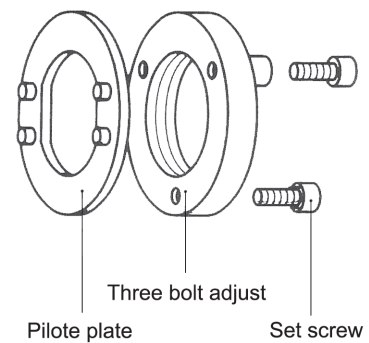
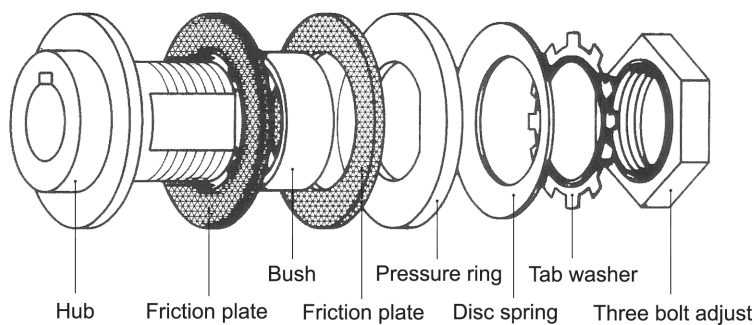
LC 40 - 45 - 65 - 85



LC 95 - 120 - 140 - 170



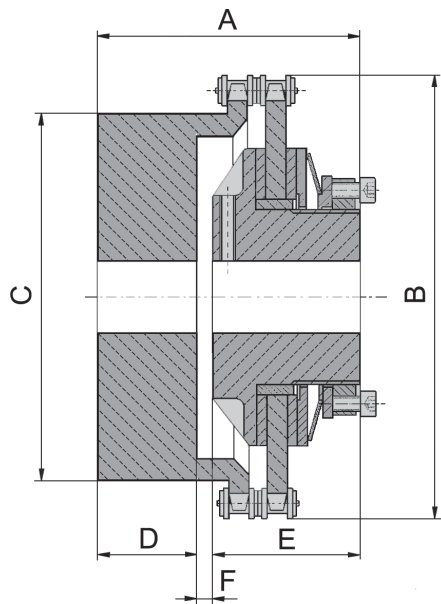
Type No. 	Dimensions								Bore Dia		Torque	N°	Sprocket	Approx
	ØE	ØI h8	Ød	ØD	F	G max	H	L	Ød max	N	max	Springs	dimensions	Weight
	mm	mm	mm	mm	mm	mm	mm	mm	mm	mm	Nm		Z/t	kg
LC 40-1	40,0	26,0	7,00	22,0	10,0	6,0	3,0	30,0	14,0	16,3	15	1	z=18-21 t=3/8"	0,20
LC 40-2	40,0	26,0	7,00	22,0	10,0	6,0	3,0	30,0	14,0	16,3	28	2	z=15 t=1/2"	0,20
LC 45-1	45,0	35,0	7,00	32,0	11,0	6,0	4,0	35,5	20,0	22,8	30	1	z=19-23 t=3/8"	0,35
LC 45-2	45,0	35,0	7,00	32,0	11,0	6,0	4,0	35,5	20,0	22,8	55	2	z=17 t=1/2"	0,35
LC 65-1	65,0	45,0	10,00	36,0	16,0	9,0	4,0	50,5	22,0	24,8	70	1	z=27 t=3/8"	0,50
LC 65-2	65,0	45,0	10,00	36,0	16,0	9,0	4,0	50,5	22,0	24,8	120	2	z=21 t=1/2"	0,50
LC 85-1	85,0	52,0	15,00	42,0	17,0	11,0	4,0	55,5	25,0	28,3	130	1	z=25 t=1/2"	1,00
LC 85-2	85,0	52,0	15,00	42,0	17,0	11,0	4,0	55,5	25,0	28,3	240	2	z=21 t=5/8"	1,00
LC 95-1	95,0	60,0	15,00	52,0	18,0	11,0	4,0	67,0	35,0	38,3	190	1	z=25 t=5/8"	1,30
LC 95-2	95,0	60,0	15,00	52,0	18,0	11,0	4,0	67,0	35,0	38,3	340	2	z=19 t=3/4"	1,30
LC 120-1	120,0	73,0	20,00	64,0	20,0	16,0	4,0	78,0	45,0	48,8	350	1	z=25 t=3/4"	2,80
LC 120-2	120,0	73,0	20,00	64,0	20,0	16,0	4,0	78,0	45,0	48,8	650	2	z=21 t=1"	2,80
LC 140-1	140,0	90,0	20,00	85,0	23,0	17,0	4,0	86,5	60,0	64,4	650	1	z=30 t=3/4"	5,20
LC 140-2	140,0	90,0	20,00	85,0	23,0	17,0	4,0	86,5	60,0	64,4	1200	2	z=21 t=1"	5,20
LC 170-1	170,0	100,0	28,00	90,0	27,5	18,5	4,5	95,0	65,0	69,4	1000	1	z=25 t=1"	6,60
LC 170-2	170,0	100,0	28,00	90,0	27,5	18,5	4,5	95,0	65,0	69,4	1800	2	z=22 t=1.1/4"	6,60



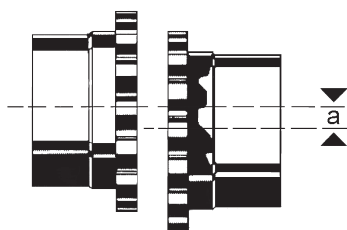


Torque limiter couplings

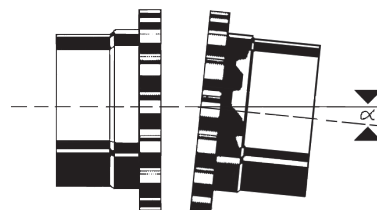
Series FT-1C / FT-2C



Type No.	Max. error in alignment		Torque Nm		Max. bore dia.		Pilot bore	Sprocket dimensions	Dimensions (mm)						Weight kg
	Max. screw	Max. angular offset	Min.	Max.	Sliding hub	Sprocket hub	Sliding and sprocket hub		A	B	C	D	E	F	
FT 120-1C	0,15	0,50°	0,5	2,5	8	25	6	Z=19 t=3/8"	52,5	66,2	40,0	20,0	31,0	1,5	0,28
FT 120-2C	0,15	0,50°	1	5	8	25	6	Z=19 t=3/8"	52,5	66,2	40,0	20,0	31,0	1,5	0,28
FT 180-1C	0,20	0,50°	2	10	20	35	8	Z=22 t=3/8"	58,0	75,2	55,0	23,0	33,0	2,0	0,85
FT 180-2C	0,20	0,50°	4	20	20	35	8	Z=22 t=3/8"	58,0	75,2	55,0	23,0	33,0	2,0	0,85
FT 250-1C	0,30	0,75°	7	28	22	49	10	Z=22 t=1/2"	76,9	100,8	75,5	22,3	48,0	6,6	1,80
FT 205-2C	0,30	0,75°	14	56	22	49	10	Z=22 t=1/2"	76,9	100,8	75,5	22,3	48,0	6,6	1,80
FT 350-1C	0,35	0,75°	20	75	25	58	18	Z=24 t=5/8"	103,9	136,1	104,5	34,0	62,0	7,9	4,90
FT 350-2C	0,35	0,75°	40	150	25	58	18	Z=24 t=5/8"	103,9	136,1	104,5	34,0	62,0	7,9	4,90
FT 500-1C	0,40	0,75°	50	210	41	72	22	Z=28 t=3/4"	121,0	185,9	144,3	39,0	76,0	6,0	11,80
FT 500-2C	0,40	0,75°	100	420	41	72	22	Z=28 t=3/4"	121,0	185,9	144,3	39,0	76,0	6,0	11,80
FT 700-1C	0,50	0,75°	115	570	64	104	24	Z=28 t= 1"	168,6	247,3	199,5	56,0	98,0	14,6	26,70
FT 700-2C	0,50	0,75°	230	1140	64	104	24	Z=28 t= 1"	168,6	247,3	199,5	56,0	98,0	14,6	26,70



max. shaft misalignment (screw)

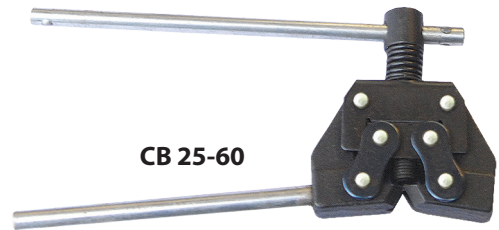


max. angular offset $\alpha \leq 1^\circ$



Chain tools

Chain breakers			
Type	Pitch	For roller chains	
	mm - inch	DIN	ANSI
CB 25-60	6,35 - 19,05 1/4" - 3/4"	06B-08B-10B 12B	25-35-40 50-60
CB 60-100	19,05 - 31,75 3/4" - 1.1/4"	12B-16B-20B	60-80-100
CB 100-160	31,75 - 50,80 1.1/4" - 2"	20B-24B-28B 32B	100-120-140 160

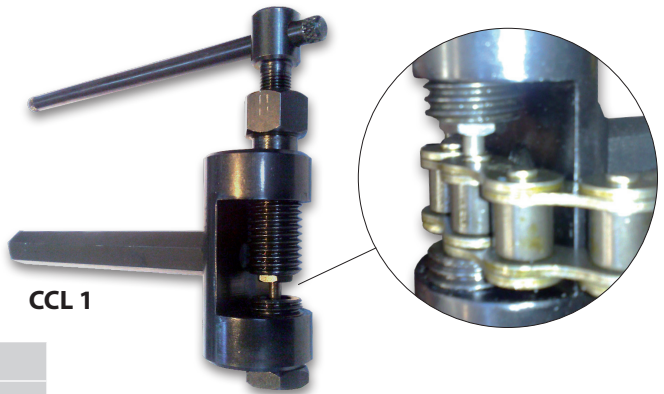


CB 25-60

Chain cutters		
Type	For roller chains	
	DIN	ANSI
CCM	04-1 - 05B-1	25-1 - 35-1
CCS	06B-1 - 06B-2 08B-1	35-1 - 35-2 40-1
CCL 1	10B-1 - 12B-1 16B-1 - 20B-1	50-1 - 60-1 80-1 - 100-1
CCL 2	08B-2 - 10B-2 12B-2	40-1 - 50-2 60-2



CB-60-100



CCL 1

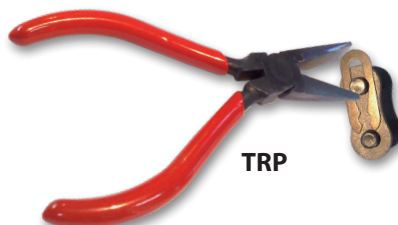
Chain tensioners			
Type	Pitch	For roller chains	
	mm - inch	DIN	ANSI
CT 25-60	6,35 - 19,05 1/4" - 3/4"	06B-08B-10B 12B	25-35-40 50-60
CT 60-100	19,05 - 31,75 3/4" - 1.1/4"	12B-16B-20B	60-80-100
CT 100-160	31,75 - 50,80 1.1/4" - 2"	20B-24B-28B 32B	100-120-140 160



CT 25-60



Tool for removing and placing spring clips		
Type	For roller chains	
	DIN	ANSI
TRP	06B - 16B	35 - 80



TRP



Lubrication system for roller- and conveyor chains

Conveyors Lubrication Mono and Bi Rail Systems

This system is designed to lubricate the rollers of conveyors while they are in operation and delivers a metered amount of lubricant into moving bearing fittings. These custom engineered lubrication systems are perfect for applications even in harsh operating conditions. Each conveyor requires one unit for the left side and for the right.

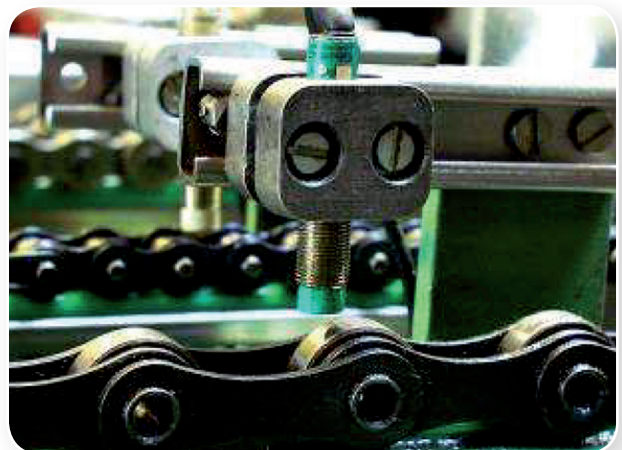
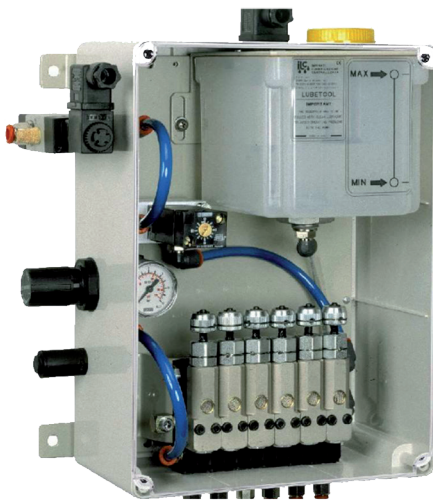
The sequence of the lubrication events (each roller or every other roller, ect.) depends on the number of rollers, the speed of the conveyor or on the distance between the rollers.

Benefits

- Metered application of lubricant.
- Works on moving parts which consuming time to lubricate manually.
- Lubricates while the conveyor is in normal operation - no lost production time.
- Lubrication even under harsh operation condition.

Functioning

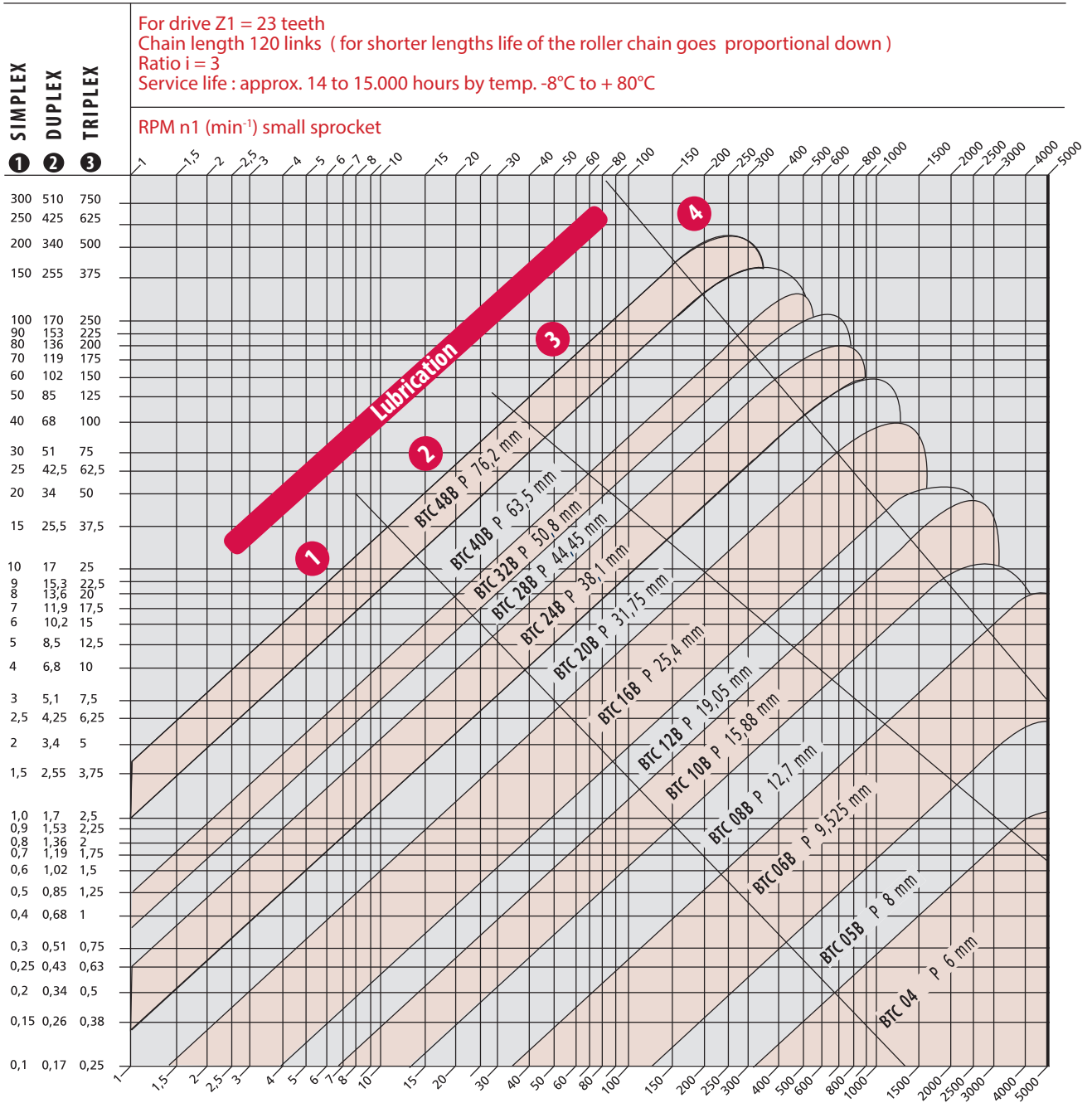
System if formed by a reservoir which sends oil, by gravity, to the dispensing rooms of the pneumatic micropumps. Necessary air for the functioning of the pumps and the oil spray is sent on the passage of bearings that power pneumatic valves with mechanical control or inductive sensors, suitably positioned along railroad.





Technical information

P_D (kW) Power diagram for roller chains DIN 8187 - European standard



Quality steel roller chain

Stainless steel roller chain

$$P_D = P \cdot f_G$$

$$P_D = P \cdot f_{SS}$$

$$f_G = f_y \cdot f_z \cdot f_j \cdot f_a \cdot f_l$$

$$f_{SS} = f_w \cdot f_t \cdot f_v \cdot f_s$$

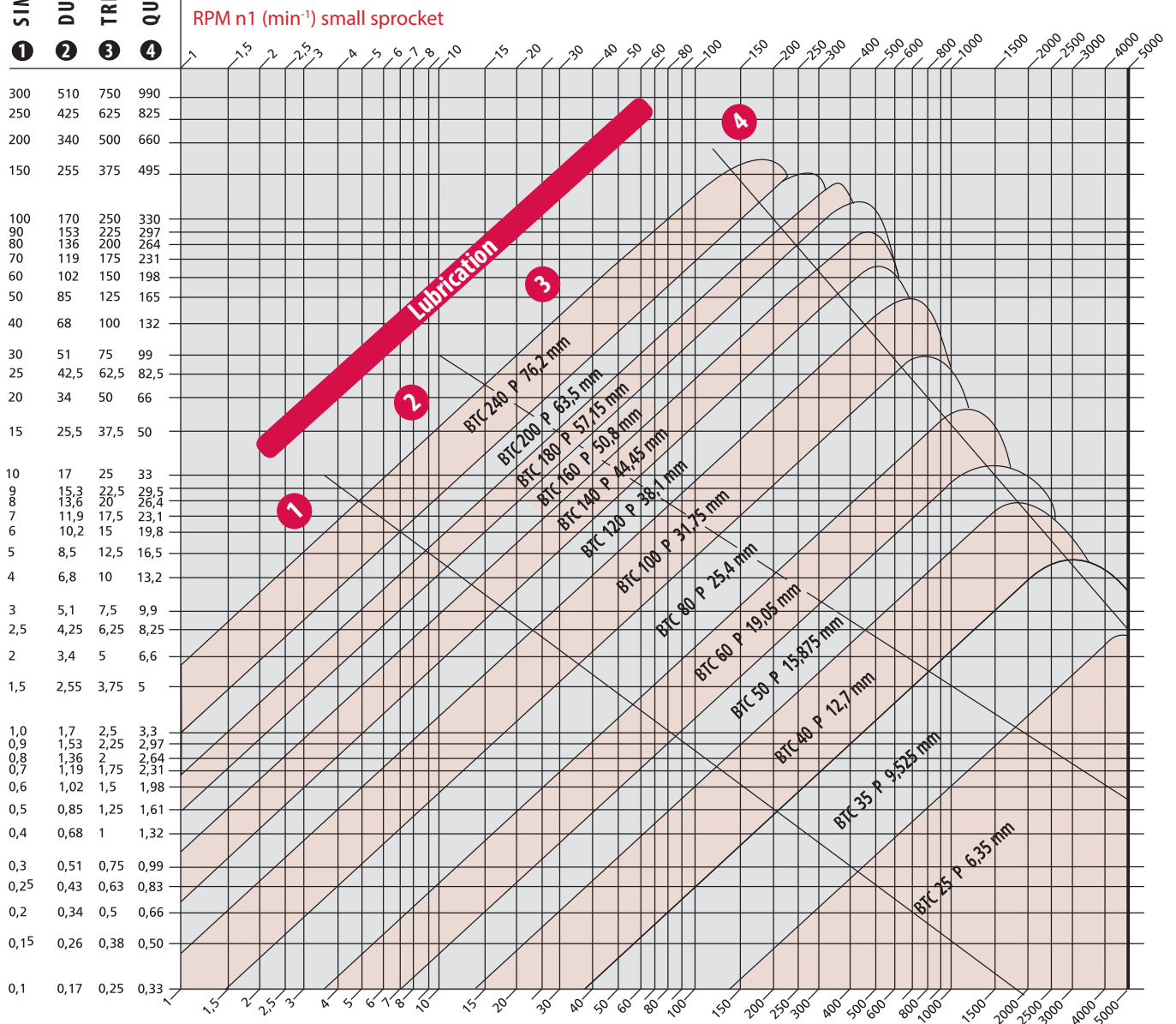


Technical information

ROLLER CHAINS

P_D (kW) Power diagram for roller chains DIN 8188 - American standard

For drive Z1 = 23 teeth
 Chain length 120 links (for shorter lengths life of the roller chain goes proportional down)
 Ratio i = 3
 Service life : approx. 14 to 15.000 hours by temp. -8°C to + 80°C



Quality steel roller chain

Stainless steel roller chain

$$P_D = P \cdot f_g$$

$$P_D = P \cdot f_{SS}$$

$$f_g = f_y \cdot f_z \cdot f_i \cdot f_a \cdot f_l$$

$$f_{SS} = f_w \cdot f_t \cdot f_v \cdot f_s$$

Calculation

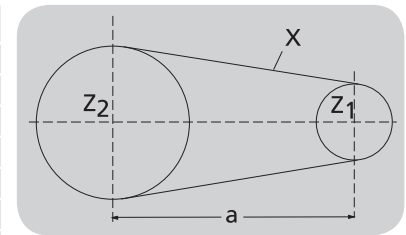
Calculation of the number of links in a given length of chain X

$$z_1 = z_2 \quad x = \frac{2a}{p} + z$$

$$z_1 \neq z_2 \quad x = 2 \frac{a}{p} + \frac{z_1 + z_2}{2} + \frac{C}{a}$$

Values for C $c = \frac{(z^2 - z_1^2)}{2p}$

$z_2 - z_1$	C	$z_2 - z_1$	C	$z_2 - z_1$	C	$z_2 - z_1$	C	$z_2 - z_1$	C
1	0,0253	21	11,171	41	42,580	61	94,254	81	166,191
2	0,1013	22	12,260	42	44,683	62	97,370	82	170,320
3	0,2280	23	13,400	43	46,836	63	100,536	83	174,450
4	0,4053	24	14,590	44	49,040	64	103,753	84	178,730
5	0,6333	25	15,831	45	51,294	65	107,021	85	183,011
6	0,912	26	17,123	46	53,599	66	110,339	86	187,342
7	1,241	27	18,466	47	55,955	67	113,708	87	191,724
8	1,621	28	19,859	48	58,361	68	117,128	88	196,157
9	2,052	29	21,303	49	60,818	69	120,598	89	200,640
10	2,533	30	22,797	50	63,326	70	124,119	90	205,174
11	3,065	31	24,342	51	65,884	71	127,690	91	209,759
12	3,648	32	25,938	52	68,493	72	131,313	92	214,395
13	4,281	33	27,585	53	71,153	73	134,986	93	219,081
14	4,965	34	29,282	54	73,863	74	138,709	94	223,817
15	5,699	35	31,030	55	76,624	75	142,483	95	228,605
16	6,485	36	32,828	56	79,436	76	146,308	96	233,443
17	7,320	37	34,677	57	82,298	77	150,184	97	238,322
18	8,207	38	36,577	58	85,211	78	154,110	98	243,271
19	9,144	39	38,527	59	88,175	79	158,087	99	248,261
20	10,132	40	40,529	60	91,189	80	162,115	100	253,302



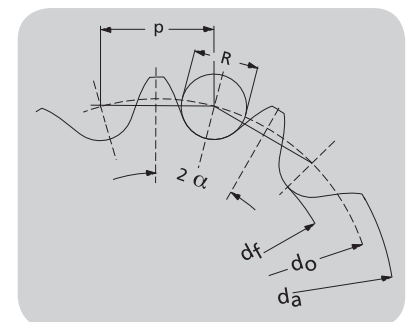
The calculated number of pitches should be rounded up to a whole number of even pitches. Avoid odd numbers of pitches because this involves the use of an offset link which is undesirable. Remember, offset links offer only 80 % of the breaking load and 60 % of the fatigue load.

Pitch circle diameter calculation (pcd)

$$d_o = \frac{P}{\sin \alpha} = \frac{P}{\sin \frac{180^\circ}{z}} = p n$$

Values for n $d_o = p n$

z	n	z	n	z	n	z	n	z	n	z	n	z	n
6	2,0000	21	6,7095	36	11,4737	51	16,2441	66	21,0164	81	25,7896	96	30,5632
7	2,3048	22	7,0267	37	11,7916	52	16,5622	67	21,3346	82	26,1078	97	30,8815
8	2,6131	23	7,3439	38	12,1096	53	16,8803	68	21,6528	83	26,4260	98	31,1997
9	2,9238	24	7,6613	39	12,4275	54	17,1984	69	21,9710	84	26,7443	99	31,5180
10	3,2361	25	7,9787	40	12,7455	55	17,5166	70	22,2892	85	27,0625	100	31,8362
11	3,5495	26	8,2962	41	13,0635	56	17,8347	71	22,6074	86	27,3808	101	32,1545
12	3,8637	27	8,6138	42	13,3815	57	18,1529	72	22,9256	87	27,6990	102	32,4727
13	4,1786	28	8,9314	43	13,6995	58	18,4710	73	23,2438	88	28,0172	103	32,7910
14	4,4940	29	9,2491	44	14,0176	59	18,7892	74	23,5620	89	28,3355	104	33,1093
15	4,8097	30	9,5668	45	14,3356	60	19,1073	75	23,8802	90	28,6537	105	33,4275
16	5,1258	31	9,8845	46	14,6537	61	19,4255	76	24,1984	91	28,9720	106	33,7458
17	5,4422	32	10,2023	47	14,9717	62	19,7437	77	24,5167	92	29,2902	107	34,0641
18	5,7588	33	10,5201	48	15,2898	63	20,0619	78	24,8349	93	29,6084	108	34,3823
19	6,0755	34	10,8380	49	15,6079	64	20,3800	79	25,1531	94	29,9267	109	34,7006
20	6,3925	35	11,1558	50	15,9260	65	20,6982	80	25,4713	95	30,2449	110	35,0188



Outside diameter d_a

$$\begin{aligned} d_a \quad Z 6 - 12 &= d_o + 0.6 R \\ Z 13 - 25 &= d_o + 0.7 R \\ Z > 25 &= d_o + 0.8 R \end{aligned}$$

Bottom diameter d_f

$$d_f = d_o - R$$

Tolerance h11

Width of teeth for single strand chain B_1

$$B_1 = W \cdot 0.9$$



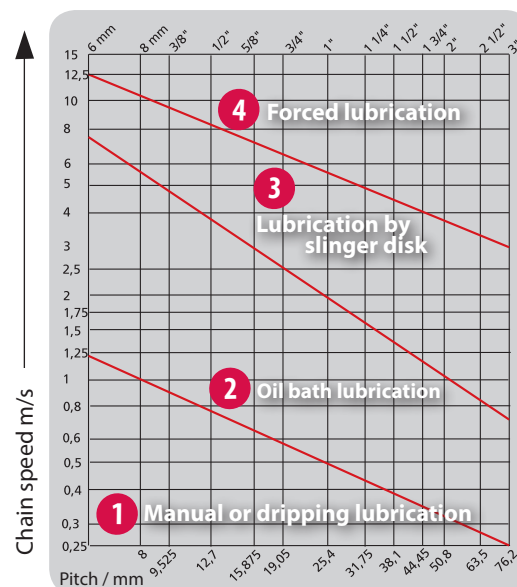
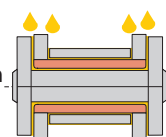
Formules and parameters

Description	Symbol	Unit	Basic equations
rpm	n	min ⁻¹	$n = \frac{60000 \cdot v}{d_o \cdot p} \sim \frac{60000 \cdot v_d}{z \cdot p}$
Total Service correction factor	f _G		$f_G = f_y \cdot f_z \cdot f_i \cdot f_a \cdot f_l$
Torque	M	Nm	$M = \frac{9550P}{n} = \frac{F \cdot d_o}{2000}$
Power	P	kW	$P = \frac{F \cdot v}{1000} = \frac{M \cdot n}{9550}$
Power diagram	P _D	kW	$P_D = P \cdot f_G$
Chain load	F	N	$F = \frac{1000 \cdot P}{v} = \frac{2000 \cdot M}{d_o}$
Tensile strenght (Breaking load)	F _B	N/LB	
Average tensile strength	F _{BA}	N/LB	
Bearing pressure	p _r	N/mm ²	$p_r = \frac{F_G}{f}$
Admissible bearing pressure	p _{r adm}	N/mm ²	$p_{r zul} = \frac{p_{r zul Diagram}}{f_i}$
Speed	v	m/s	$v = \frac{1000 \cdot P}{F} = \frac{d_o \cdot p \cdot n}{60000} \sim \frac{z \cdot p \cdot n}{60000}$
Pitch diameter	d _o	mm	$d_o = \frac{p}{\sin \frac{180^\circ}{z}} \sim \frac{z \cdot p}{p}$
Pitch	p	mm	
Drive ratio	i		$i = \frac{n^1}{n^2} = \frac{z^2}{z^1}$
Centre distance	a	mm	
Number of teeth	z		
Number of links	X		
Dynamic chain load	F _{dyn}	N	$F_{dyn} = F \cdot f_y$
Centrifugal force	F _F	N	$F_F = q \cdot v^2$
Total load	F _G	N	$F_G = F_{dyn} + F_F$
Chain weight	q	kg/m	
Service factor	f _y		
Transmission ratio	f _i		
Centre distance factor	f _a		
Sprocket size factor	f _z		
Lubrication factor	f _l		
Fatigue strength	F _D	N	
Rated working load	F _{adm}	N	
Safety factor (static)	S _{stat}		$S_{stat} = \frac{F_B}{F_G}$
Safety factor (dynamic)	S _{dyn}		$S_{dyn} = \frac{F_D}{F_G}$

1 kW = 1,34 HP 1 HP = 0,746 kW 1N = 0,102 kg 1kg = 9,8 N

Lubrication

Recommendations for lubrication



Correct lubrication depends on the working environment, temperature, chain speed and the type of lubrication. For most applications in the temperature range of - 8 to + 80 °C a mineral or synthetic, non-detergent, multigrade SAE 20/50 oil is recommended. Grease lubrication is generally considered unsuitable for roller chains.

f₁ Relevant lubrication factor

Chain speed = v m/s	< 4	4-7	> 7
Lubrication			
Good	1	1	1
Insufficient, non-polluted	1,4	2,5	N
Insufficient, contaminated	2,5	4	N
Not lubricated	5	N	N

f_i Transmission ratio factor

i	1:1	2:1	3:1	5:1	7:1
f _i	1,22	1,08	1	0,92	0,86

f_a Transmission ratio factor

a/p	20	40	60	80	160	a = in number of links
f _a	1,18	1	0,91	0,87	0,69	

Centre distances recommended

Pitch	inch	3/8"	1/2"	5/8"	3/4"	1"	1 1/4"
	mm	9,525	12,7	15,88	19,05	25,4	31,75
a	mm	450	600	750	900	1000	1200
Pitch	inch	1 1/2"	1 3/4"	2"	2 1/2"	3"	
	mm	38,1	44,45	50,8	63,5	76,2	
a	mm	1350	1500	1700	1800	2000	



Murtfeldt
Plastics

MURTFELDT



SOLUTIONS IN PLASTICS

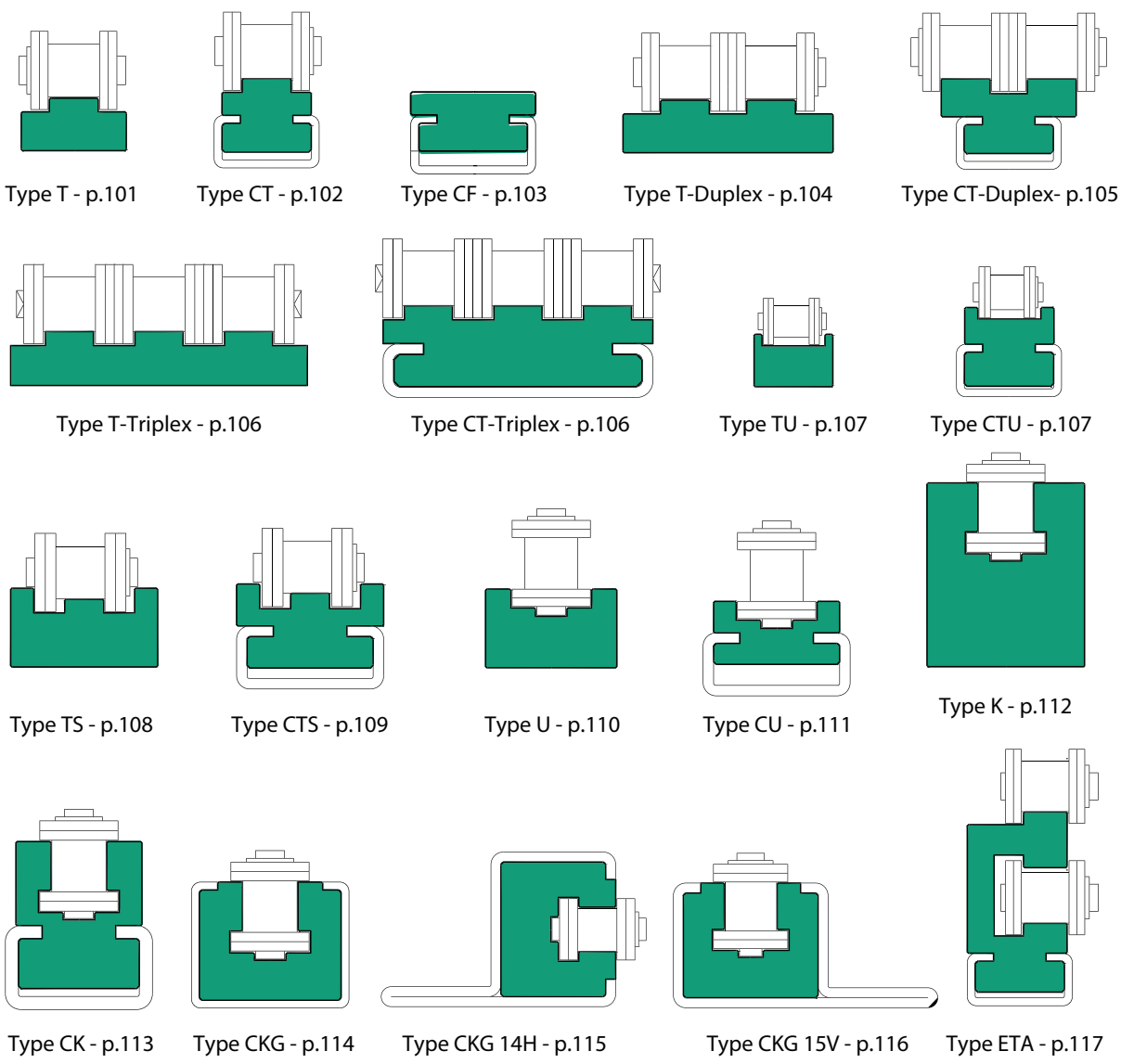
CUSTOM FINISHED PRODUCTS | SEMI-FINISHED PRODUCTS | CHAIN GUIDES | CHAIN TENSIONERS

OVERVIEW OF CHAIN GUIDES

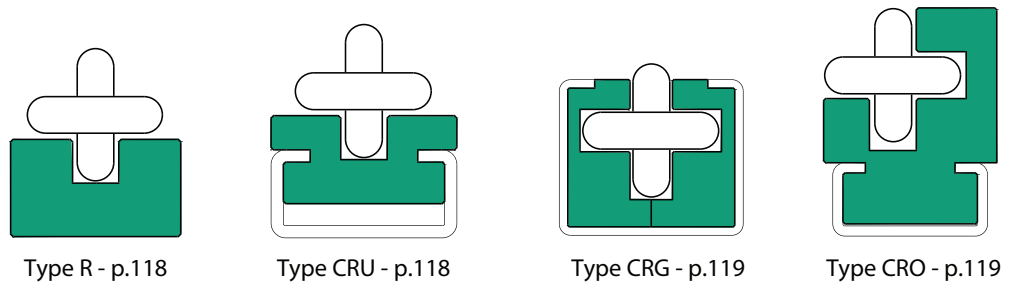
For roller chains (DIN 8187) and round link chains (DIN 766/764)

Murtfeldt offers an extensive standard range of guides for roller chains. We have a total of 20 different types of guide for roller chains and four for round link chains. You can also choose between our high-quality Original Material "S[®] Green and our more economical Material "S[®] 1000 Green.

Chain guides for roller chains as per DIN 8187 (DIN 8188 catalogue on request)



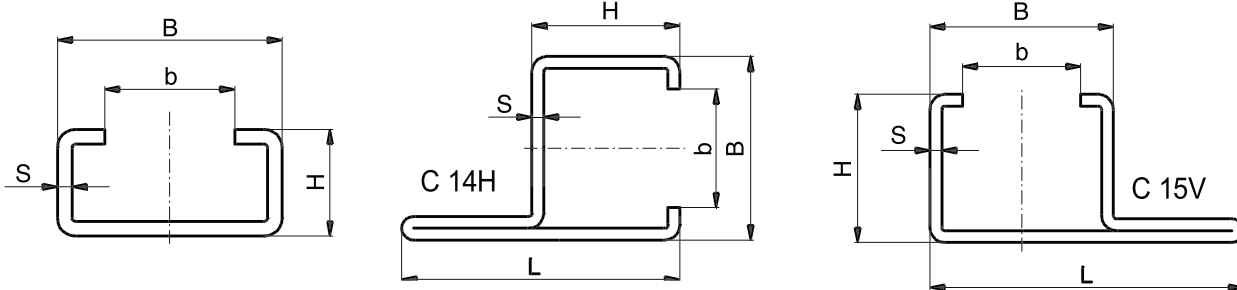
Chain guides for round link chains as per DIN 766/764



SELECTION TABLE

Galvanized, nongalvanized or stainless steel C profiles

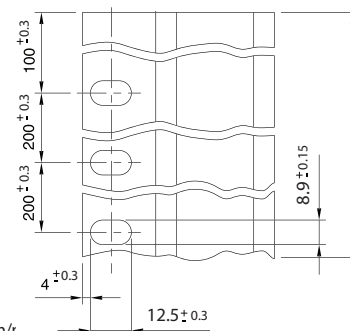
Profile C1 - C13



Profile No.	B	H	b	s	L	Length	Article no. galvanized	Article no. V2A	Article no. nongalvanized
C1	24	5.2	17.5	1	-	2000	351 020 001	351 020 101	
						3000	351 030 001	351 030 101	
						6000	351 060 001	351 060 101	
C3	20	10	10	1.5	-	2000	351 020 003	351 020 103	
						3000	351 030 003	351 030 103	
						6000	351 060 003	351 060 103	351 060 203
C4	50	10	35	2	-	2000	351 020 004	351 020 104	
						6000	351 060 004	351 060 104	
C5	28	12	14	2	-	2000	351 020 005	351 020 105	
						3000	351 030 005	351 030 105	
						6000	351 060 005	351 060 105	351 060 205
C6	80	10	65	2	-	2000	351 020 006	351 020 106	
						6000	351 060 006	351 060 106	
C7	28	16	14	2.5	-	2000	351 020 007	351 020 107	
						6000	351 060 007	351 060 107	351 060 207
C9	38	18	22	2.5	-	2000	351 020 009	351 020 109	
						3000	351 030 009	351 030 109	
						6000	351 060 009	351 060 109	351 060 209
C10	30	24	20	1.5	-	2000	351 020 010	351 020 110	
						6000	351 060 010	351 060 110	351 060 210
C11	45	40	31	2	-	2000	351 020 011	351 020 111	
						6000	351 060 011	351 060 111	351 060 211
C12	60	20	36	2.5	-	2000	351 020 012	351 020 112	
						6000	351 060 012	351 060 112	
C13	65	55	40	3	-	2000	351 020 013	351 020 113	
						6000	351 060 013	351 060 113	
						6000	351 060 013	351 060 113	
C14 H	31	25	20	2	47	2000	351 020 014	351 020 114	
						3000	351 030 014	351 030 114	
						6000	351 060 014	351 060 114	
C15 V	31	25	20	2	53	2000	351 020 015	351 020 115	
						3000	351 030 015	351 030 115	
						6000	351 060 015	351 060 115	

Dimensions in mm

C14H and C15V steel profile with punch hole in mounting



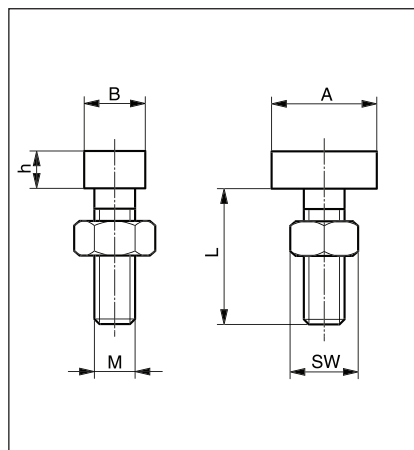
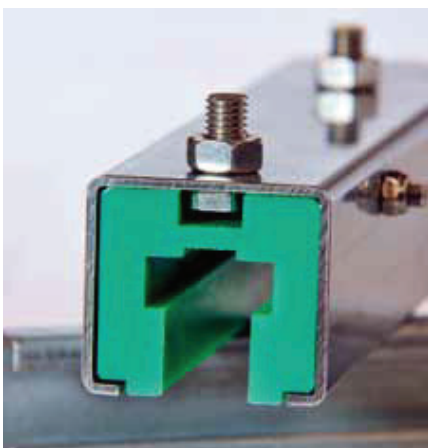
Hole spacing aggregate tolerance: Max. 0.75mm/r

T-HEAD BOLTS

Galvanized/stainless steel

Thread (M x L)	Suitable for these steel C profiles	A in mm	B in mm	h in mm	Material	Article no.	Type
M6x20	C1, C3, C4, C5, C6, C7, C9, C10, C11, C12, C13	18.0	9.5	4	galvanised	352010001	-
M6x20	C1, C4, C5, C6, C7, C9, C12	15.5	9.0	6	galvanised	352010005	20/12
M6x30	C1, C4, C5, C6, C7, C9, C12	15.5	9.0	6	galvanised	352010003	20/12
M6x40	C1, C4, C5, C6, C7, C9, C12	15.5	9.0	6	galvanised	352010004	20/12
M8x20	C4, C6, C7, C9, C12	15.5	9.0	6	galvanised	352010008	20/12
M8x30	C4, C6, C7, C9, C12	15.5	9.0	6	galvanised	352010006	20/12
M8x40	C4, C6, C7, C9, C12	15.5	9.0	6	galvanised	352010007	20/12
M8x20	C4, C6, C7, C9, C12	23.0	11.0	6	galvanised	352010011	28/15
M8x30	C4, C6, C7, C9, C12	23.0	11.0	6	galvanised	352010019	28/15
M8x40	C4, C6, C7, C9, C12	23.0	11.0	6	galvanised	352010014	28/15
M10x20	C4, C6, C7, C9, C11, C12, C13	23.0	11.0	7	galvanised	352010020	28/15
M10x30	C4, C6, C7, C9, C11, C12, C13	23.0	11.0	7	galvanised	352010012	28/15
M10x40	C4, C6, C7, C9, C11, C12, C13	23.0	11.0	7	galvanised	352010013	28/15
M10x20	C6, C9, C12	31.0	13.5	9	galvanised	352010015	38/17
M10x30	C6, C9, C12	31.0	13.5	9	galvanised	352010016	38/17
M12x40	C6, C11, C12, C13	31.0	13.5	9	galvanised	352010017	38/17
M6x20	C1, C3, C4, C5, C6, C7, C9, C10, C11, C12, C13	18.0	9.5	4	V2A	352010002	-
M8x20	C4, C6, C7, C9, C12	15.5	9.0	6	V2A	352010025	20/12
M8x30	C4, C6, C7, C9, C12	15.5	9.0	6	V2A	352010026	20/12

Please speak with our application technology department to determine the best T-head screw for your needs. We can provide the appropriate models including nuts for one-track and two-track connections.





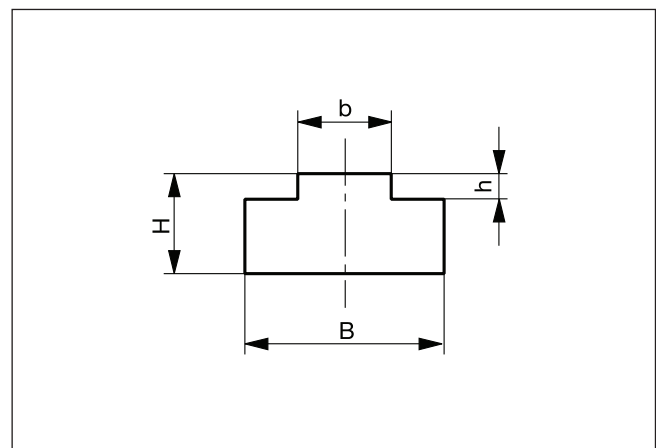
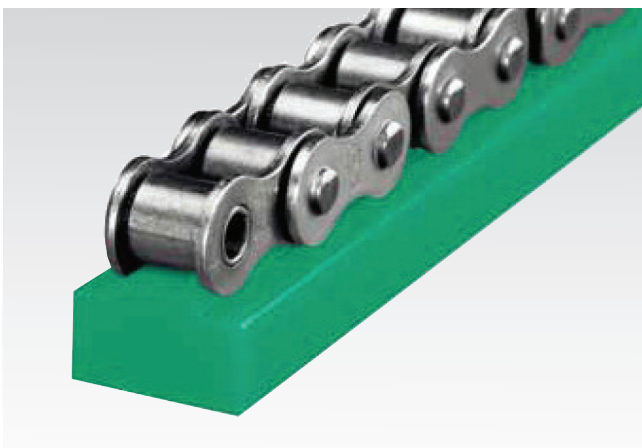
Chain Guides for Roller Chains as per DIN 8187

TYPE T



DIN 8187 chain no	Chain dimensions in inches	B	H	b	h	Article no.
06B-1	3/8" x 7/32"	15	10	5,4	1,5	221 010 002
083-1	1/2" x 3/16"	15	10	4,5	1,5	221 010 003
085-1	1/2" x 1/4"	20	10	6,2	2,2	221 010 004
08B-1	1/2" x 5/16"	20	10	7,4	2,2	221 010 005
08B-1	1/2" x 5/16"	20	15	7,4	2,2	221 010 006
08B-1	1/2" x 5/16"	20	20	7,4	2,2	221 010 007
08B-1	1/2" x 5/16"	20	30	7,4	2,2	221 010 008
-	5/8" x 1/4"	20	10	6,2	2,6	221 010 009
10B-1	5/8" x 3/8"	20	10	9,3	2,6	221 010 010
10B-1	5/8" x 3/8"	20	15	9,3	2,6	221 010 011
10B-1	5/8" x 3/8"	20	20	9,3	2,6	221 010 012
10B-1	5/8" x 3/8"	20	30	9,3	2,6	221 010 013
12B-1	3/4" x 7/16"	25	10	11,3	2,4	221 010 014
12B-1	3/4" x 7/16"	25	15	11,3	2,4	221 010 015
12B-1	3/4" x 7/16"	25	20	11,3	2,4	221 010 016
12B-1	3/4" x 7/16"	25	30	11,3	2,4	221 010 017
16B-1	1" x 17 mm	40	15	16,0	3,5	221 010 018
16B-1	1" x 17 mm	40	20	16,0	3,5	221 010 019
16B-1	1" x 17 mm	40	30	16,0	3,5	221 010 020
20B-1	1 1/4" x 3/4"	45	15	18,0	4,2	221 010 021
24B-1	1 1/2" x 1"	60	15	24,0	5,5	221 010 022
28B-1	1 3/4" x 31 mm	75	20	30,0	6,8	221 010 023
32B-1	2" x 31 mm	80	20	30,0	7,7	221 010 024

Dimensions in mm - Separate ASA/JIS product catalogue available.





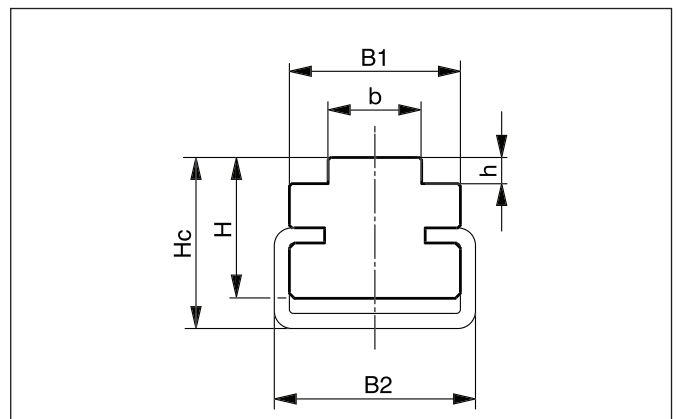
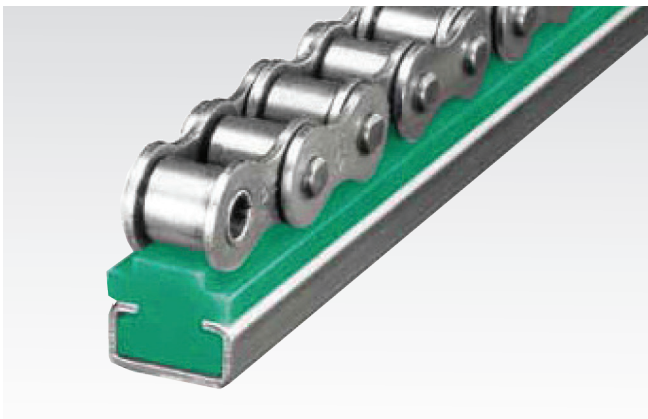
TYPE CT

MURTFELDT



DIN8187 chain no.	Chain dimensions in inches	C profile type	B1	B2	H	Hc	b	h	Article no.
06B-1	3/8" x 7/32"		17		14	17	5.4	1.5	221 210 015
		C3		20					351 020 003
083-1	1/2" x 3/16"		17		14	17	4.5	1.5	221 210 002
		C3		20					351 020 003
085-1	1/2" x 1/4"		17		14	17	6.2	2.2	221 210 003
		C3		20					351 020 003
08B-1	1/2" x 5/16"		20		10	11	7.4	2.2	221 210 001
		C1		24					351 020 001
08B-1	1/2" x 5/16"		17		14	17	7.4	2.2	221 210 004
		C3		20					351 020 003
-	5/8" x 1/4"		17		14	17	6.2	2.6	221 210 005
		C3		20					351 020 003
10B-1	5/8" x 3/8"		17		14	17	9.3	2.6	221 210 006
		C3		20					351 020 003
12B-1	3/4" x 7/16"		20		14	17	11.3	2.4	221 210 007
		C3		20					351 020 003
12B-1	3/4" x 7/16"		24		14	18	11.3	2.4	221 210 008
		C5		28					351 020 005
16B-1	1" x 17 mm		24		14	18	16	3.5	221 210 009
		C5		28					351 020 005
20B-1	1 1/4" x 3/4"		28		14	18	18	4.2	221 210 010
		C5		28					351 020 005
24B-1	1 1/2" x 1"		33		23	30	24	5.5	221 210 011
		C9		38					351 020 009
28B-1	1 3/4" x 31 mm		38		23	30	30	6.8	221 210 012
		C9		38					351 020 009
32B-1	2" x 31 mm		38		23	30	30	7.7	221 210 013
		C9		38					351 020 009
32B-1	2" x 31 mm		60		25	35	30	7.7	221 210 014
		C12		60					351 020 012

Dimensions in mm · Separate ASA/JIS product catalogue available.



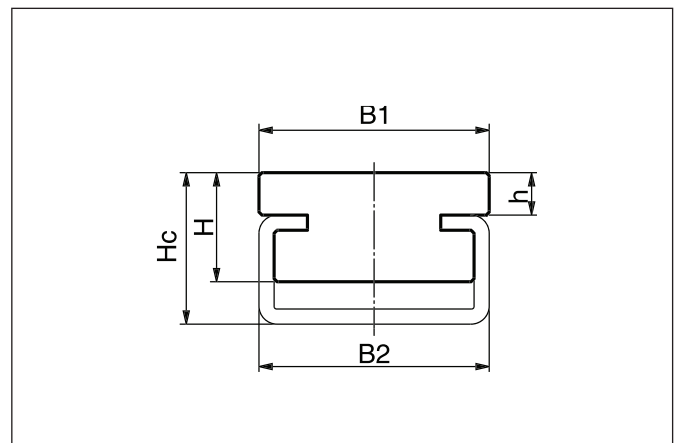
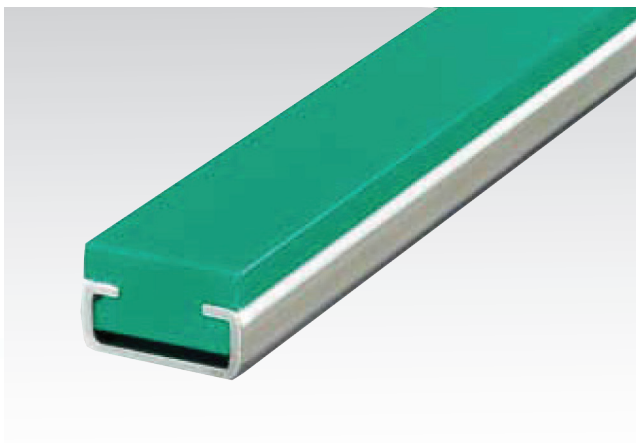


TYPE CF



Type	C profile type	B1	B2	H	Hc	h	Article no.
CF		20		5	6	1.0	211 010 001
	C1		24				351 020 001
CF		20		10	11	5.8	211 010 002
	C1		24				351 020 001
CF		20		10	14	4.0	211 010 003
	C3		20				351 020 003
CF		20		14	17	7.0	211 010 004
	C3		20				351 020 003
CF		20		16	20	10.0	211 010 005
	C3		20				351 020 003
CF		28		10	15	3.0	211 010 006
	C5		28				351 020 005
CF		28		14	18	6.0	211 010 007
	C5		28				351 020 005
CF		38		12	22	4.0	211 010 008
	C9		38				351 020 009
CF		38		18	25	7.0	211 010 009
	C9		38				351 020 009
CF		60		20	30	10.0	211 010 010
	C12		60				351 020 012
CF		50		18	20	10.0	211 010 011
	C4		50				351 020 004
CF		80		18	20	10.0	211 010 012
	C6		80				351 020 006

Dimensions in mm



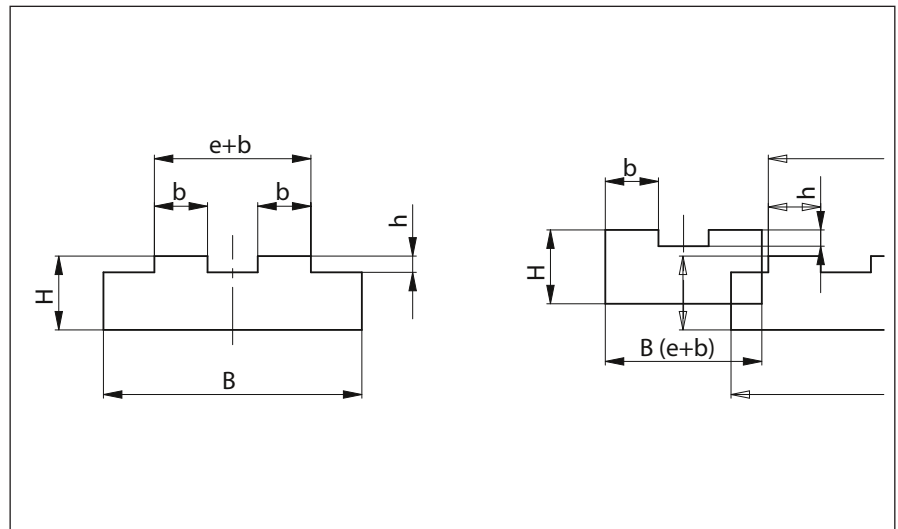
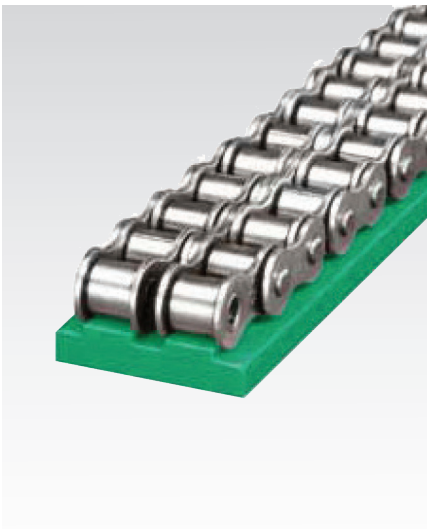


TYPE T-DUPLEX



DIN 8187 chain no.	Chain dimensions in inches	B	H	b	h	e+b	Article no.
06B-2	3/8" x 7/32"	25.0	10	5.3	1.5	15.6	221 010 025
08B-2	1/2" x 5/16"	35.0	10	7.2	2.2	21.2	221 010 026
08B-2	1/2" x 5/16"	35.0	15	7.2	2.2	21.2	221 010 027
08B-2	1/2" x 5/16"	35.0	20	7.2	2.2	21.2	221 010 028
08B-2	1/2" x 5/16"	35.0	30	7.2	2.2	21.2	221 010 029
10B-2	5/8" x 3/8"	40.0	10	9.0	2.6	25.6	221 010 030
12B-2	3/4" x 7/16"	45.0	15	10.9	2.4	30.4	221 010 031
12B-2	3/4" x 7/16"	45.0	10	10.9	2.4	30.4	221 010 032
16B-2	1" x 17 mm	47.8	15	15.8	3.5	47.8	221 010 033
20B-2	1 1/4" x 3/4"	54.7	15	18.2	4.2	54.7	221 010 034
24B-2	1 1/2" x 1"	72.0	20	23.6	5.5	72.0	221 010 035
28B-2	1 3/4" x 31 mm	88.4	25	28.8	6.8	88.4	221 010 036
32B-2	2" x 31 mm	87.4	30	28.8	7.7	87.4	221 010 037

Dimensions in mm - Separate ASA/JIS product catalogue available.






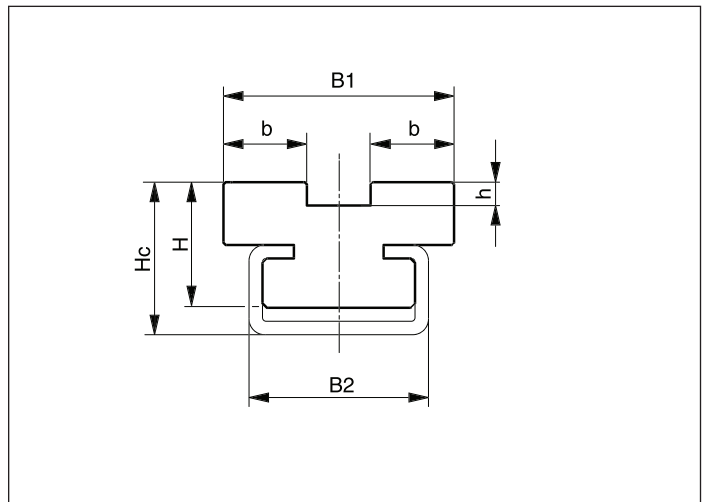
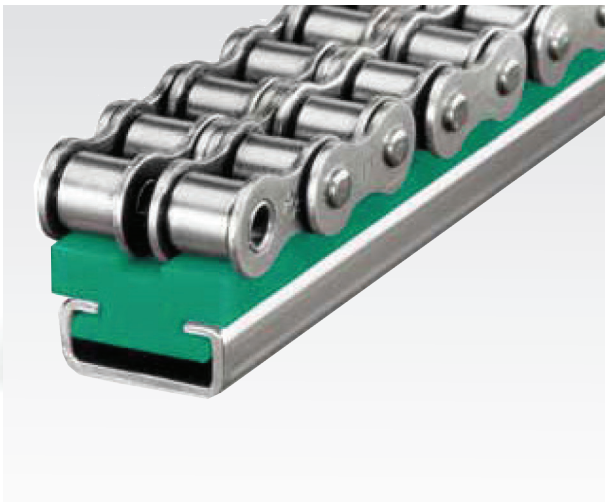
TYPE CT-DUPLEX



MURTFELDT

DIN8187 chain no.	Chain dimensions in inches	C profile type 	B1	B2	H	Hc	b	h	Article no.
06B-2	3/8" x 7/32"		15.6		14	17	5.3	1.5	221 210 022
		C3		20					351 020 003
08B-2	1/2" x 5/16"		21.2		14	17	7.2	2.2	221 210 016
		C3		20					351 020 003
10B-2	5/8" x 3/8"		25.6		14	17	9.0	2.6	221 210 017
		C3		20					351 020 003
12B-2	3/4" x 7/16"		30.4		15	20	10.9	2.4	221 210 018
		C5		28					351 020 005
16B-2	1" x 17 mm		47.8		20	27	15.8	3.5	221 210 019
		C9		38					351 020 009
20B-2	1 1/4" x 3/4"		54.7		22	30	18.2	4.2	221 210 020
		C12		60					351 020 012
24B-2	1 1/2" x 1"		72.0		25	35	23.6	5.5	221 210 021
		C12		60					351 020 012

Dimensions in mm - Separate ASA/JIS product catalogue available.





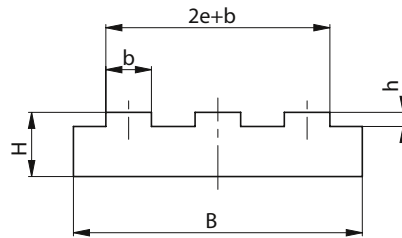
TYPE T-TRIPLEX



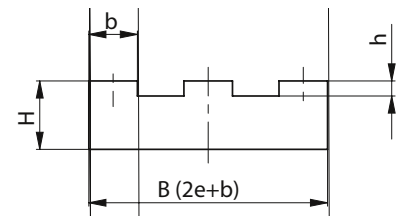
DIN8187 chain no.	Chain dimensions in inches	B	H	b	h	2e+b	Article no.
06B-3	3/8" x 7/32"	35.0	10	5.3	1.5	25.9	221 010 038
08B-3	1/2" x 5/16"	45.0	10	7.1	2.2	34.9	221 010 039
10B-3	5/8" x 3/8"	55.0	10	8.9	2.6	42.1	221 010 040
12B-3	3/4" x 7/16"	60.0	15	10.7	2.4	49.7	221 010 041
16B-3	1" x 17 mm	79.5	20	15.7	3.5	79.5	221 010 042
20B-3	1 1/4" x 3/4"	91.0	20	18.0	4.2	91.0	221 010 043
24B-3	1 1/2" x 1"	120.0	25	23.4	5.5	120.0	221 010 044

Dimensions in mm · Separate ASA/JIS product catalogue available.

From 06B-3 to 12B-3



From 16B-3 to 24B-3

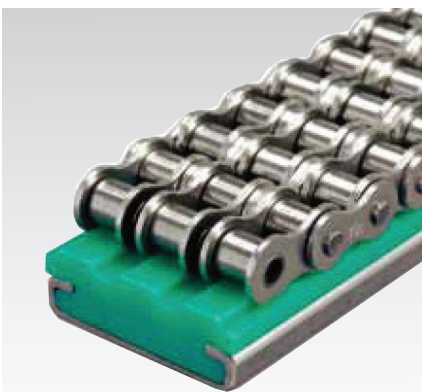


TYPE CT-TRIPLEX

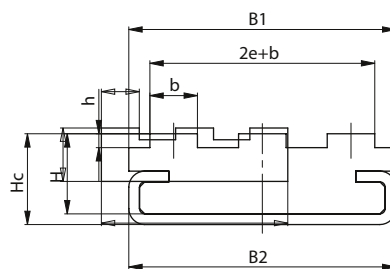


DIN8187 chain no.	Chain dimensions in inches	C profile type	B1	B2	H	Hc	b	h	2e+b	Article no.
06B-3	3/8" x 7/32"	C5	30.0	28	15	20	5.3	1.5	25.9	221 210 023
										351 020 005
08B-3	1/2" x 5/16"	C5	34.9	28	15	20	7.1	2.2	34.9	221 210 024
										351 020 005
10B-3	5/8" x 3/8"	C4	50.0	50	15	17	8.9	2.6	42.1	221 210 025
										351 020 004
12B-3	3/4" x 7/16"	C4	49.7	50	18	20	10.7	2.4	49.7	221 210 026
										351 020 004
16B-3	1" x 17 mm	C6	79.5	80	20	22	15.7	3.5	79.5	221 210 027
										351 020 006
20B-3	1 1/4" x 3/4"	C6	91.0	80	20	22	18.0	4.2	91.0	221 210 028
										351 020 006

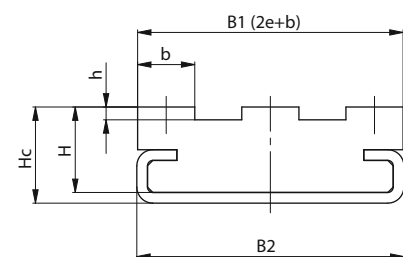
Dimensions in mm · Separate ASA/JIS product catalogue available.



From 06B-3 to 10B-3



From 12B-3 to 20B-3

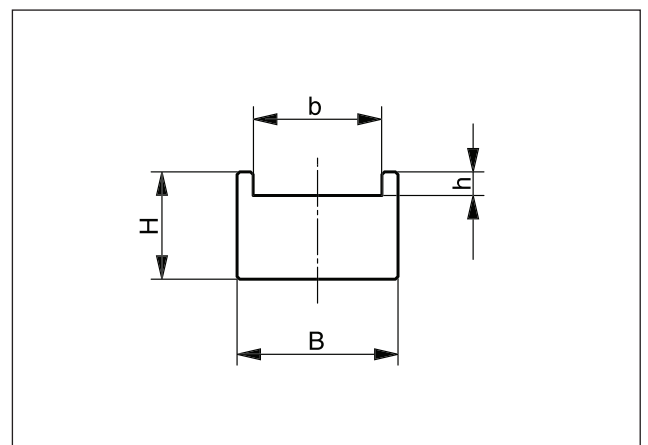
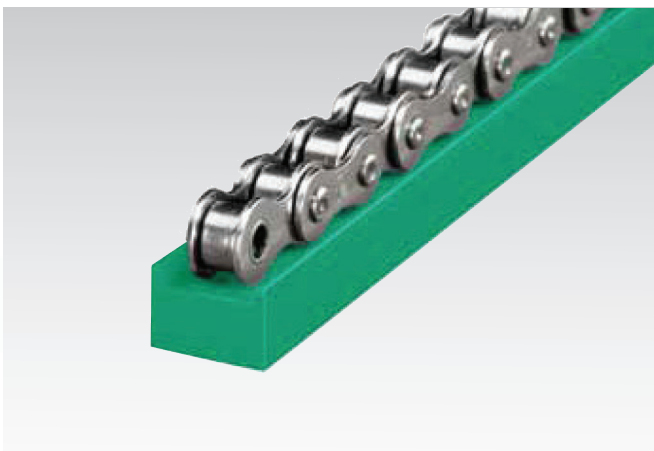


TYPE TU



DIN8187 chain no.	Chain dimensions in inches	B	H	b	h	Article no.
-	3/8" x 5/32"	15	10	12	2.2	221 110 010
083-1	1/2" x 3/16"	15	10	12	2.2	221 110 011

Dimensions in mm · Separate ASA/JIS product catalogue available.

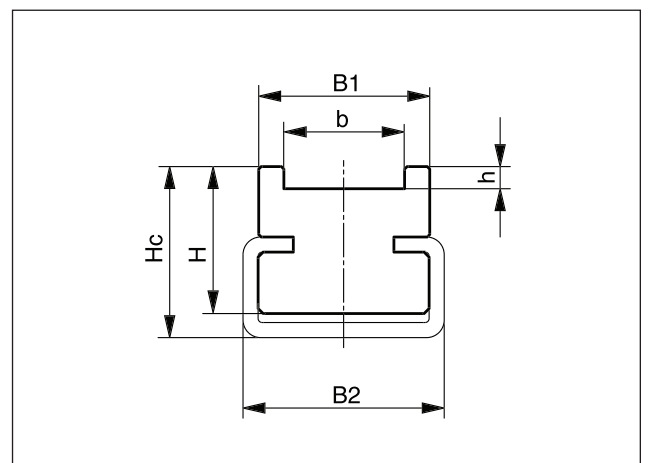
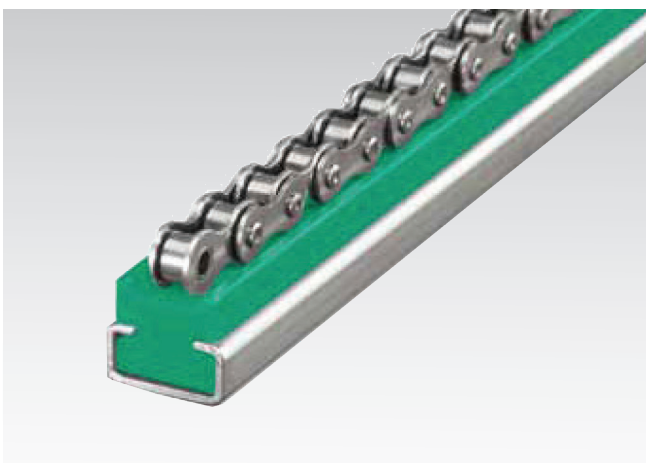


TYPE CTU



DIN8187 chain no.	Chain dimensions in inches	C profile type	B1	B2	H	Hc	b	h	Article no.
-	3/8" x 5/32"	C3	17		14	17	12	2.2	221 310 010
				20					351 020 003
083-1	1/2" x 3/16"	C3	17		14	17	12	2.2	221 310 010
				20					351 020 003

Dimensions in mm · Separate ASA/JIS product catalogue available.





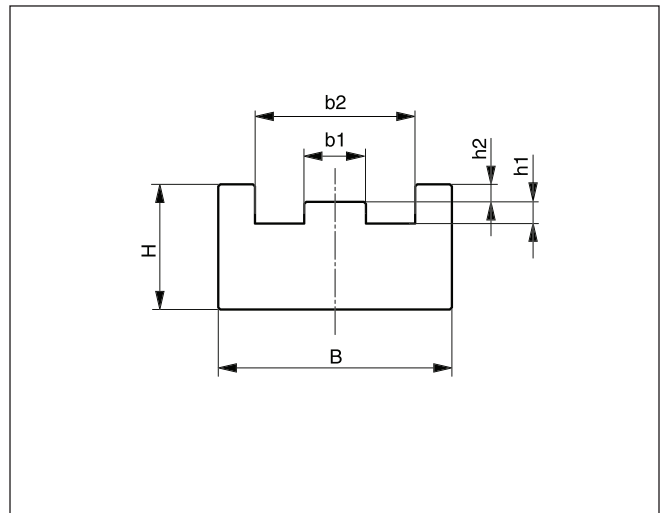
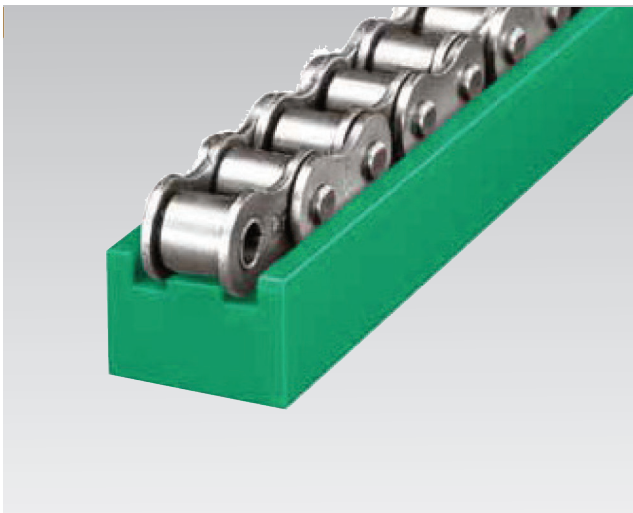
TYPE TS

MURTFELDT



DIN 8187 chain no.	Chain dimensions in inches	B	H	b1	b2	h1	h2	Article no.
06B-1	3/8" x 7/32"	20	10	3.8	13.0	1.5	1.1	221 110 001
083-1	1/2" x 3/16"	20	10	3.0	12.4	1.6	1.4	221 110 002
085-1	1/2" x 1/4"	22	10	4.5	15.1	2.2	1.6	221 110 003
08B-1	1/2" x 5/16"	25	15	5.7	16.3	2.2	1.6	221 110 004
-	5/8" x 1/4"	25	15	4.1	16.1	2.6	2.1	221 110 005
10B-1	5/8" x 3/8"	28	15	7.4	19.2	2.6	2.1	221 110 006
12B-1	3/4" x 7/16"	30	20	9.2	21.8	2.4	2.8	221 110 007
16B-1	1" x 17 mm	42	25	15.0	35.0	3.5	3.3	221 110 008
20B-1	1 1/4" x 3/4"	50	25	16.8	40.0	4.2	4.0	221 110 009

Dimensions in mm · Separate ASA/JIS product catalogue available.






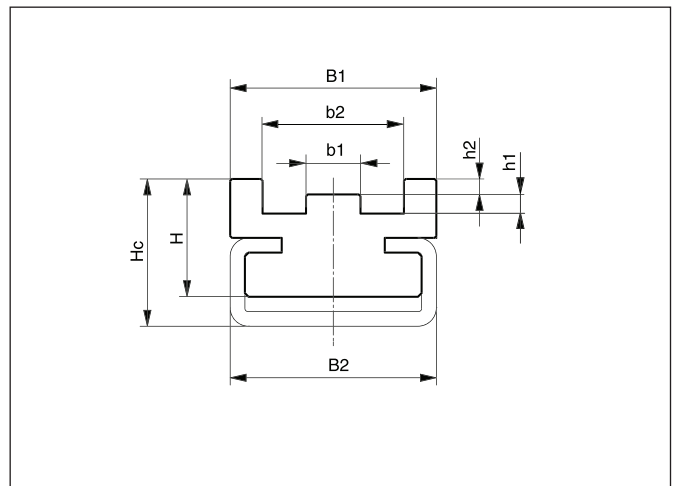
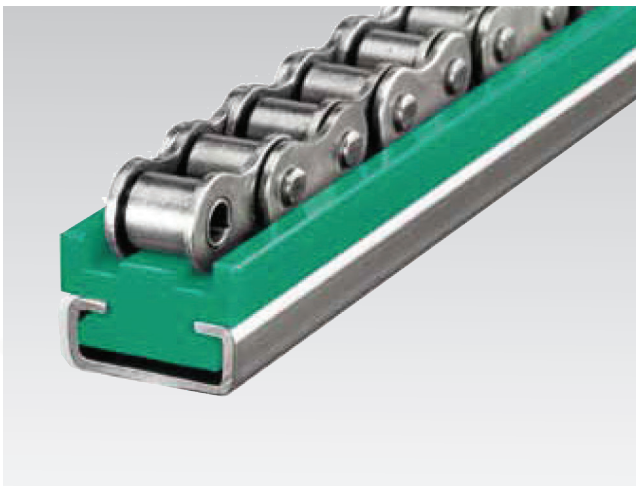
TYPE CTS



MURTFELDT

DIN8187 chain no.	Chain dimensions in inches	C profile type 	B1	B2	H	Hc	b1	b2	h1	h2	Article no.
06B-1	3/8" x 7/32"		20		14	17	3.8	13.0	1.5	1.1	221 310 001
		C3		20							351 020 003
083-1	1/2" x 3/16"		20		14	17	3.0	12.4	1.6	1.4	221 310 002
		C3		20							351 020 003
085-1	1/2" x 1/4"		22		14	17	4.5	15.1	2.2	1.6	221 310 003
		C3		20							351 020 003
08B-1	1/2" x 5/16"		25		16	20	5.7	16.3	2.2	1.6	221 310 004
		C3		20							351 020 003
-	5/8" x 1/4"		25		16	20	4.1	16.1	2.6	2.1	221 310 005
		C3		20							351 020 003
10B-1	5/8" x 3/8"		28		16	20	7.4	19.2	2.6	2.1	221 310 006
		C5		28							351 020 005
12B-1	3/4" x 7/16"		30		18	22	9.2	21.8	2.4	2.8	221 310 007
		C5		28							351 020 005
16B-1	1" x 17 mm		42		25	30	15.0	35.0	3.5	3.3	221 310 008
		C9		38							351 020 009
20B-1	1 1/4" x 3/4"		50		30	35	16.8	40.0	4.2	4.0	221 310 009
		C9		38							351 020 009

Dimensions in mm · Separate ASA/JIS product catalogue available.





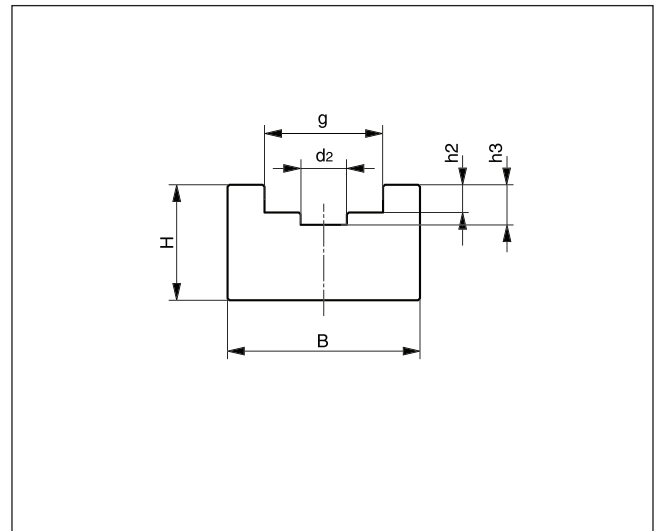
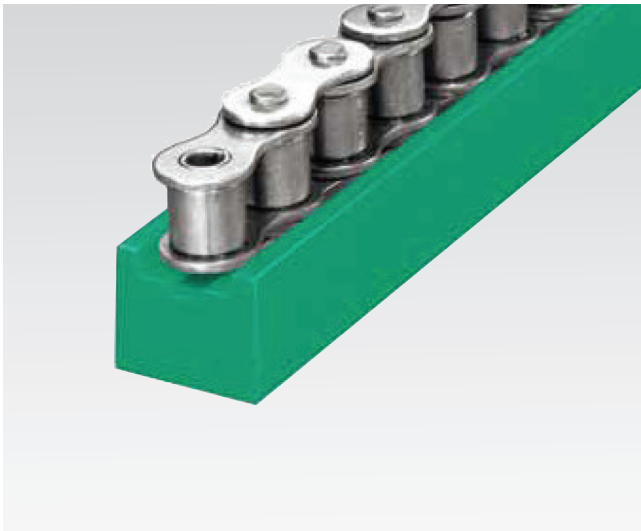
TYPE U

MURTFELDT



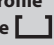
DIN8187 chain no.	Chain dimensions in inches	B	H	d2	g	h2	h3	Article no.
-	3/8" x 5/32"	20	15	4	9.4	2.8	4.2	221 110 012
06B-1	3/8" x 7/32"	20	15	4	9.4	2.8	4.2	221 110 013
083-1	1/2" x 3/16"	20	15	5	10.8	2.3	3.8	221 110 014
g=12,8mm	1/2" x 1/4"	25	15	5	12.8	3.5	5.0	221 110 015
08B-1	1/2" x 5/16"	25	15	5	12.8	3.5	5.0	221 110 017
-	5/8" x 1/4"	25	15	6	15.4	3.6	5.2	221 110 016
085-1	1/2 x 1/4"	20	15	5	11.8	3.2	4.7	221 110 018
10B-1	5/8" x 3/8"	25	15	6	15.4	3.6	5.0	221 110 019
12B-1	3/4" x 7/16"	25	20	7	17.0	3.9	5.7	221 110 020
16B-1	1" x 17 mm	33	25	10	24.0	8.4	10.6	221 110 021
20B-1	1 1/4" x 3/4"	55	25	11	28.0	10.0	12.2	221 110 022
24B-1	1 1/2" x 1"	60	30	16	36.6	13.0	16.0	221 110 023
28B-1	1 3/4" x 31 mm	65	30	17	40.0	16.0	18.0	221 110 024
32B-1	2" x 31 mm	70	30	20	44.6	16.0	20.0	221 110 025

Dimensions in mm · Separate ASA/JIS product catalogue available.

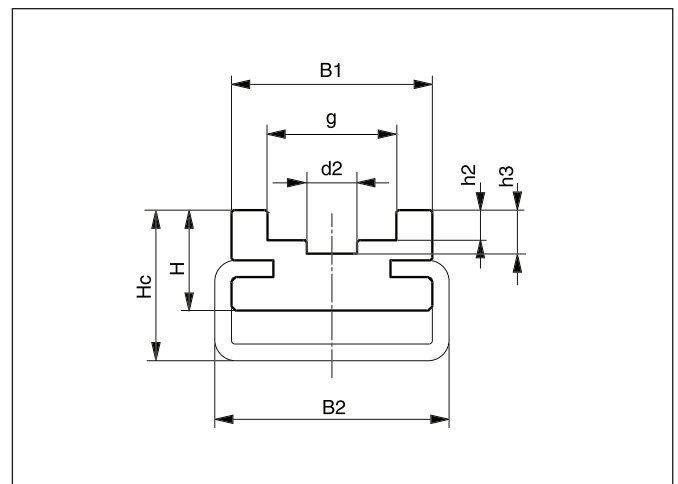


TYPE CU



DIN8187 chain no.	Chain dimensions in inches	C profile type 	B1	B2	H	Hc	d2	g	h2	h3	Article no.
-	3/8" x 5/32"		20		14	17	4	9.4	2.8	4.2	221 310 011
		C3		20							351 020 003
06B-1	3/8" x 7/32"		20		14	17	4	9.4	2.8	4.2	221 310 013
		C3		20							351 020 003
083-1	1/2" x 3/16"		20		14	17	5	10.8	2.3	3.8	221 310 015
		C3		20							351 020 003
085-1	1/2" x 1/4"		28		14	18	5	11.8	3.2	4.7	221 310 017
		C5		28							351 020 005
g=12,8mm	1/2" x 1/4"		28		14	18	5	12.8	3.5	5.0	221 310 019
		C5		28							351 020 005
08B-1	1/2" x 5/16"		20		10	11	5	12.8	3.5	5.0	221 310 012
		C1		24							351 020 001
-	5/8" x 1/4"		24		12	18	6	15.4	3.6	5.2	221 310 021
		C5		28							351 020 005
10B-1	5/8" x 3/8"		24		12	18	6	15.4	3.6	5.0	221 310 014
		C5		28							351 020 005
12B-1	3/4" x 7/16"		24		12	18	7	17.0	3.9	5.7	221 310 016
		C5		28							351 020 005
16B-1	1" x 17 mm		33		20	30	10	24.0	8.4	10.6	221 310 018
		C9		38							351 020 009
20B-1	1 1/4" x 3/4"		60		25	35	11	28.0	10.0	12.2	221 310 020
		C12		60							351 020 012
24B-1	1 1/2" x 1"		60		30	40	16	36.6	13.0	16.0	221 310 022
		C12		60							351 020 012
28B-1	1 3/4" x 31 mm		65		38	45	17	40.0	16.0	18.0	221 310 023
		C12		60							351 020 012
32B-1	2" x 31 mm		70		38	45	20	44.6	16.0	20.0	221 310 024
		C12		60							351 020 012

Dimensions in mm · Separate ASA/JIS product catalogue available.





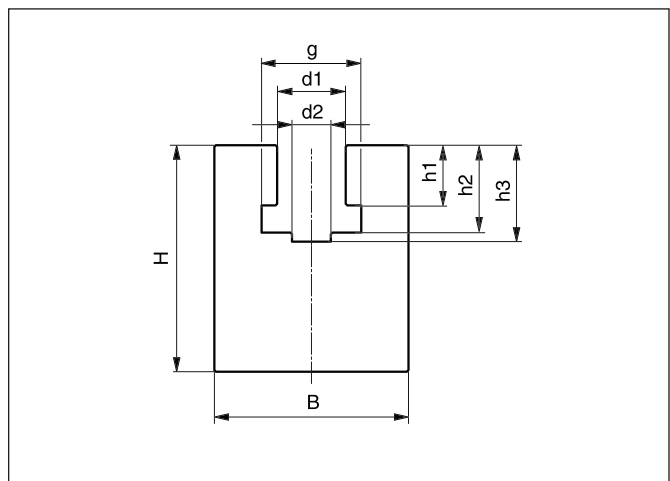
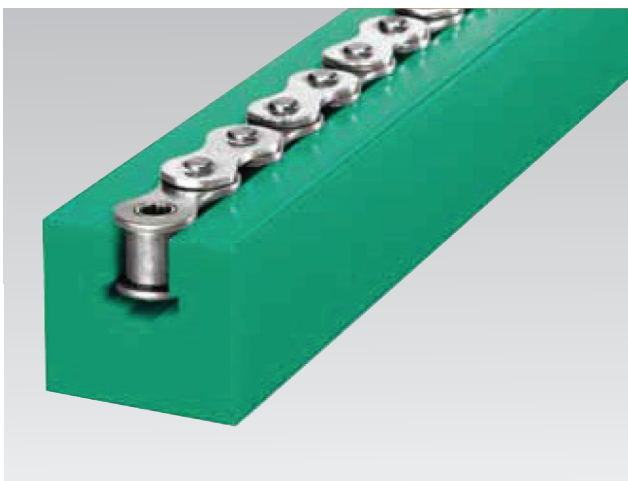
TYPE K

MURTFELDT




DIN8187 chain no.	Chain dimensions in inches	B	H	d1	d2	g	h1	h2	h3	Article no.
-	3/8" x 5/32"	20	25	6.6	4	9.4	3.6	7.0	8.0	221 110 026
06B-1	3/8" x 7/32"	20	25	6.6	4	9.4	5.5	8.9	10.0	221 110 027
083-1	1/2" x 3/16"	20	25	8.0	5	10.8	4.5	8.0	9.5	221 110 028
085-1	1/2" x 1/4"	24	30	8.0	5	11.8	6.2	9.8	11.3	221 110 029
g=12,8mm	1/2" x 1/4"	24	30	8.8	5	12.8	6.2	10.2	11.7	221 110 030
08B-1	1/2" x 5/16"	24	30	8.9	5	12.8	7.4	11.5	13.0	221 110 031
-	5/8" x 1/4"	30	30	10.6	6	15.4	6.2	10.2	11.6	221 110 032
10B-1	5/8" x 3/8"	30	35	10.6	6	15.4	9.3	13.5	14.9	221 110 033
12B-1	3/4" x 7/16"	40	35	12.4	7	17.0	11.3	15.9	17.5	221 110 034
16B-1	1" x 17 mm	40	45	16.4	10	24.0	16.0	25.7	27.7	221 110 035
20B-1	1 1/4" x 3/4"	50	50	20.0	11	28.0	18.0	29.5	31.7	221 110 036
24B-1	1 1/2" x 1"	60	60	27.0	16	36.6	24.0	38.2	41.2	221 110 037
28B-1	1 3/4" x 31 mm	60	70	30.0	17	41.0	30.0	47.0	49.0	221 110 038
32B-1	2" x 31 mm	70	75	31.0	19	44.6	30.0	47.3	50.0	221 110 039

Dimensions in mm - Separate ASA/JIS product catalogue available.

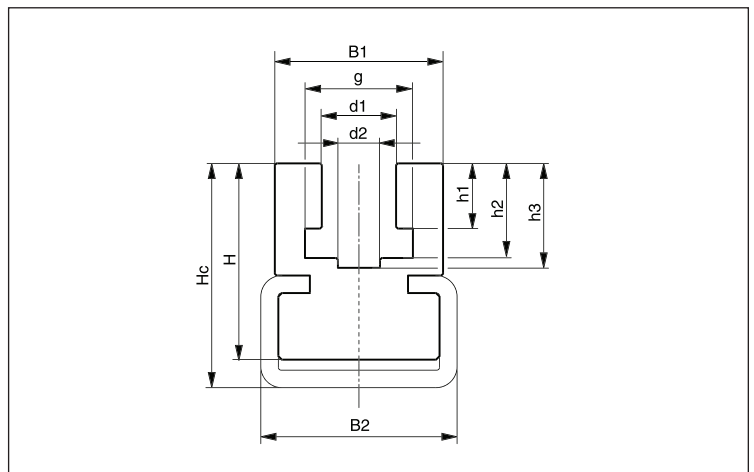


TYPE CK



DIN8187 chain no.	Chain dimensions in inches	C profile type 	B1	B2	H	Hc	d1	d2	g	h1	h2	h3	Article no.
-	3/8" x 5/32"		20		18	21	6.6	4	9.4	3.6	7.0	8.0	221 310 025
		C3		20									351 020 003
06B-1	3/8" x 7/32"		20		18	21	6.6	4	9.4	5.5	8.9	10.0	221 310 026
		C3		20									351 020 003
083-1	1/2" x 3/16"		20		18	21	8.0	5	10.8	4.5	8.0	9.5	221 310 027
		C3		20									351 020 003
085-1	1/2" x 1/4"		24		28	32	8.0	5	11.8	6.2	9.8	11.3	221 310 028
		C7		28									351 020 007
g=12,8mm	1/2" x 1/4"		24		28	32	8.8	5	12.8	6.2	10.2	11.7	221 310 029
		C7		28									351 020 007
08B-1	1/2" x 5/16"		24		28	32	8.9	5	12.8	7.4	11.5	13.0	221 310 030
		C7		28									351 020 007
-	5/8" x 1/4"		24		28	32	10.6	6	15.4	6.2	10.2	11.6	221 310 031
		C7		28									351 020 007
10B-1	5/8" x 3/8"		24		28	32	10.6	6	15.4	9.3	13.5	14.9	221 310 032
		C7		28									351 020 007
12B-1	3/4" x 7/16"		32		35	43	12.4	7	17.0	11.3	15.9	17.5	221 310 033
		C9		38									351 020 009
16B-1	1" x 17 mm		40		45	50	16.4	10	24.0	16.0	25.7	27.7	221 310 034
		C9		38									351 020 009
20B-1	1 1/4" x 3/4"		60		50	55	20.0	11	28.0	18.0	29.5	31.7	221 310 035
		C12		60									351 020 012
24B-1	1 1/2" x 1"		60		60	65	27.0	16	36.6	24.0	38.2	41.2	221 310 036
		C12		60									351 020 012
28B-1	1 3/4" x 31 mm		70		75	80	30.0	17	40.0	30.0	47.0	49.0	221 310 037
		C12		60									351 020 012
32B-1	2" x 31 mm		70		75	80	31.0	19	44.6	30.0	47.3	50.0	221 310 038
		C12		60									351 020 012

Dimensions in mm - Separate ASA/JIS product catalogue available.






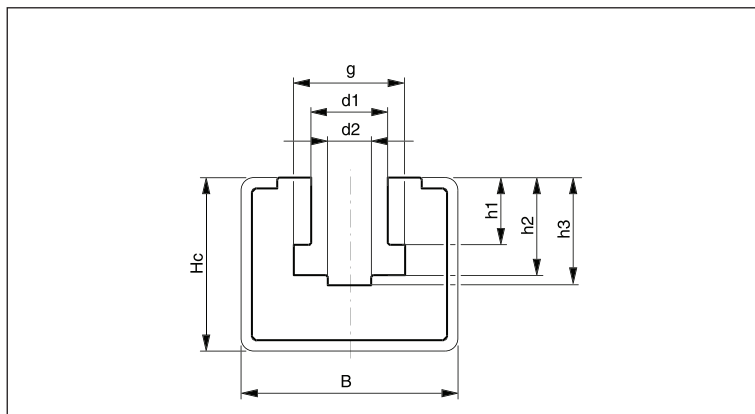
TYPE CKG

MURTFELDT



DIN 8187 chain no.	Chain dimensions in inches	C profile type 	B	Hc	d1	d2	g	h1	h2	h3	Article no.
-	3/8" x 5/32"	C10	30	24	6.6	4	9.4	3.6	7.0	8.0	221 410 001
											351 020 010
06B-1	3/8" x 7/32"	C10	30	24	6.6	4	9.4	5.5	8.9	10.0	221 410 002
											351 020 010
083-1	1/2" x 3/16"	C10	30	24	8.0	5	10.8	4.5	8.0	9.5	221 410 003
											351 020 010
085-1	1/2" x 1/4"	C10	30	24	8.0	5	11.8	6.2	9.8	11.3	221 410 020
											351 020 010
g=12,8mm	1/2" x 1/4"	C10	30	24	8.8	5	12.8	6.2	10.2	11.7	221 410 021
											351 020 010
08B-1	1/2" x 5/16"	C10	30	24	8.9	5	12.8	7.4	11.5	13.0	221 410 004
											351 020 010
-	5/8" x 1/4"	C10	30	24	10.6	6	15.4	6.2	10.2	11.6	221 410 022
											351 020 010
10B-1	5/8" x 3/8"	C10	30	24	10.6	6	15.4	9.3	13.5	14.9	221 410 005
											351 020 010
12B-1	3/4" x 7/16"	C10	30	24	12.4	7	17.0	11.3	15.9	17.5	221 410 006
											351 020 010
16B-1	1" x 17 mm	C11	45	40	16.4	10	24.0	16.0	25.7	27.7	221 410 007
											351 020 011
20B-1	1 1/4" x 3/4"	C11	45	40	20.0	11	28.0	18.0	29.5	31.7	221 410 008
											351 020 011
24B-1	1 1/2" x 1"	C13	65	55	27.0	16	36.6	24.0	38.2	41.2	221 410 009
											351 020 013
28B-1	1 3/4" x 31 mm	C13	65	60	30.0	17	41.0	30.0	47.0	49.0	221 410 010
											351 020 013
32B-1	2" x 31 mm	C13	65	60	31.0	19	44.6	30.0	47.3	50.0	221 410 011
											351 020 013

Dimensions in mm - Separate ASA/JIS product catalogue available.






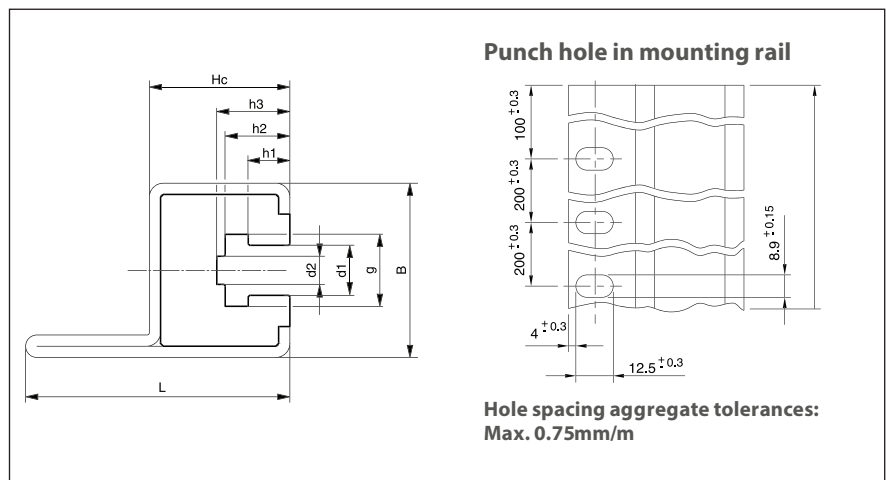
TYPE CKG 14H

MURTFELDT



DIN8187 chain no.	Chain dimensions in inches	C profile type 	B	Hc	L	d1	d2	g	h1	h2	h3	Article no.
-	3/8" x 5/32"		31	25	47	6.6	4	9.4	3.6	7.0	8.0	221 410 001
		C14H										351 020 014
06B-1	3/8" x 7/32"		31	25	47	6.6	4	9.4	5.5	8.9	10.0	221 410 002
		C14H										351 020 014
083-1	1/2" x 3/16"		31	25	47	8.0	5	10.8	4.5	8.0	9.5	221 410 003
		C14H										351 020 014
085-1	1/2" x 1/4"		31	25	47	8.0	5	11.8	6.2	9.8	11.3	221 410 020
		C14H										351 020 014
g=12,8mm	1/2" x 1/4"		31	25	47	8.8	5	12.8	6.2	10.2	11.7	221 410 021
		C14H										351 020 014
08B-1	1/2" x 5/16"		31	25	47	8.9	5	12.8	7.4	11.5	13.0	221 410 004
		C14H										351 020 014
-	5/8" x 1/4"		31	25	47	10.6	6	15.4	6.2	10.2	11.6	221 410 022
		C14H										351 020 014
10B-1	5/8" x 3/8"		31	25	47	10.6	6	15.4	9.3	13.5	14.9	221 410 005
		C14H										351 020 014
12B-1	3/4" x 7/16"		31	25	47	12.4	7	17.0	11.3	15.9	17.5	221 410 006
		C14H										351 020 014

Dimensions in mm · Separate ASA/JIS product catalogue available.



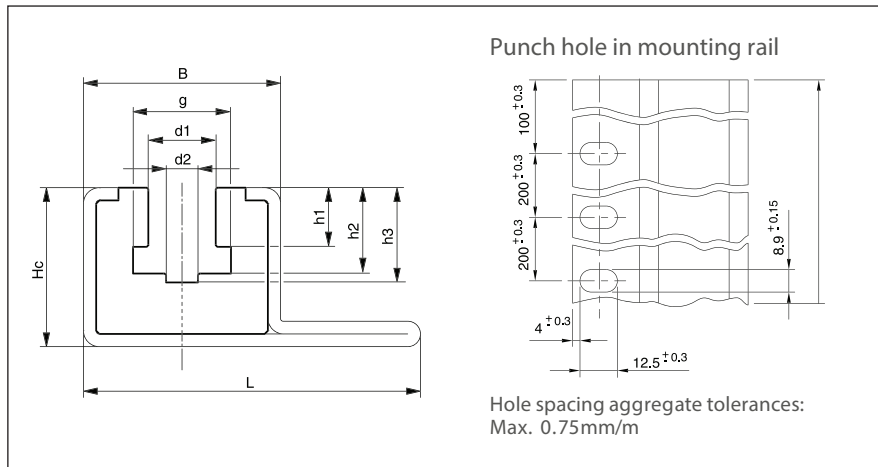


TYPE CKG 15V



DIN8187 chain no.	Chain dimensions in inches	C profile type	B	Hc	L	d1	d2	g	h1	h2	h3	Article no.
-	3/8" x 5/32"	C15V	31	25	53	6.6	4	9.4	3.6	7.0	8.0	221 410 001 351 020 015
06B-1	3/8" x 7/32"	C15V	31	25	53	6.6	4	9.4	5.5	8.9	10.0	221 410 002 351 020 015
083-1	1/2" x 3/16"	C15V	31	25	53	8.0	5	10.8	4.5	8.0	9.5	221 410 003 351 020 015
085-1	1/2" x 1/4"	C15V	31	25	53	8.0	5	11.8	6.2	9.8	11.3	221 410 020 351 020 015
g=12,8mm	1/2" x 1/4"	C15V	31	25	53	8.8	5	12.8	6.2	10.2	11.7	221 410 021 351 020 015
08B-1	1/2" x 5/16"	C15V	31	25	53	8.9	5	12.8	7.4	11.5	13.0	221 410 004 351 020 015
-	5/8" x 1/4"	C15V	31	25	53	10.6	6	15.4	6.2	10.2	11.6	221 410 022 351 020 015
10B-1	5/8" x 3/8"	C15V	31	25	53	10.6	6	15.4	9.3	13.5	14.9	221 410 005 351 020 015
12B-1	3/4" x 7/16"	C15V	31	25	53	12.4	7	17.0	11.3	15.9	17.5	221 410 006 351 020 015

Dimensions in mm · Separate ASA/JIS product catalogue available.





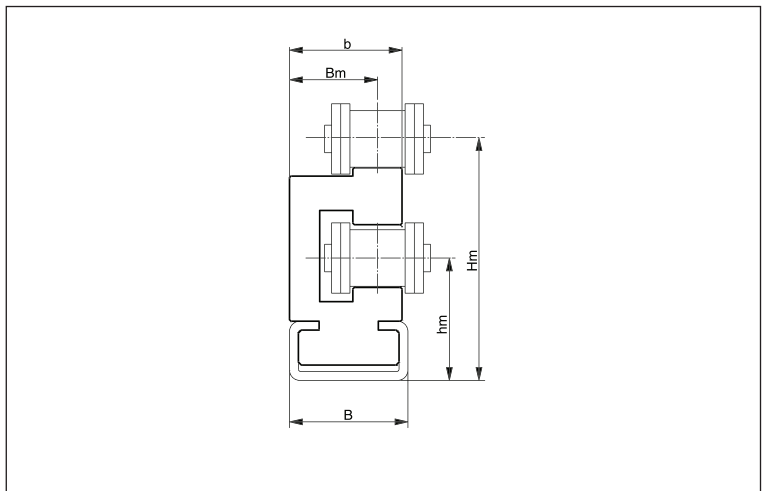
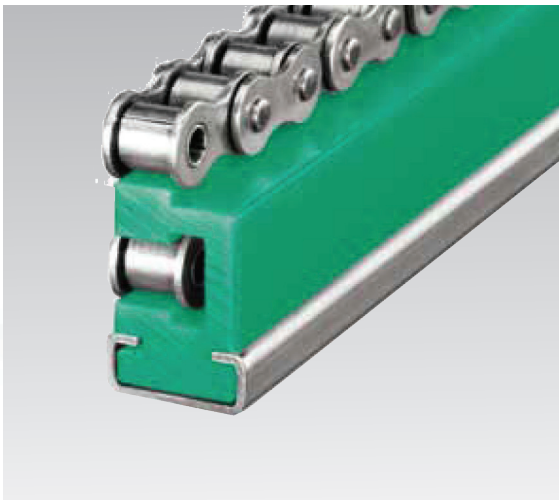
Double-Decker Guides for Roller Chains as per DIN8187

TYPE ETA



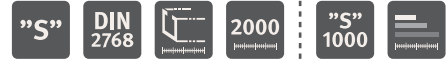
DIN8187 chain no.	Chain dimensions in inches	C profile type	B	Hm	b	Bm	hm	Article no.
06B-1	3/8" x 7/32"		20	30.2	17	14.5	17	221 310 039
		C3						351 020 003
08B-1	1/2" x 5/16"		20	33.8	20	16.5	18	221 310 040
		C3						351 020 003
10B-1	5/8" x 3/8"		20	41.1	20	15.5	21	221 310 041
		C3						351 020 003
12B-1	3/4" x 7/16"		28	46.5	24	18.5	24	221 310 042
		C5						351 020 005
16B-1	1" x 17 mm		38	62.0	33	25.0	34	221 310 043
		C9						351 020 009

Dimensions in mm - Separate ASA/JIS product catalogue available.



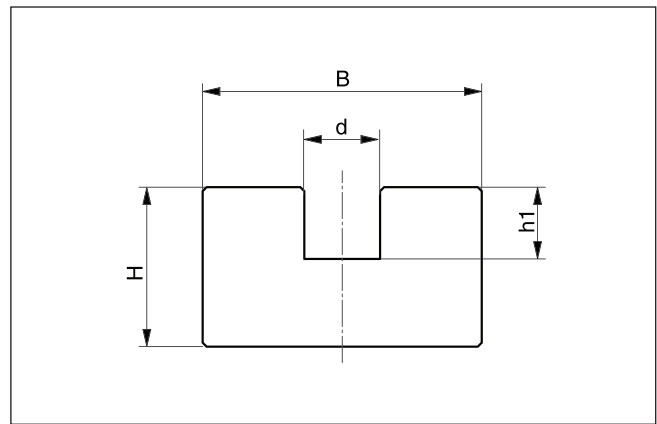
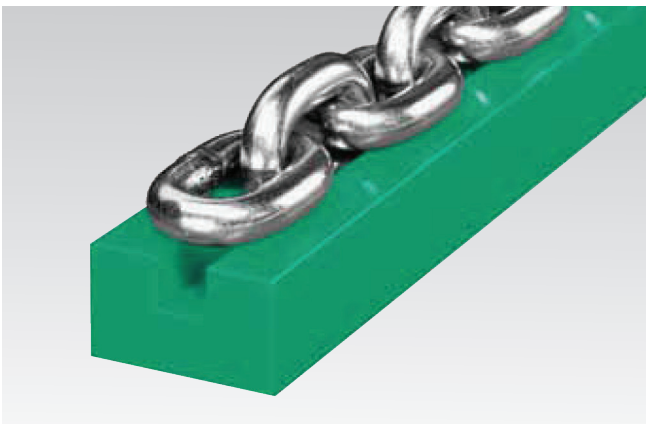
Chain guides for round link chains as per DIN 766/764

TYPE R



Nominal thickness d, DIN 766/764	B	H	d	h1	Article no.
6	30	15	7.0	7	231 010 001
8	38	20	9.0	9	231 010 002
10	45	25	11.5	11	231 010 003
13	55	30	15.0	15	231 010 004

Dimensions in mm

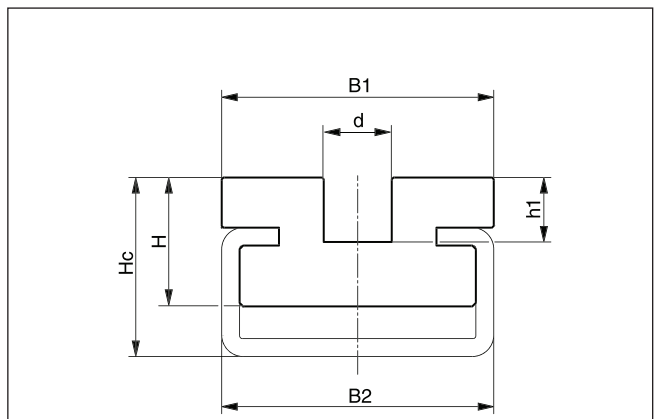


TYPE CRU



Nominal thickness d, DIN 766/764	C profile type	B1	B2	H	Hc	d	h1	Article no.
6	C5	30		14	18	7.0	7	231 110 005
			28					351 020 005
8	C9	38		18	25	9.5	9	231 110 006
			38					351 020 009
10	C9	45		18	28	11.5	11	231 110 007
			38					351 020 009
13	C12	60		25	33	15.0	15	231 110 008
			60					351 020 012

Dimensions in mm For round link chains that do not comply with DIN 766 or DIN 764 please specify dimensions.

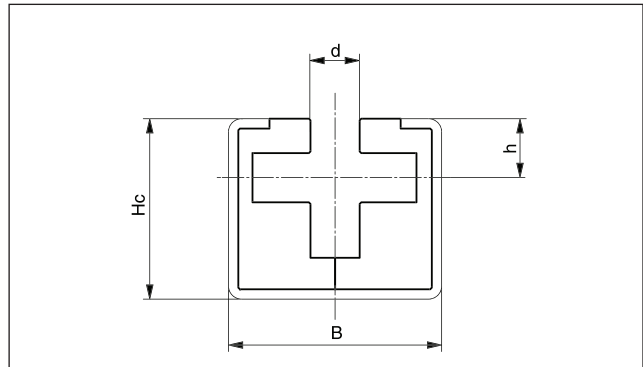
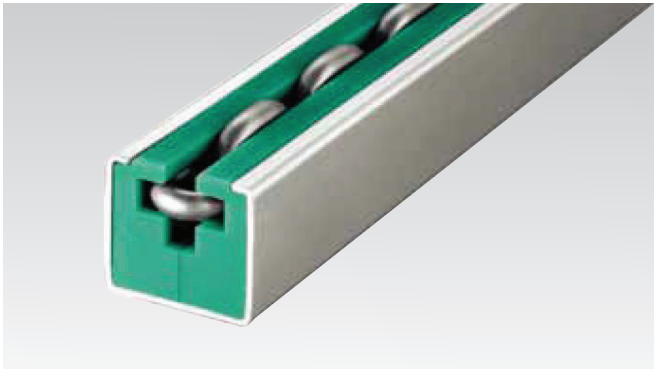


TYPE CRG



Nominal thickness d, DIN 766/764	C profile type	B	Hc	d	h	Article no.
6			40	7.0	8.0	231 110 009
	C11	45				351 020 011
8			40	9.5	9.5	231 110 010
	C11	45				351 020 011
10			55	11.5	14.0	231 110 011
	C13	65				351 020 013
13			55	15.0	18.0	231 110 012
	C13	65				351 020 013

Dimensions in mm

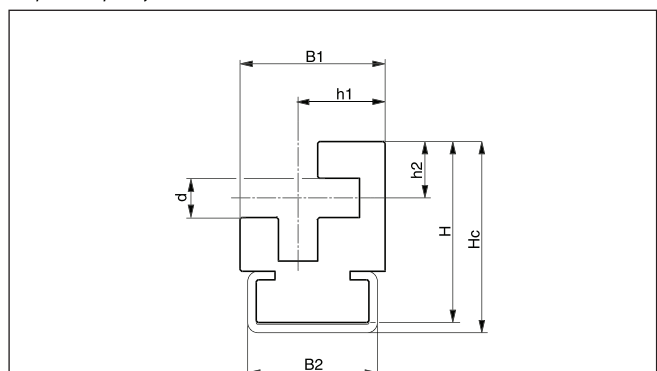
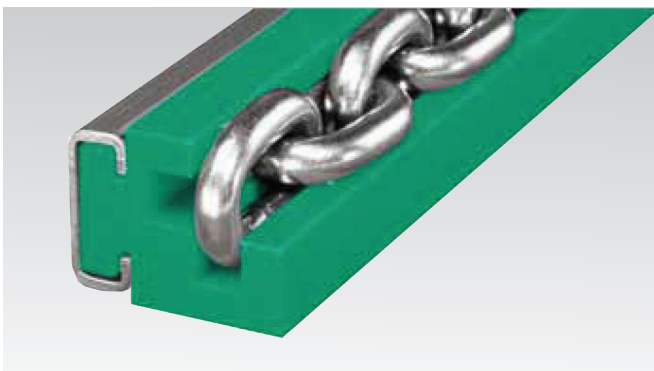


TYPE CRO



Nominal thickness d, DIN 766/764	C profile type	B1	B2	H	Hc	d	h1	h2	Article no.
6		27.0		32	34	7.0	17.5	10.5	231 110 001
	C3		20						351 020 003
8		32.0		39	42	9.5	20.5	12.5	231 110 002
	C5		28						351 020 005
10		42.5		53	56	11.5	25.5	16.5	231 110 003
	C9		38						351 020 009
13		60.0		67	70	15.0	33.5	20.5	231 110 004
	C12		60						351 020 012

Dimensions in mm For round link chains that do not comply with DIN 766 or DIN 764 please specify dimensions.



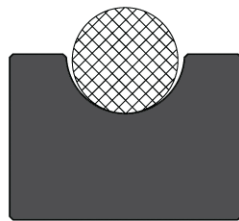
OVERVIEW OF BELT GUIDES

Plastic instead of metal

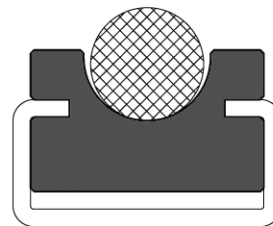
Belt guides made of metal cause a great deal of friction on the belts. By choosing a belt guide made of Material "S"[®] Black Antistatic, you considerably reduce this wear. In addition, you

save on drive energy thanks to the reduced static friction. Material "S"[®] Black Antistatic is suitable for use for round belts, V-belts, tooth belts and tracked tooth belts.

For round belts

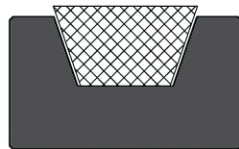


Type RR - p.121

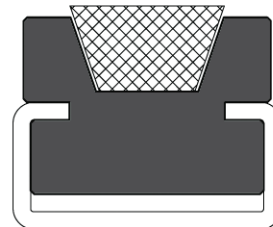


Type RRC - p.121

For V-belts as per DIN 2215



Type KR - p.122

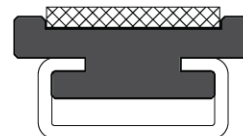


Type KRC - p.123

For tooth belts

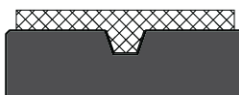


Type FR - p.124

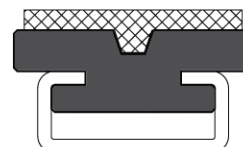


Type FRC - p.124

For tracked tooth belts



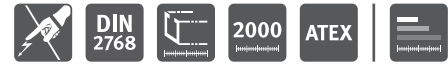
Type FK - p.125



Type FKC - p.125

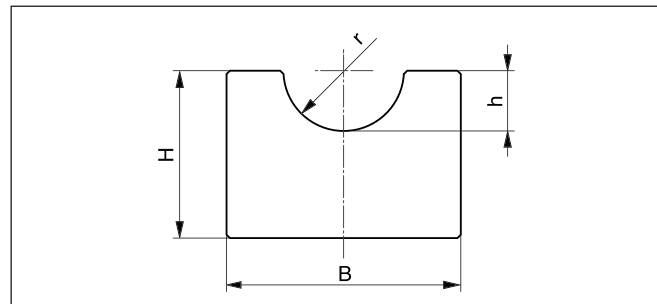
Guides for Round Belts

TYPE RR



Belt type / Ø	B	H	h	r	Article no.
5.0	20	10	3	3	231 010 027
6.3	20	10	4	4	231 010 028
8.0	20	12	5	5	231 010 029
9.5	25	15	6	6	231 010 030
12.5	28	20	8	7	231 010 031
15.0	33	25	10	9	231 010 032
18.0	38	25	12	10	231 010 033

Dimensions in mm

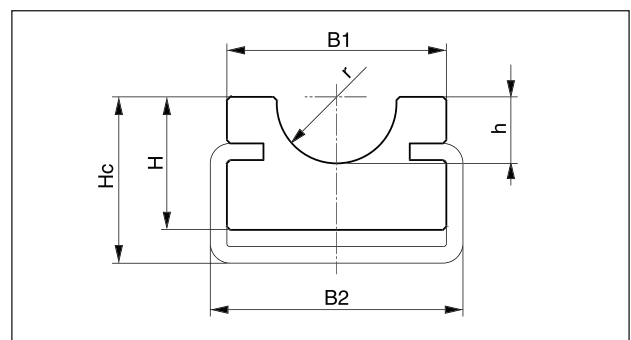


TYPE RRC



Belt type / Ø	C profile type	B1	B2	H	Hc	h	r	Article no.
5.0		20		10	15	3	3	231 110 035
	C3		20					351 020 003
6.3		20		15	18	4	4	231 110 036
	C3		20					351 020 003
8.0		20		15	18	5	5	231 110 037
	C3		20					351 020 003
9.5		25		15	20	6	6	231 110 038
	C5		28					351 020 005
12.5		28		15	20	8	7	231 110 039
	C5		28					351 020 005
15.0		33		20	25	10	9	231 110 040
	C9		38					351 020 009
18.0		38		20	25	12	10	231 110 041
	C9		38					351 020 009

Dimensions in mm





Guides for V-belts as per DIN2215

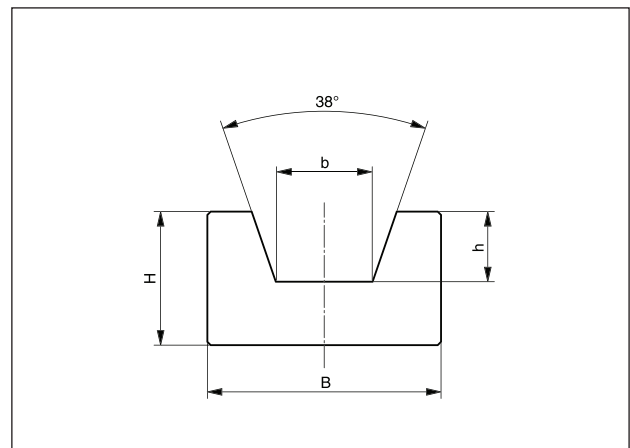
TYPE KR

MURTFELDT



Belt type/ b x h	B	H	b	h	Article no.
8 x 5	20	10	6.0	3.5	231 010 005
10 x 6	20	10	7.2	4.5	231 010 006
13 x 8	20	12	9.2	6.0	231 010 007
17 x 11	30	15	11.5	8.0	231 010 008
20 x 12.5	30	20	13.5	9.0	231 010 009
22 x 14	35	20	14.5	10.5	231 010 010
25 x 16	40	25	16.5	12.0	231 010 011
32 x 20	50	30	21.0	16.0	231 010 012
40 x 25	60	35	26.0	21.0	231 010 013

Dimensions in mm





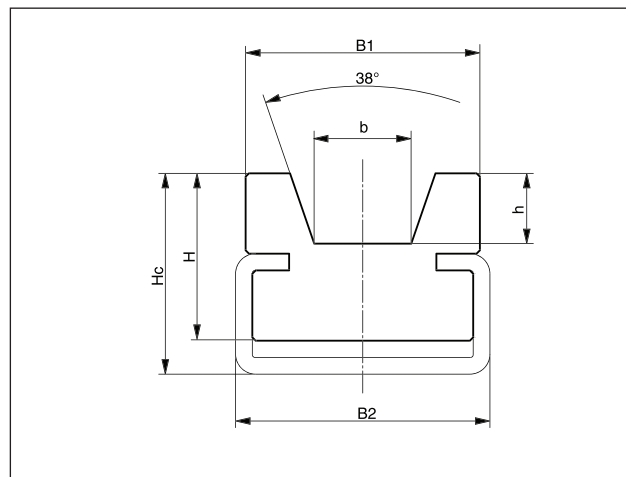
TYPE KRC



MURTFELDT

Belt type/b x h	C profile type	B1	B2	H	Hc	b	h	Article no.
8 x 5		20		10	15	6.0	3.5	231 110 013
	C3		20					351 020 003
10 x 6		20		15	18	7.2	4.5	231 110 014
	C3		20					351 020 003
13 x 8		25		18	22	9.2	6.0	231 110 015
	C5		28					351 020 005
17 x 11		30		18	24	11.5	8.0	231 110 016
	C5		28					351 020 005
20 x 12.5		30		18	24	13.5	9.0	231 110 017
	C5		28					351 020 005
22 x 14		35		25	30	14.5	10.5	231 110 018
	C9		38					351 020 009
25 x 16		40		25	32	16.5	12.0	231 110 019
	C9		38					351 020 009
32 x 20		60		35	40	21.0	16.0	231 110 020
	C12		60					351 020 012
40 x 25		60		35	40	26.0	21.0	231 110 021
	C12		60					351 020 012

Dimensions in mm



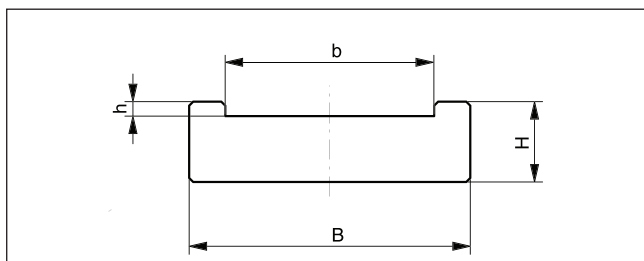
Guides for tooth belts

TYPE FR



Belt type	B	H	b	h	Article no.
25/T5	35	10	26	1.8	231 010 014
32/T5	45	12	33	1.8	231 010 015
25/T10	35	12	26	3.8	231 010 016
32/T10	45	12	33	3.8	231 010 017
50/T10	65	15	51	3.8	231 010 018
75/T10	90	15	76	3.8	231 010 019
100/T10	115	18	101	3.8	231 010 020

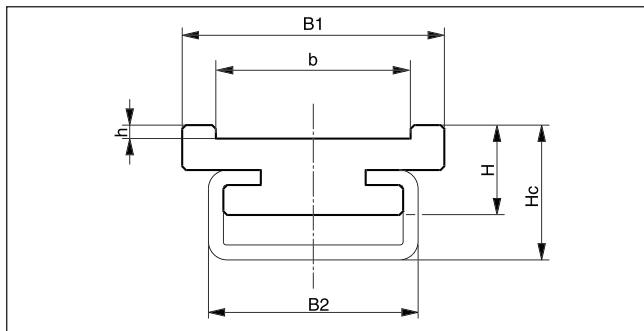
Dimensions in mm



TYPE FRC

Belt type	C profile type	B1	B2	H	Hc	b	h	Article no.
25/T5		35		12	18	26	1.8	231 110 022
	C5		28					351 020 005
32/T5		45		12	18	33	1.8	231 110 023
	C5		28					351 020 005
25/T10		35		15	20	26	3.8	231 110 024
	C5		28					351 020 005
32/T10		45		15	20	33	3.8	231 110 025
	C5		28					351 020 005
50/T10		65		18	20	51	3.8	231 110 026
	C4		50					351 020 004
75/T10		90		18	20	76	3.8	231 110 027
	C6		80					351 020 006
100/T10		115		18	20	101	3.8	231 110 028
	C6		80					351 020 006

Dimensions in mm



Guides for tracked tooth belts

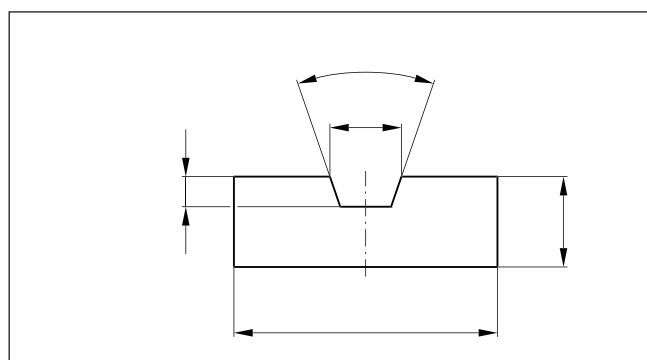
TYPE FK



Belt type	B	H	b	h	Article no.
25/TK5	28	10	6.0	3.5	231 010 021
32/TK5	35	10	6.0	3.5	231 010 022
32/TK10*	35	12	9.5	4.0	231 010 023
50/TK10*	55	12	9.5	4.0	231 010 024
75/TK10	80	15	13.0	5.0	231 010 025
100/TK 10	105	15	13.0	5.0	231 010 026

Dimensions in mm

* Standard for V-profile 10 x6; specify any deviations!



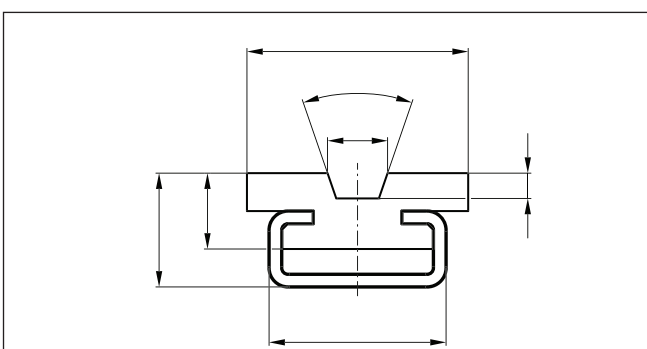
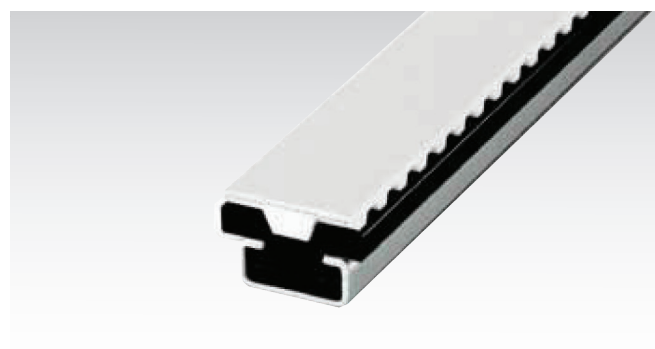
TYPE FKC



Belt type	C profile type	B1	B2	H	Hc	b	h	Article no.
25/TK 5		28		12	18	6.0	3.5	231 110 029
	C5		28					351 020 005
32/TK 5		35		12	18	6.0	3.5	231 110 030
	C5		28					351 020 005
32/TK10*		35		12	18	9.5	4.0	231 110 031
	C5		28					351 020 005
50/TK10*		55		15	18	9.5	4.0	231 110 032
	C4		50					351 020 004
75/TK10		80		15	18	13.0	5.0	231 110 033
	C6		80					351 020 006
100/TK10		105		15	18	13.0	5.0	231 110 034
	C6		80					351 020 006

Dimensions in mm

* Standard for V-profile 10 x6; specify any deviations!





RAIL GUIDES

As insertion and clip profiles

Here, we present a small selection of our wide range of profiles for exemplary purposes. For our full range, see www.murtfeldt.com.

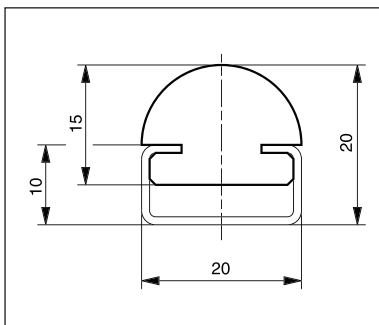


Rail profile	Delivery for	Delivery length in m	Production method	Original Material "S"	Article no.
	profile	2000	milled	green	211 210 001
	C3	2000			351 020 003
Mushroom profile	profile	2000	milled	black antistatic	211 210 002
HR 2020	C3	2000			351 020 003
	profile	2000	extruded	green	211 210 003
	C3	2000			351 020 003

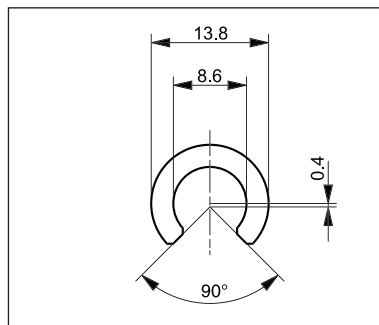
Dimensions in mm Extruded profiles made of Material "S" * Black are not antistatic.

* For milled profiles. Tolerances as per DIN 16941 for extruded profiles.

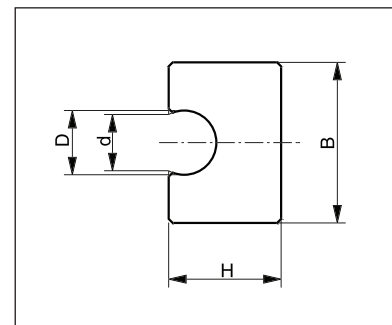
Mushroom profile HR 2020



Snap on 9.5



Square clip-on guides





BANDS



Murtfeldt plastic bands are ideally suited for transporting sensitive goods. They are available in three standard sizes. Intermediate and special dimensions are available on request.

We are happy to advise you on the correct choice of band. Please contact us.

Design

- Either in Original Material "S" Green or Original Material "S" Black Antistatic
- On request: Pre-treatment in the form of scraping and flaming on one side for later adhesion

Special designs

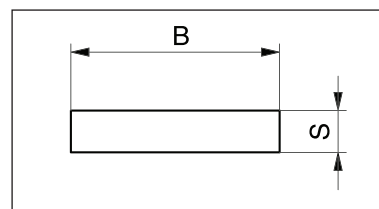
- 6, 8 and 10mm in widths of between 10 and 60mm

Applications

- Beverage, packaging, food, and frozen food sectors

Special properties

- Extremely good wear resistance
- High shock and impact resistance



Bands made from Original Material "S" *

Width (B) x thickness (S)	Article no.
15 x 3	171 010 007
18 x 3	171 010 008
20 x 3	171 010 009
22 x 3	171 010 010
25 x 3	171 010 011
30 x 3	171 010 012
35 x 3	171 010 013
40 x 3	171 010 014
45 x 3	171 010 016
50 x 3	171 010 017
60 x 3	171 010 019
70 x 3	171 010 020
80 x 3	171 010 021
90 x 3	171 010 023
100 x 3	171 010 024
111 x 3	171 010 025

Width (B) x thickness (S)	Article no.
20 x 4	171 010 026
25 x 4	171 010 027
30 x 4	171 010 028
40 x 4	171 010 030
50 x 4	171 010 032

Width (B) x thickness (S)	Article no.
15 x 5	171 010 034
18 x 5	171 010 035
20 x 5	171 010 036
22 x 5	171 010 037
25 x 5	171 010 038
30 x 5	171 010 039
35 x 5	171 010 040
40 x 5	171 010 041
45 x 5	171 010 042
50 x 5	171 010 043
60 x 5	171 010 044

* Tolerances: Thickness ± 0.1 / width ± 0.5 . Roll length on request

CHAIN AND BELT MONITORS

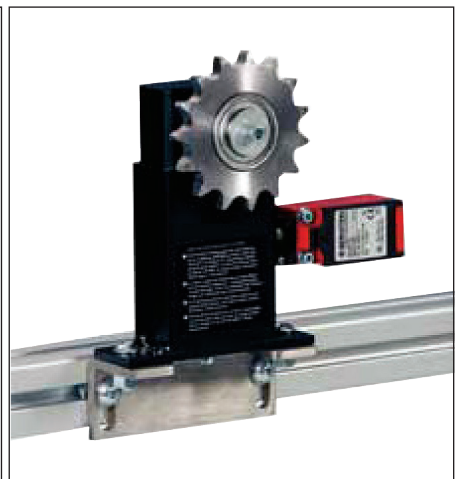
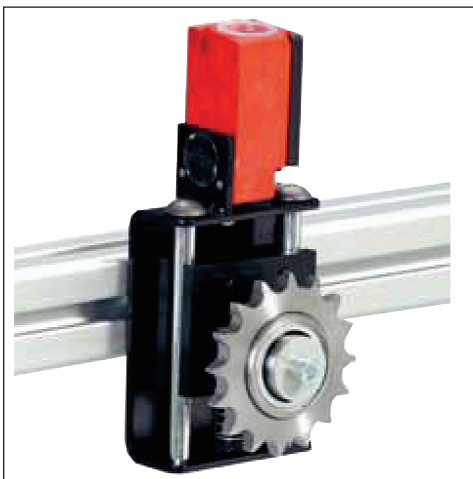
If a chain has excessive elongation or a break, critical damage can occur. Our chain and belt monitors track the production process and trigger the automatic shutdown of the machine if malfunctions occur. For this purpose, a mechanical limit switch or contact-free inductive switch is integrated into your chain or belt tensioner.

Both individual and reliable

Switch design requirements can vary greatly. Please contact us for more information. We will design the best solution for your requirements.

Inductive switches for Spann-Box®

Alternatively, a contact-free inductive switch can be used. This makes sense if there is a risk of explosion or contamination. Concerns about wear might also result in the use of an inductive switch. Inductive switches can be used for Spann-Box® size 1 and 2. Special models and designs in stainless steel are available on request.



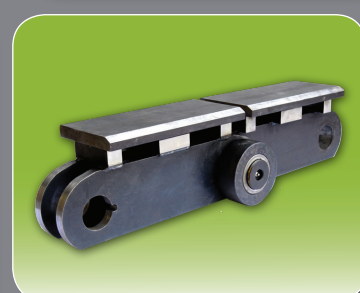
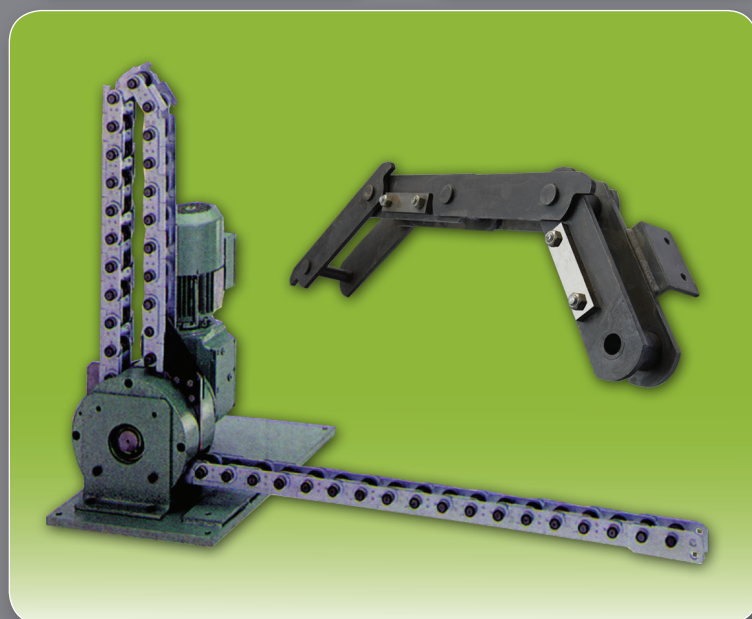
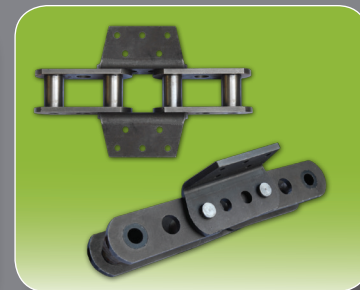
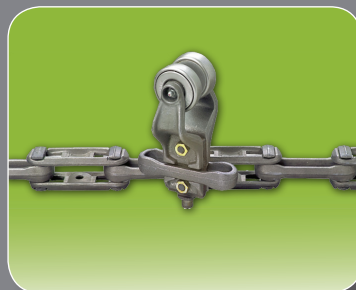


View on products in our range Special customer-made

(please consult us with drawings and samples)

This publication is protected by copyright and may not be reproduced in whole or in part without the prior, written permission of the manufacturer.

The technical specifications in this catalogue are subject to change without prior notice. We are not responsible for any printing errors or typing mistakes.





BOGAERT TRANSMISSION

Industriepark
Neringstraat 5 - 7
1840 Londerzeel (Belgium)
Tel. +32 (0) 52-750410
Fax +32 (0) 52-750460
bt@bogaert-transmission.com



GEHA INDUSTRIES

Division of Bogaert Transmission
Industriepark
Neringstraat 5 - 7
1840 Londerzeel (Belgium)
Tel. +32 (0) 52-750420
Fax +32 (0) 52-750470
geha@bogaert-transmission.com



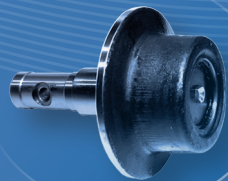
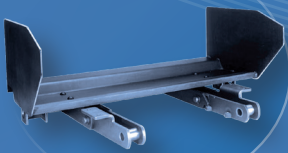
BMCS / LEGENDRE CHAINS

Division of Bogaert Transmission
Industriepark
Neringstraat 5 - 7
1840 Londerzeel (Belgium)
Tel. +32 (0) 52-750430
Fax +32 (0) 52-750480
bmcs@bogaert-transmission.com



DENDERBELTING

Division of Bogaert Transmission
Industriepark
Neringstraat 5 - 7
1840 Londerzeel (Belgium)
Tel. +32 (0) 52-750435
Fax +32 (0) 52-750485
db@bogaert-transmission.com



Flanders Investment & Trade
Government of Flanders - Belgium

